

HINGES

VENT SIZE AND WEIGHT CHART - DEFENDER® Egress/Easy Clean Hinges

| Hinge Code (Top Hung) | Max. Vent Weight (Kg) | Min. Vent Width (mm) | Max. Vent Width (mm) | Opening Angle (+/- 2.5°) |
|--------------------------|--------------------------|-------------------------|-------------------------|--------------------------------|
| EDSE12 | 22 | 300 | 600 | 80° |
| EDSE16 | 24 | 400 | 700 | 90° |

Note: Vent width is measured from rebate to rebate (not overall size or outer frame size) on conventional windows or glass size on structurally glazed windows e.g. curtain wall panels whichever is the greater dimension. For maximum vent heights not stated, consult profile manufacturers for recommendations on requirements of system strength and sealing.

Note: Above sizes/weights also apply to **DEFENDER®** Egress/Easy Clean Hinge Variants - H6/H7 (Highline).

It is the responsibility of the user to ensure that this document is at the latest issue.

Due to our policy of continual product improvement we reserve the right to alter specifications without notice.

It is the responsibility of the window manufacturer to ensure that the finished window meets the required performance and safety specification.



HINGES

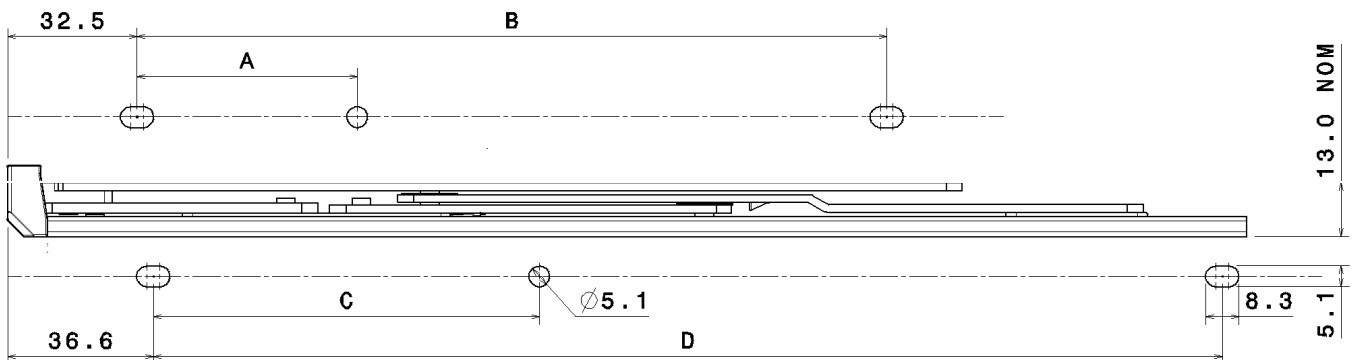
FITTING INSTRUCTIONS: Fixing Hole References

Fixing Hole Centre Reference Chart - DEFENDER® Egress/Easy Clean Hinges

EDSE - Defender Egress/Easy Clean Side Hung

Dimensions

| Description | A | B | C | D |
|-------------|-------|--------|------|-------|
| EDSE12 | 55.25 | 188.25 | 96.9 | 268.4 |
| EDSE16 | 108.8 | 322.5 | 96.9 | 370.0 |



Not to Scale, All dimensions in mm

It is the responsibility of the user to ensure that this document is at the latest issue.

Due to our policy of continual product improvement we reserve the right to alter specifications without notice.

It is the responsibility of the window manufacturer to ensure that the finished window meets the required performance and safety specification.



HINGES

FITTING INSTRUCTIONS: Fixing Hole References

Fixing Hole Centre Reference Chart - DEFENDER® Egress/Easy Clean Highline Hinges

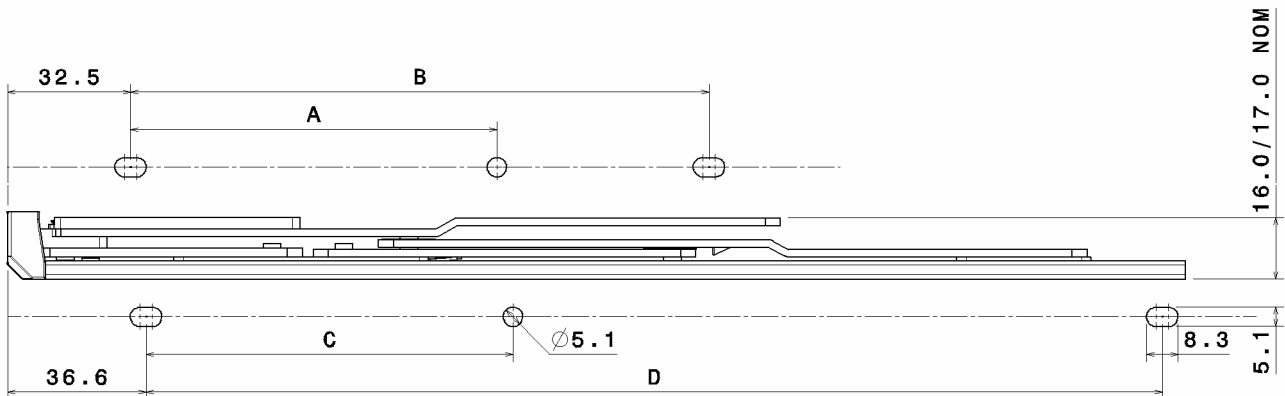
EDSE - Defender Egress/Easy Clean Side Hung

H6 - 16mm Stack Height

H7 - 17mm Stack Height

Dimensions

| Description | A | B | C | D |
|-------------|--------|--------|------|-------|
| EDSE12H6/H7 | 96.75 | 152.75 | 96.9 | 268.4 |
| EDSE16H6/H7 | 152.75 | 220.5 | 96.9 | 370.0 |



Not to Scale, All dimensions in mm

It is the responsibility of the user to ensure that this document is at the latest issue.

Due to our policy of continual product improvement we reserve the right to alter specifications without notice.

It is the responsibility of the window manufacturer to ensure that the finished window meets the required performance and safety specification.

