

HINGES

VENT SIZE AND WEIGHT CHART - DEFENDER® Hinges

Hinge Code (Top Hung)	Max. Vent Weight (Kg)	Min. Vent Height (mm)	Max. Vent Height (mm)	Max. Vent Width (mm)	Opening Angle (+/- 2.5°)
EDT6	10	150	300	-	50°
ED8	12	200	350	-	65°
EDT10	16	275	400	-	80°
EDT12	20	350	550	-	80°
EDT16	21	500	780	-	80°
EDT20	26	700	1100	-	50°
EDT24	40	850	1300	-	37.5°
EDTH24	50	850	1500	-	27°
Hinge Code (Side Hung)		Min. Vent Width (mm)			
ED8	18	200	-	400	65°
EDS12	22	300	-	600	60°
EDS16	24	400	-	700	60°
EDSH16A	40	700	-	1000	60°

Note: Vent height/width is measured from rebate to rebate (not overall size or outer frame size) on conventional windows or glass size on structurally glazed windows e.g. curtain wall panels whichever is the greater dimension. For maximum vent height and widths not stated, consult profile manufacturers for recommendations on requirements of system strength and sealing.

Note: Above sizes/weights also apply to **DEFENDER®** Hinge Variants - H6/H7 (Highline), -TV (Timber Variant - standard stack height only) & S (Slimline - standard stack height only).

It is the responsibility of the user to ensure that this document is at the latest issue.

Due to our policy of continual product improvement we reserve the right to alter specifications without notice.

It is the responsibility of the window manufacturer to ensure that the finished window meets the required performance and safety specification.



HINGES

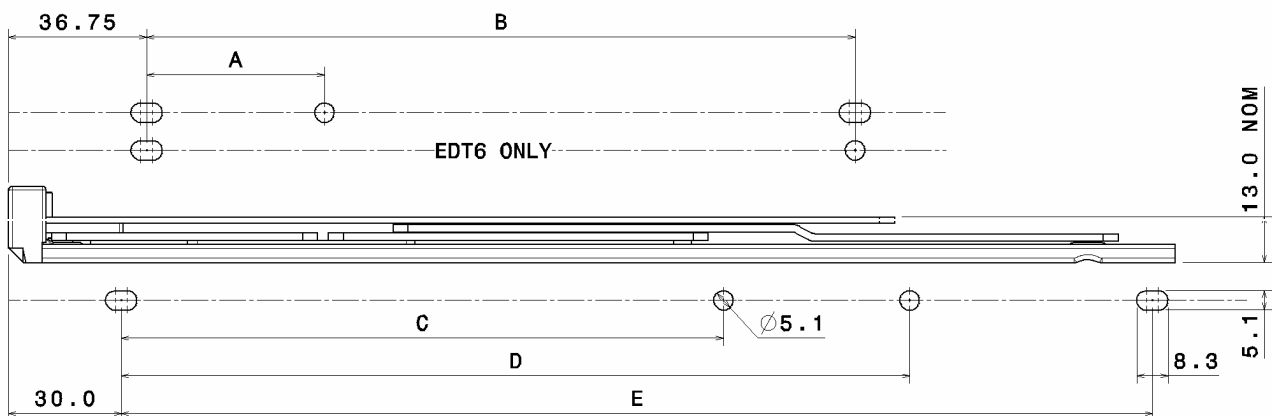
FITTING INSTRUCTIONS: Fixing Hole References

Fixing Hole Centre Reference Chart - DEFENDER® Standard Hinges

- ED - Defender Universal
- EDT - Defender Top Hung
- EDS - Defender Side Hung

Dimensions

Description	A	B	C	D	E
EDT6	-	95.0	-	-	122.6
ED8	18.2	118.6	141.0	-	172.5
EDT10	32.25	152.75	179.9	-	223.2
EDT12	47.25	188.25	209.5	-	274.0
EDT16	106.0	228.6	281.2	-	375.6
EDT20	170.5	271.75	246.8	-	477.2
EDT24	220.5	322.5	195.0	-	578.8
EDTH24	220.5	322.5	195.0	-	578.8
EDS12	230.8	245.0	195.0	-	274.0
EDS16	106.0	322.5	209.5	327.0	375.6



Not to Scale, All dimensions in mm

It is the responsibility of the user to ensure that this document is at the latest issue.

Due to our policy of continual product improvement we reserve the right to alter specifications without notice.

It is the responsibility of the window manufacturer to ensure that the finished window meets the required performance and safety specification.



HINGES

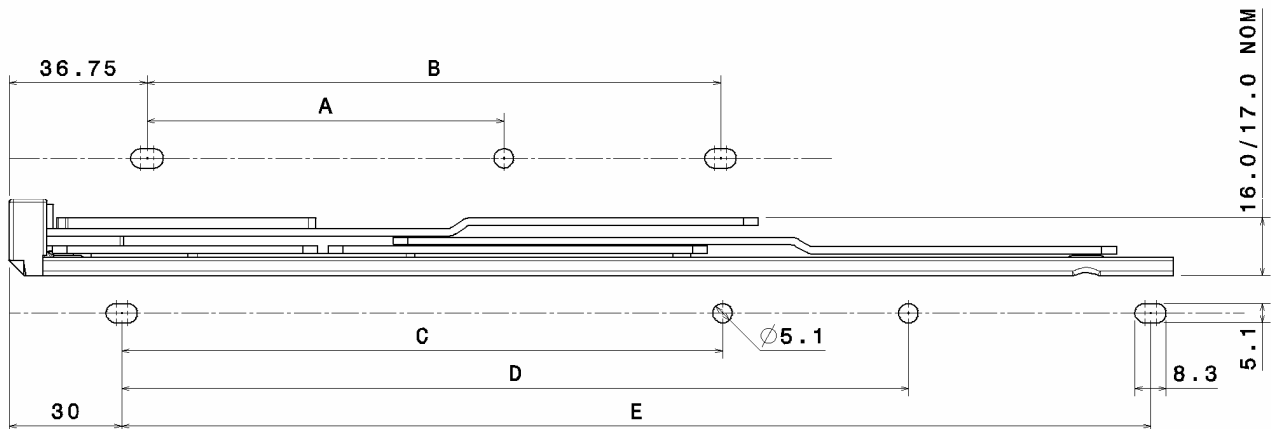
FITTING INSTRUCTIONS: Fixing Hole References

Fixing Hole Centre Reference Chart - DEFENDER® Highline Hinges

- ED - Defender Universal
- EDT - Defender Top Hung
- EDS - Defender Side Hung
- H6 - 16mm Stack Height
- H7 - 17mm Stack Height

Dimensions

Description	A	B	C	D	E
ED8H6/H7	18.2	95.0	141.0	-	172.5
EDT10H6/H7	18.2	119.6	179.9	-	223.2
EDT12H6/H7	95.0	152.75	209.5	-	274.0
EDT16H6/H7	152.75	220.5	281.2	-	375.6
EDT20H6/H7	220.5	271.75	246.8	-	477.2
EDT24H6/H7	271.75	322.5	195.0	-	578.8
EDTH24H6/H7	271.75	322.5	195.0	-	578.8
EDS12H6/H7	119.6	188.25	195.0	-	274.0
EDS16H6/H7	152.75	220.5	209.5	327.0	375.6



Not to Scale, All dimensions in mm

It is the responsibility of the user to ensure that this document is at the latest issue.

Due to our policy of continual product improvement we reserve the right to alter specifications without notice.

It is the responsibility of the window manufacturer to ensure that the finished window meets the required performance and safety specification.



Securistyle Ltd.
 Kingsmead Industrial Estate
 Princess Elizabeth Way, Cheltenham,
 Gloucestershire, GL51 7RE
 Tel: +44 (0) 1242 221200
 Fax: +44 (0) 1242 520828
 Web: www.securistyle.co.uk

HINGES

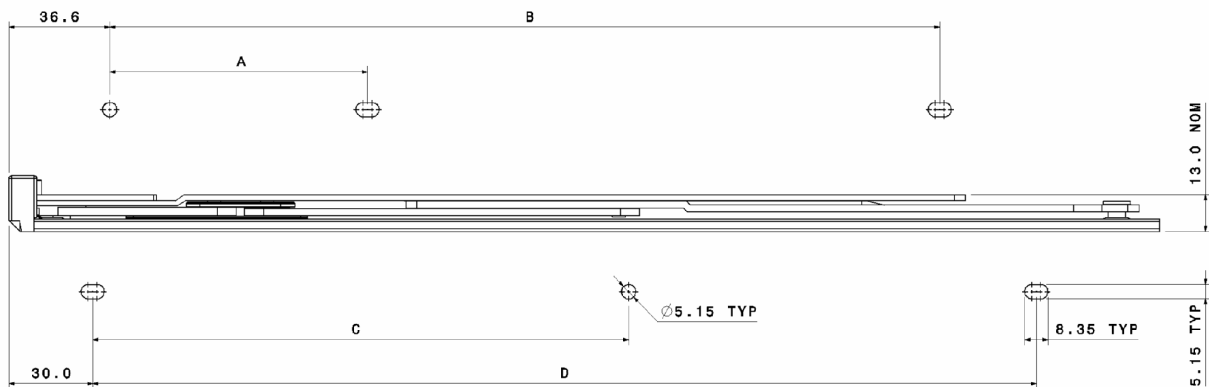
FITTING INSTRUCTIONS: Fixing Hole References

Fixing Hole Centre Reference Chart - DEFENDER® Standard Hinges

EDS - Defender Side Hung

Dimensions

Description	A	B	C	D
EDSH16A	92.3	205	192	338



Not to Scale, All dimensions in mm

It is the responsibility of the user to ensure that this document is at the latest issue.

Due to our policy of continual product improvement we reserve the right to alter specifications without notice.

It is the responsibility of the window manufacturer to ensure that the finished window meets the required performance and safety specification.



HINGES

FITTING INSTRUCTIONS: Fixing Hole References

Fixing Hole Centre Reference Chart - DEFENDER® Highline Hinges

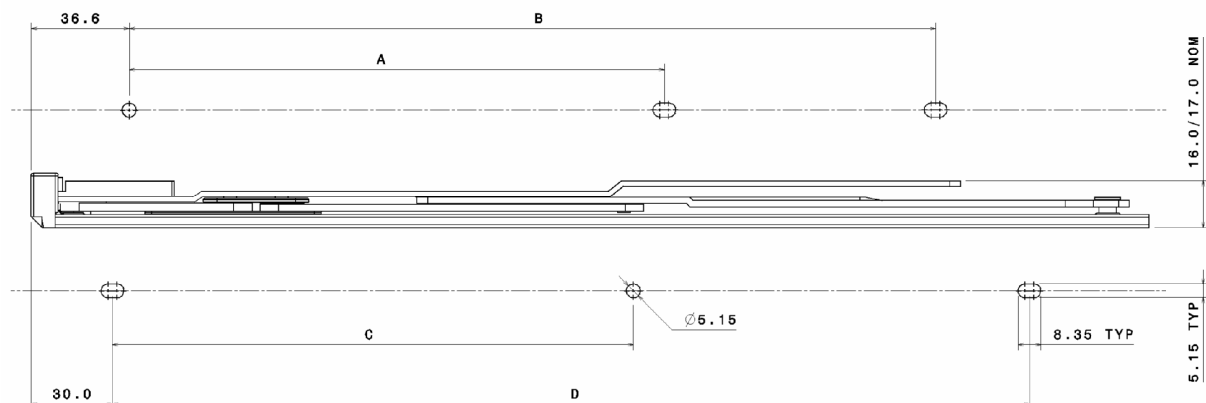
EDS - Defender Side Hung

H6 - 16mm Stack Height

H7 - 17mm Stack Height

Dimensions

Description	A	B	C	D
EDSH16H6A	197.3	297.3	192	338
EDSH16H7A	197.3	297.3	192	338



Not to Scale, All dimensions in mm

It is the responsibility of the user to ensure that this document is at the latest issue.

Due to our policy of continual product improvement we reserve the right to alter specifications without notice.

It is the responsibility of the window manufacturer to ensure that the finished window meets the required performance and safety specification.

