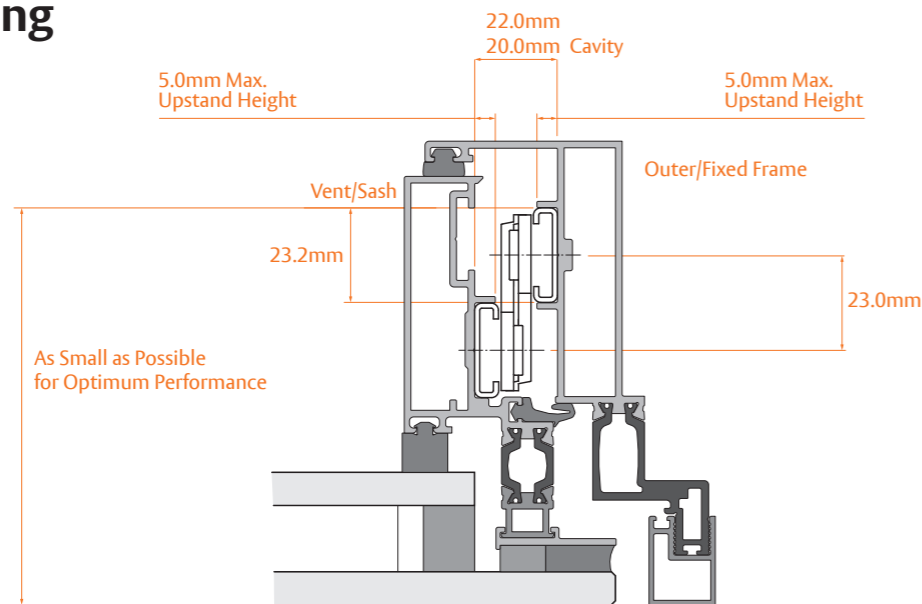


Technical Drawing



Accreditations and affiliations



Council for Aluminium in Buildings
CAB encourages the use of aluminium products in construction.



American Architectural Manufacturers Association
The leading trade association for window, door, skylight, curtain wall and storefront manufacturers and their suppliers in North America.



Council on Tall Buildings & Urban Habitat
The world's leading resource for professionals focused on the design and construction of tall buildings.



Made in Britain
Initiative that champions British manufacturing by encouraging the supply chain of UK-made goods.



The Environmental Product Declaration
Independently verified and registered document that communicates key information about the life-cycle environmental impact of products.



ISO 14001:2015
British Standards Institute certification for the design, development, supply and manufacture of architecture for applications to windows.



ISO 9001
British Standards Institute certification for a quality management system.

Securistyle
Kingsmead Industrial Estate, Princess Elizabeth Way,
Cheltenham, Gloucestershire GL51 7RE
Telephone: +44 (0)1242 221200
www.securistyle.com

Due to a continuous programme of development the company reserves the right to make alterations without notice.
(Products which are not a stocked item will be subject to a longer lead time which needs to be agreed with your Securistyle representative).

© Securistyle November 2018



Parallel Plus

Provides balanced natural ventilation allowing for aesthetically-pleasing sightlines, which maintains the reflective qualities of the façade.

Parallel Plus

Compatible with unconventional vent shapes, superbly versatile and boasting several innovative built-in features, the Parallel Plus provides unbeatable natural ventilation. The result is a balanced air flow around the building, as well as reduced maintenance and running costs, a smaller carbon footprint and less CO₂ build up within the building.

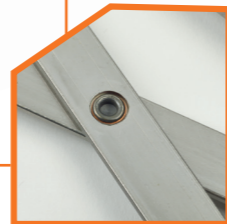
Patented tie bar feature for synchronised operation



Patented adjustable cam feature for parallel alignment

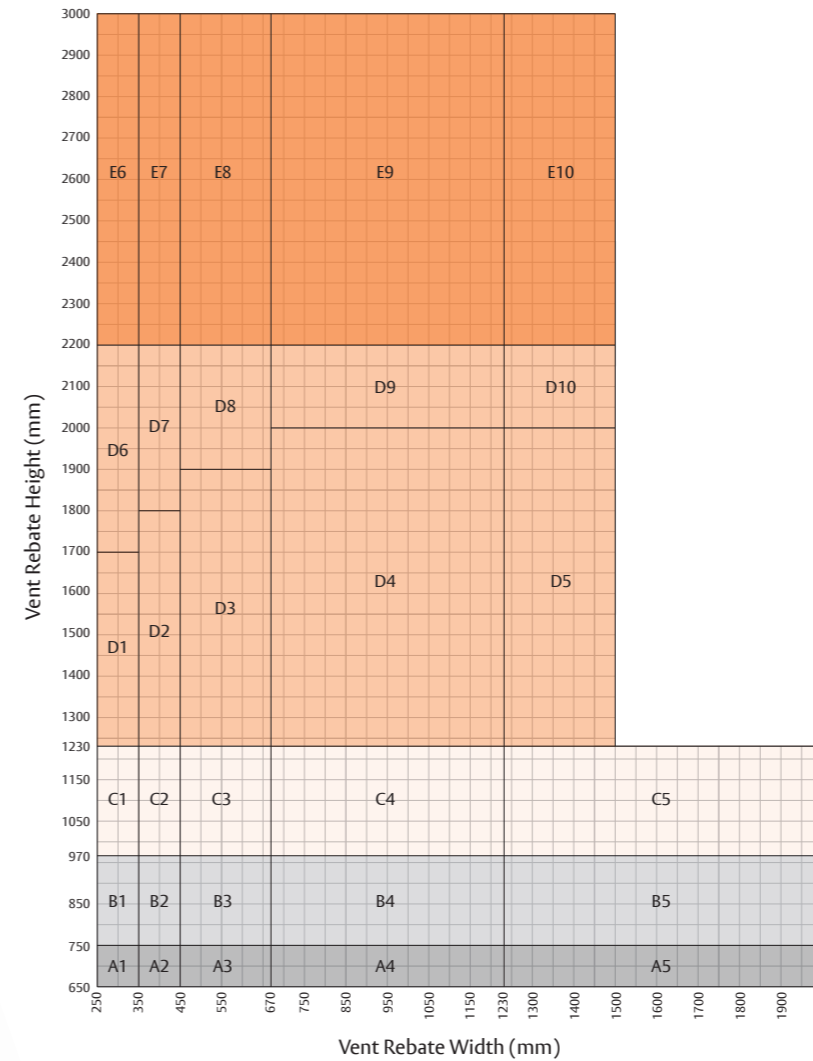


Headed bronze bush for enhanced endurance performance



- Compatibility with motor operation (capacity upon request)
- Hinge can be used on a variety of window shapes including square, triangular and hexagonal
- Product specific EPD available
- Manual operation up to 200kg

Hinge Selection for manually operated vents



Specification

- QMark Certified – 020/001
- Tested in accordance with AAMA 904, AAMA 910, BS 6375-2, JG/T 433 and EN 1670
- Manufactured from Austenitic 304 stainless steel for high corrosion resistance. 316 MarineTek range available on request
- AAMA 904 - Specification for Multi-Bar Hinges in Window Applications
- AAMA 910 - Life Cycle Specifications and Test Methods for AW Class Architectural Windows and Doors
- BS 6375-2 classification for operation and strength characteristics and guidance on selection and specification
- JG/T 433 - Parallel hinges used in curtain wall windows
- Tested to BS EN 1670 - Grade 5 Corrosion resistance 480 hours
- Endurance tested to 20,000 cycles
- 12 Year Guarantee

Note: For manually operated vents outside these parameters, please contact the customer service department on 01242 221200.

	Side Mounted Hinges				Control Stays		
	Left Side	Right Side	Stops	Max. Weight	Top	Bottom	
A	1 x PX0350L	1 x PX0350R	2 x C8700	100kg	1	1 x PX0250R	-
B	1 x PX0450L	1 x PX0450R	2 x C8571	100kg	2	1 x PX0350R	-
C	1 x PX0670L	1 x PX0670R	2 x C8688	200kg	3	1 x PX0450R	-
D	1 x PX0950L	1 x PX0950R	2 x C8571	200kg	4	1 x PX0670R	-
E	2 x PX0950L	2 x PX0950R	4 x C8571	200kg	5	1 x PX0950R	-
					6	1 x PX0250R	1 x PX0250R
					7	1 x PX0350R	1 x PX0350R
					8	1 x PX0450R	1 x PX0450R
					9	1 x PX0670R	1 x PX0450R
					10	1 x PX0950R	1 x PX0450R

Note: When using PX0250R control stays, replace C8571 stops with C8701 stops. Maximum opening motion of parallel hinges = 150mm, with the exception of PX0250 which has a maximum opening motion of 120mm.