

DEFENDER EGRESS



Friction hinge for
emergency exit

DEFENDER EGRESS

FRICITION HINGE FOR
EMERGENCY EXIT WITH
EASY CLEANING FACILITY

- **New Self Lubricating PTFE based coating** on end cap provides smooth closing
- Allows casement windows to open to a full 90° for emergency exit to comply with the British Standard BS5588 Part 1: 1990 and Building Regulations Approved Document B for fire escape windows Δ
- **New Composite Slider with stainless steel release lever mechanism** allows cleaning access from the inside of the building to comply with BS8213-Part 1:2004
- Automatically resets to the fire escape mode when the window is closed
- Available in ferritic 430* and austenitic 304* stainless steel for enhanced corrosion resistance
- 10 year guarantee (details available upon request)



▼ FULLY OPEN
Maximum 90° opening angle



▼ RELEASE MECHANISM
Resets to normal mode after cleaning



Δ Compliant with FENSA requirements
 * Standard Ferritic (was 430) steel to BS EN ISO 10088/2 Grade 1.4016 or Austenitic (was 304) stainless steel to BS EN ISO 10088/2 Grade 1.4301 for enhanced corrosion resistance.



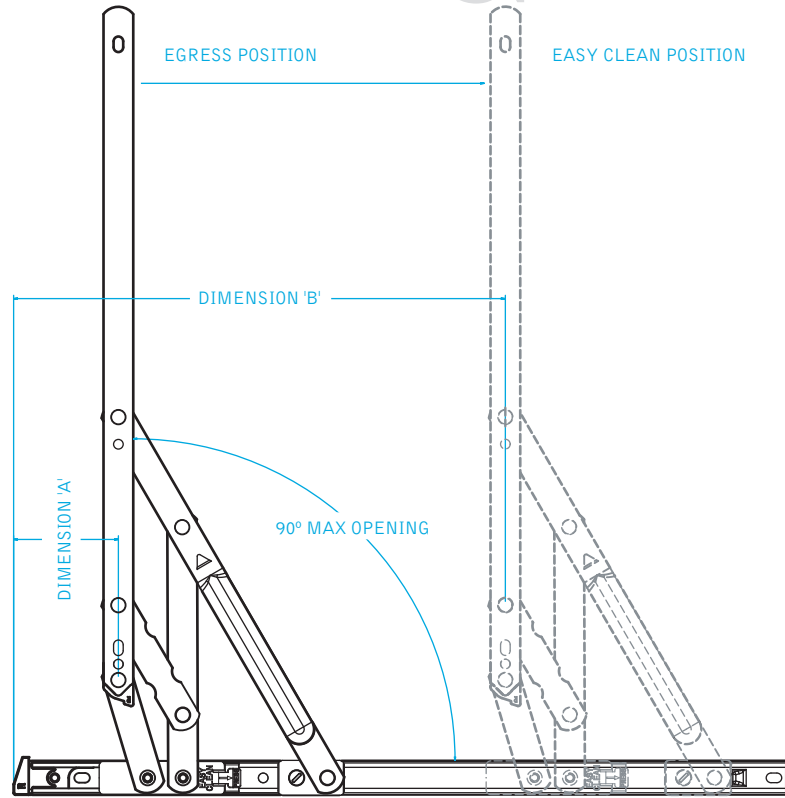
DEFENDER EGRESS

Product Specification

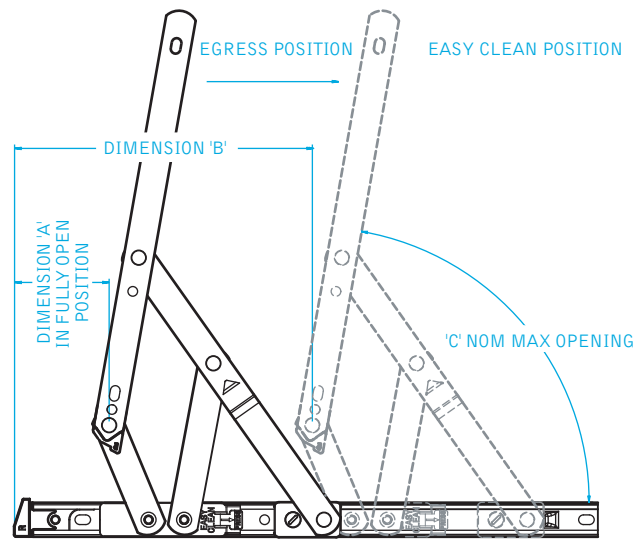
PRODUCT SPECIFICATION

- New slot hole slot format will provide the ability to adjust the vent more easily
- Die cast support plate in bottom slider ensures consistent performance
- New screw fixing in the centre of the track, thus reducing vent drop
- 12" side hung, easy clean version also available, opening to 80°
- Drilling jigs for all sizes are available to order

Note: Specific Egress pull-in wedges should be used with this hinge.



HINGE SIZE- 413mm NOM (16")
 16" SIDE HUNG EASY CLEAN DEFENDER HINGE



HINGE SIZE-310mm NOM (12")
 12" SIDE HUNG EASY CLEAN DEFENDER HINGE

DEFENDER EGRESS

Hinge Size (Side Hung) (in/mm)	Max Vent Weight (Kg)	Max Vent Width (mm)	Min Vent Width (mm)	Dimension 'A' (mm)	Dimension 'B' (mm)	Max. Opening Angle 'C' (+/- 2.5°)
12/310	22	600	300	54	163	80°
16/413	24	700	400	57	268	90°



Due to our policy of continual improvement we reserve the right to alter specifications without notice. It is the responsibility of the window manufacturer to ensure that the finished window meets the required performance and safety specification.

All transactions are subject to our standard conditions of supply, which are available on request.