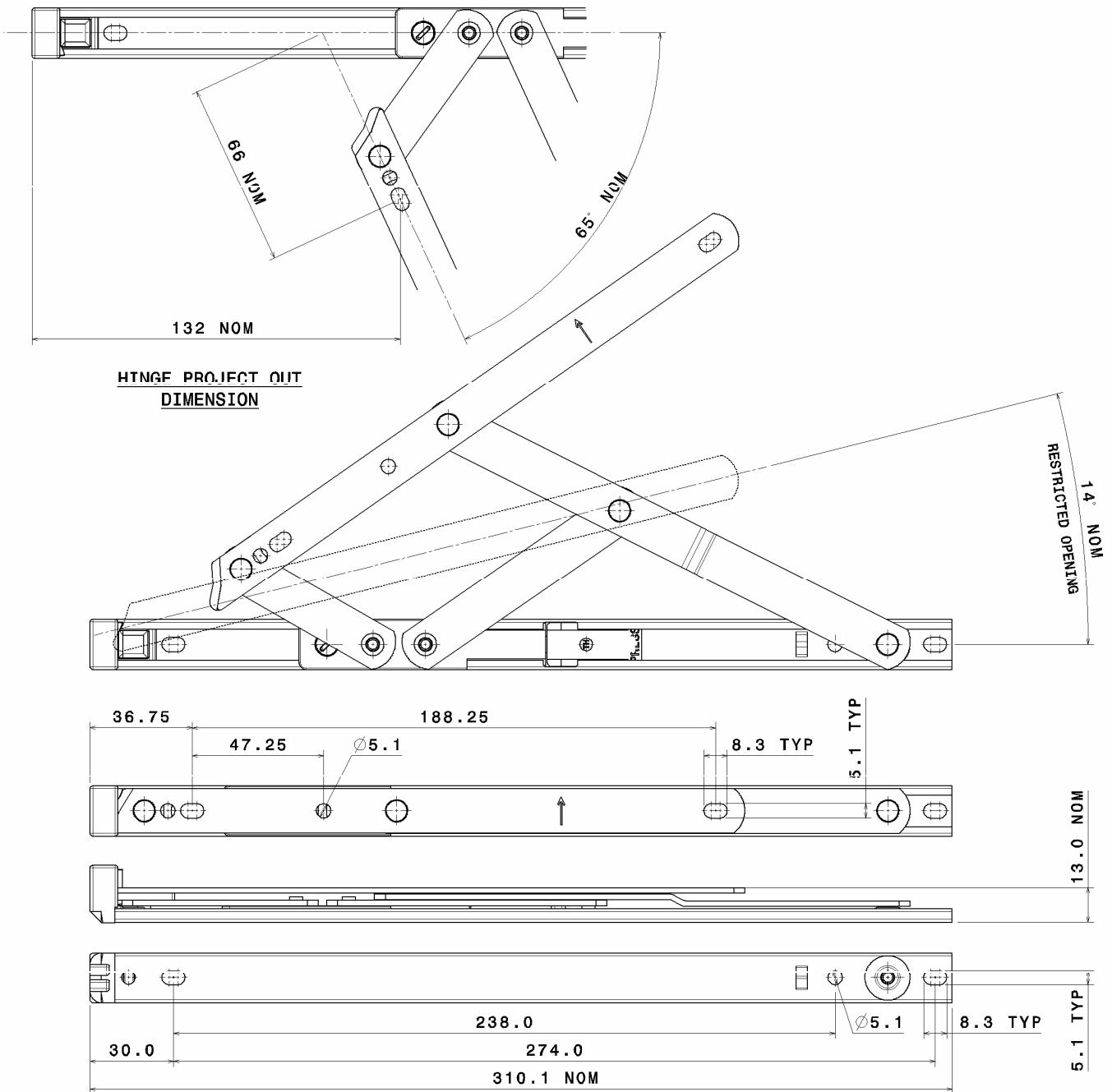


HINGES

ASSEMBLY SHEET - EDTR12 Top Hung Restricted Hinge



Hinge Code	Max. Vent Weight (Kg)	Min. Vent Height (mm)	Max. Vent Height (mm)	Max. Vent Width (mm)	Hardware Cavity (mm)
EDTR12	20	350	550	See profile manufacturers recommendations	13 - 14

Not to Scale, All dimensions in mm

It is the responsibility of the user to ensure that this document is at the latest issue.

Due to our policy of continual product improvement we reserve the right to alter specifications without notice.

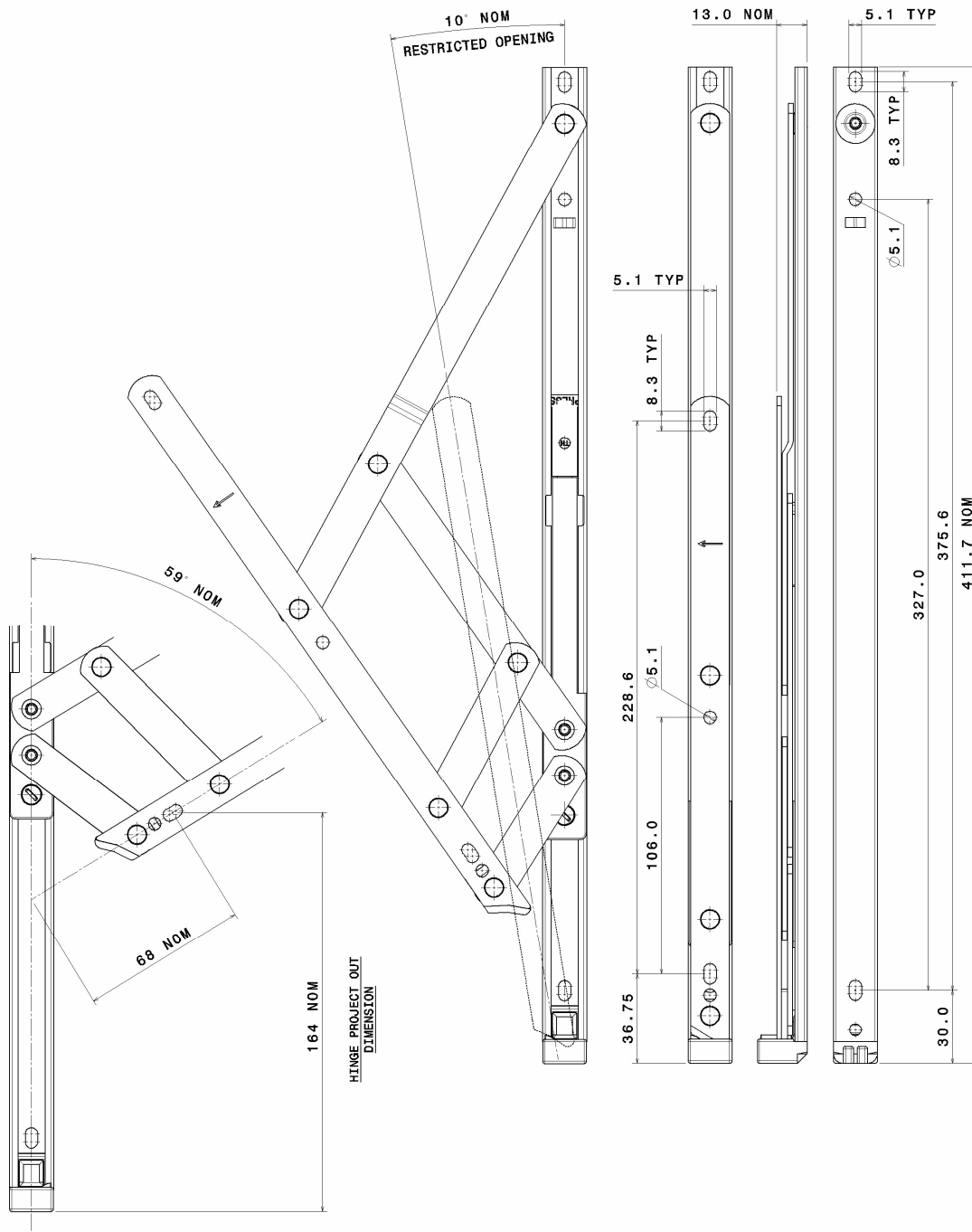
It is the responsibility of the window manufacturer to ensure that the finished window meets the required performance and safety specification.



Securistyle Ltd.
Kingsmead Industrial Estate
Princess Elizabeth Way, Cheltenham,
Gloucestershire, GL51 7RE
Tel: +44 (0) 1242 221200
Fax: +44 (0) 1242 520828
Web: www.securistyle.co.uk

HINGES

ASSEMBLY SHEET - EDTR16 Top Hung Restricted Hinge



Hinge Code	Max. Vent Weight (Kg)	Min. Vent Height (mm)	Max. Vent Height (mm)	Max. Vent Width (mm)	Hardware Cavity (mm)
EDTR16	21	500	780	See profile manufacturers recommendations	13 - 14

Not to Scale, All dimensions in mm

It is the responsibility of the user to ensure that this document is at the latest issue.

Due to our policy of continual product improvement we reserve the right to alter specifications without notice.

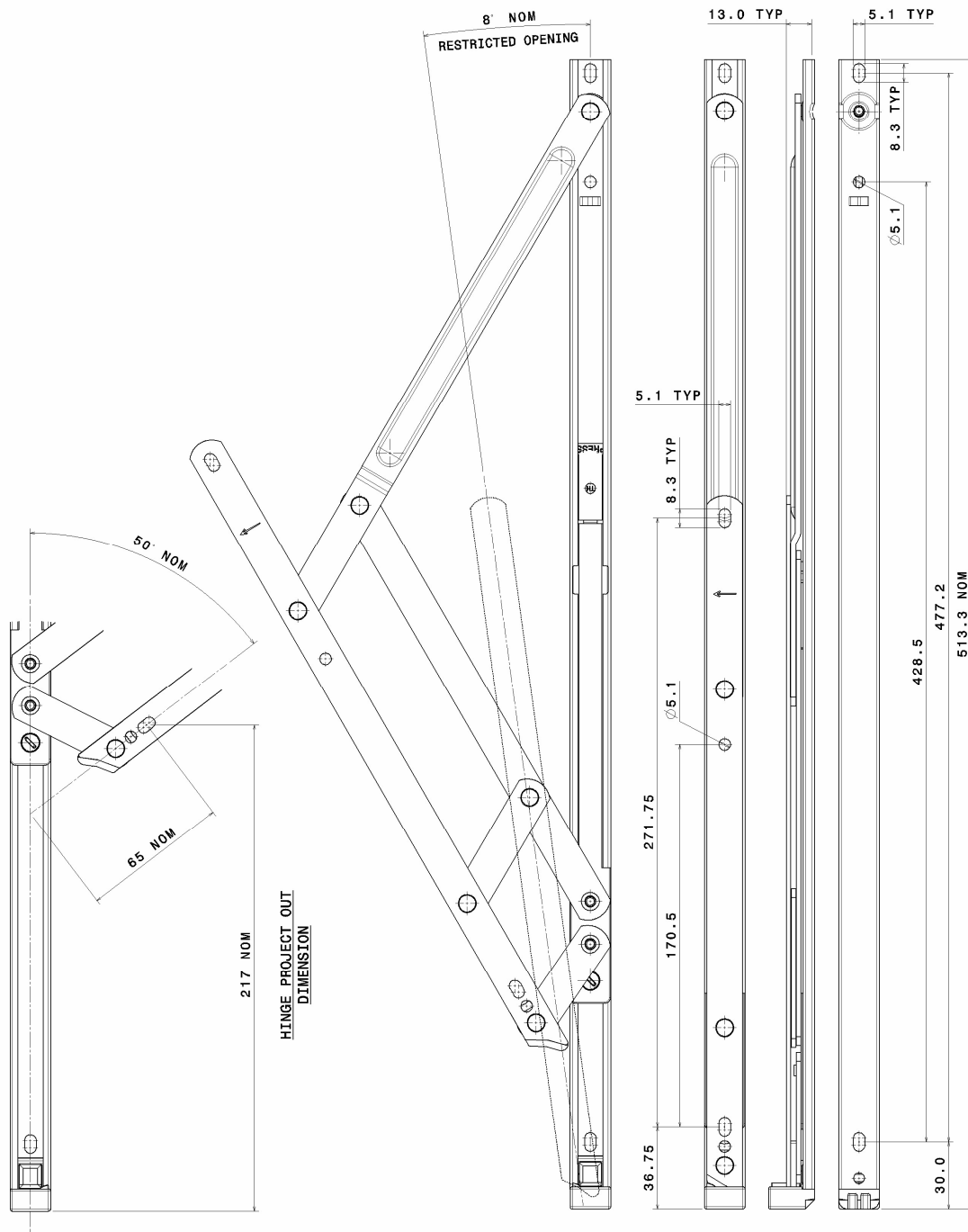
It is the responsibility of the window manufacturer to ensure that the finished window meets the required performance and safety specification.



Securistyle Ltd.
 Kingsmead Industrial Estate
 Princess Elizabeth Way, Cheltenham,
 Gloucestershire, GL51 7RE
 Tel: +44 (0) 1242 221200
 Fax: +44 (0) 1242 520828
 Web: www.securistyle.co.uk

HINGES

ASSEMBLY SHEET - EDTR20 Top Hung Restricted Hinge



Hinge Code	Max. Vent Weight (Kg)	Min. Vent Height (mm)	Max. Vent Height (mm)	Max. Vent Width (mm)	Hardware Cavity (mm)
EDTR20	26	700	1100	See profile manufacturers recommendations	13 - 14

Not to Scale, All dimensions in mm

It is the responsibility of the user to ensure that this document is at the latest issue.

Due to our policy of continual product improvement we reserve the right to alter specifications without notice.

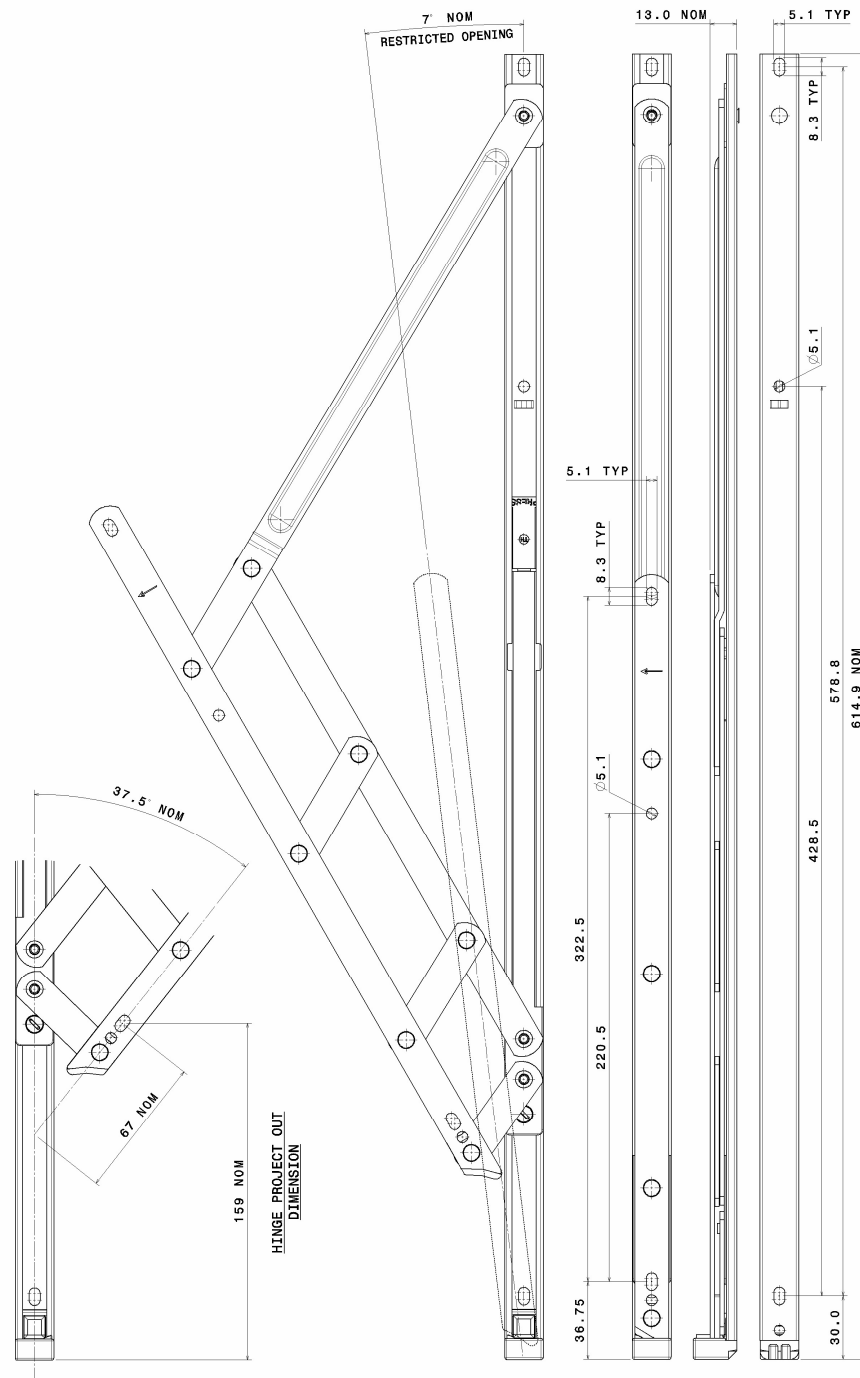
It is the responsibility of the window manufacturer to ensure that the finished window meets the required performance and safety specification.



Securistyle Ltd.
Kingsmead Industrial Estate
Princess Elizabeth Way, Cheltenham,
Gloucestershire, GL51 7RE
Tel: +44 (0) 1242 221200
Fax: +44 (0) 1242 520828
Web: www.securistyle.co.uk

HINGES

ASSEMBLY SHEET - EDTR24 Top Hung Restricted Hinge



Hinge Code	Max. Vent Weight (Kg)	Min. Vent Height (mm)	Max. Vent Height (mm)	Max. Vent Width (mm)	Hardware Cavity (mm)
EDTR24	40	850	1300	See profile manufacturers recommendations	13 - 14

Not to Scale, All dimensions in mm

It is the responsibility of the user to ensure that this document is at the latest issue.

Due to our policy of continual product improvement we reserve the right to alter specifications without notice.

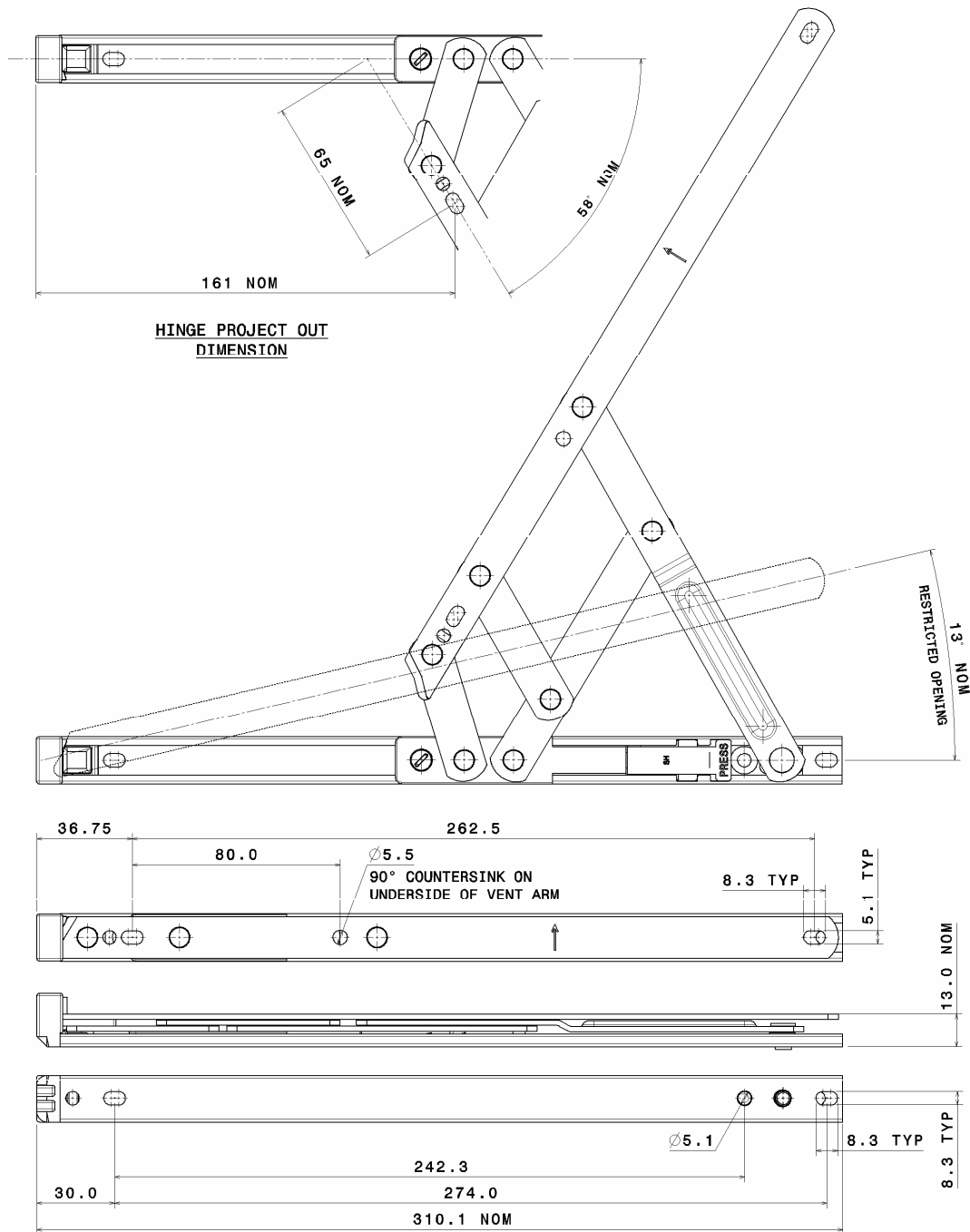
It is the responsibility of the window manufacturer to ensure that the finished window meets the required performance and safety specification.



Securistyle Ltd.
Kingsmead Industrial Estate
Princess Elizabeth Way, Cheltenham,
Gloucestershire, GL51 7RE
Tel: +44 (0) 1242 221200
Fax: +44 (0) 1242 520828
Web: www.securistyle.co.uk

HINGES

ASSEMBLY SHEET - EDSR12 Side Hung Restricted Hinges



Hinge Code	Max. Vent Weight (Kg)	Min. Vent Width (mm)	Max. Vent Width (mm)	Max. Vent Height (mm)	Hardware Cavity (mm)
EDSR12	22	300	600	See profile manufacturers recommendations	13 - 14

Not to Scale, All dimensions in mm

It is the responsibility of the user to ensure that this document is at the latest issue.

Due to our policy of continual product improvement we reserve the right to alter specifications without notice.

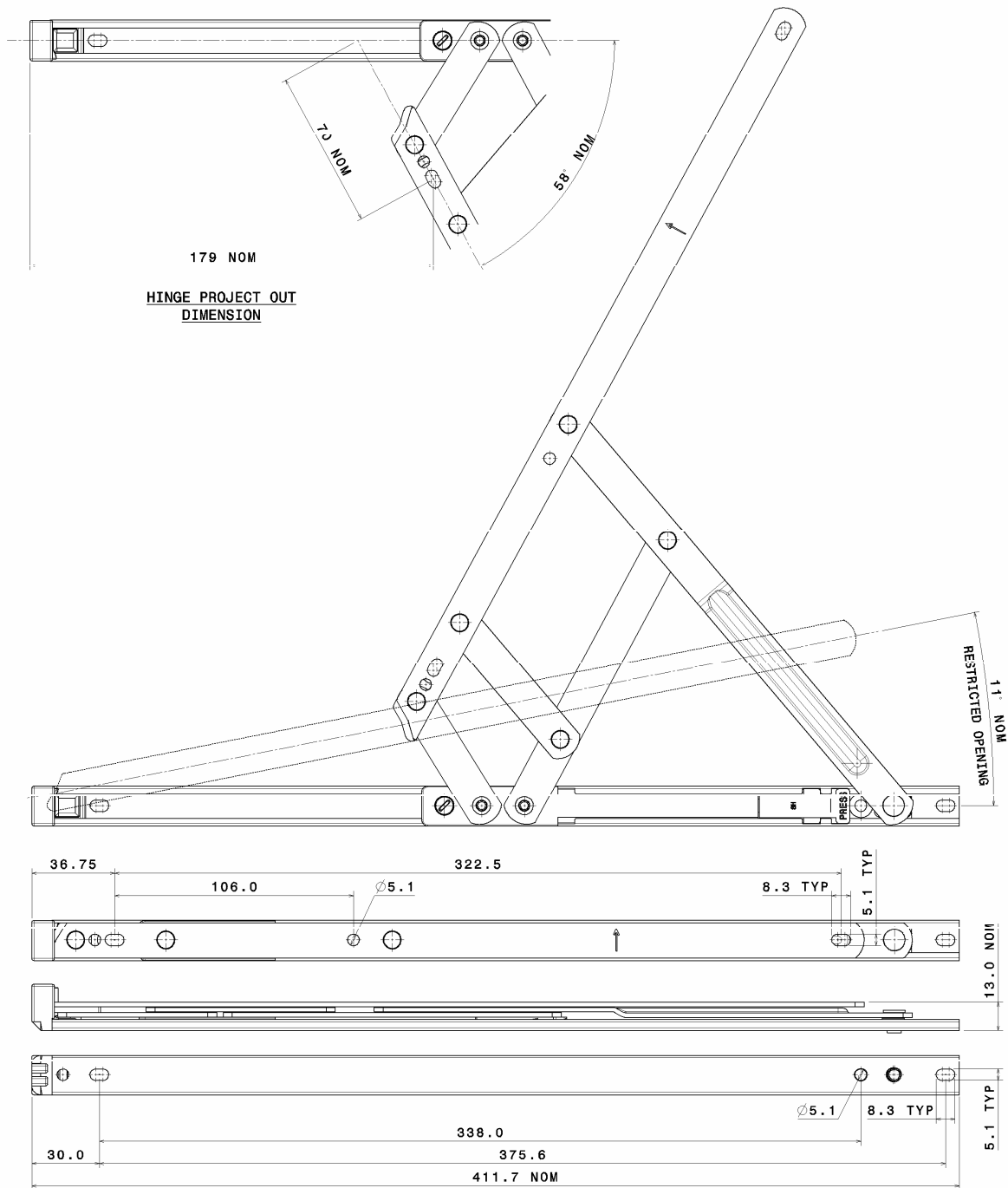
It is the responsibility of the window manufacturer to ensure that the finished window meets the required performance and safety specification.



Securistyle Ltd.
Kingsmead Industrial Estate
Princess Elizabeth Way, Cheltenham,
Gloucestershire, GL51 7RE
Tel: +44 (0) 1242 221200
Fax: +44 (0) 1242 520828
Web: www.securistyle.co.uk

HINGES

ASSEMBLY SHEET - EDSR16 Side Hung Restricted Hinge



Hinge Code	Max. Vent Weight (Kg)	Min. Vent Width (mm)	Max. Vent Width (mm)	Max. Vent Height (mm)	Hardware Cavity (mm)
EDSR16	24	400	700	See profile manufacturers recommendations	13 - 14

Not to Scale, All dimensions in mm

It is the responsibility of the user to ensure that this document is at the latest issue.

Due to our policy of continual product improvement we reserve the right to alter specifications without notice.

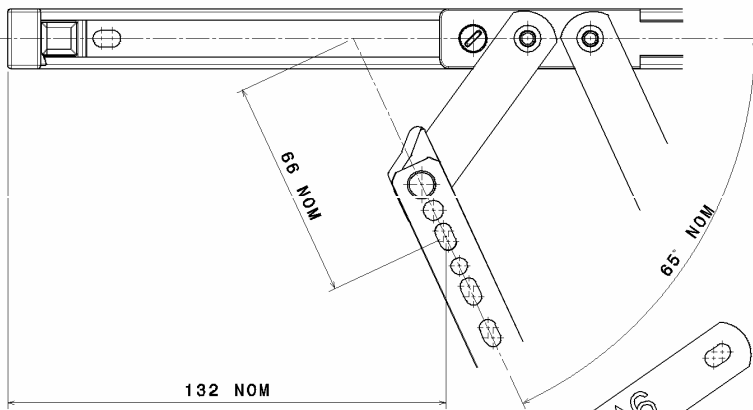
It is the responsibility of the window manufacturer to ensure that the finished window meets the required performance and safety specification.



Securistyle Ltd.
Kingsmead Industrial Estate
Princess Elizabeth Way, Cheltenham,
Gloucestershire, GL51 7RE
Tel: +44 (0) 1242 221200
Fax: +44 (0) 1242 520828
Web: www.securistyle.co.uk

HINGES

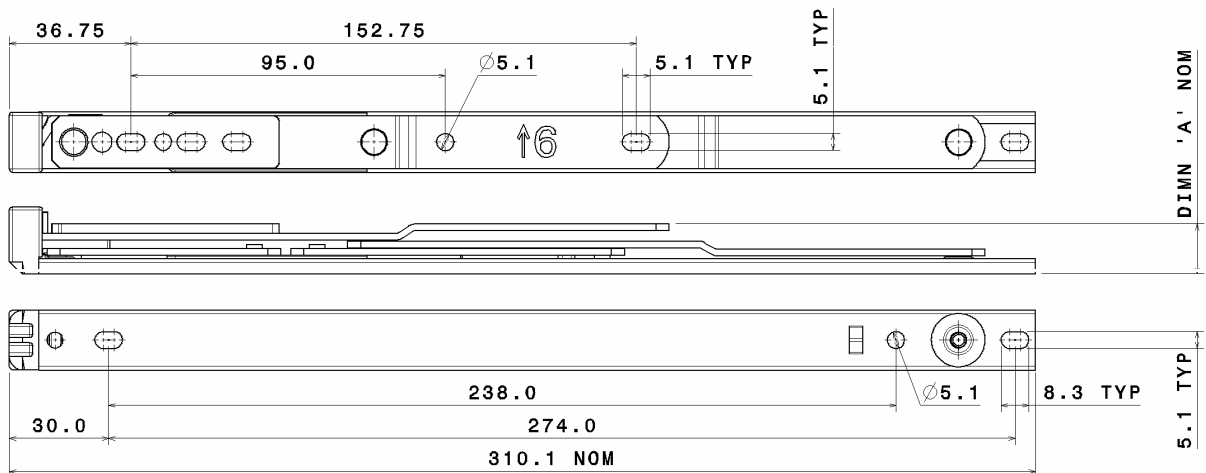
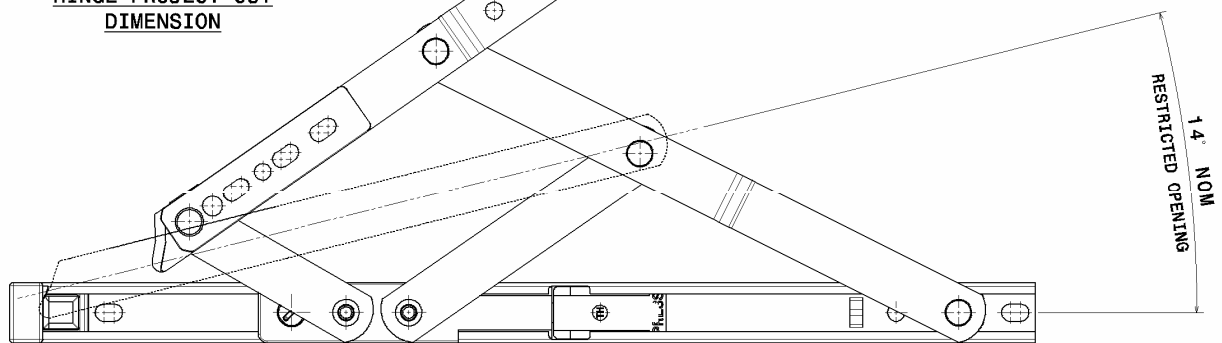
ASSEMBLY SHEET - EDTR12H6/H7 Top Hung Restricted Highline Hinges



HINGE CODE	DIMN 'A'
EDTR12H6	16 MM
EDTR12H7	17 MM

EDTR12H6 SHOWN

HINGE PROJECT OUT
DIMENSION



Hinge Code	Max. Vent Weight (Kg)	Min. Vent Height (mm)	Max. Vent Height (mm)	Max. Vent Width (mm)	Hardware Cavity (mm)
EDTR12H6/H7	20	350	550	See profile manufacturers recommendations	"A" +1/-0

Not to Scale, All dimensions in mm

It is the responsibility of the user to ensure that this document is at the latest issue.

Due to our policy of continual product improvement we reserve the right to alter specifications without notice.

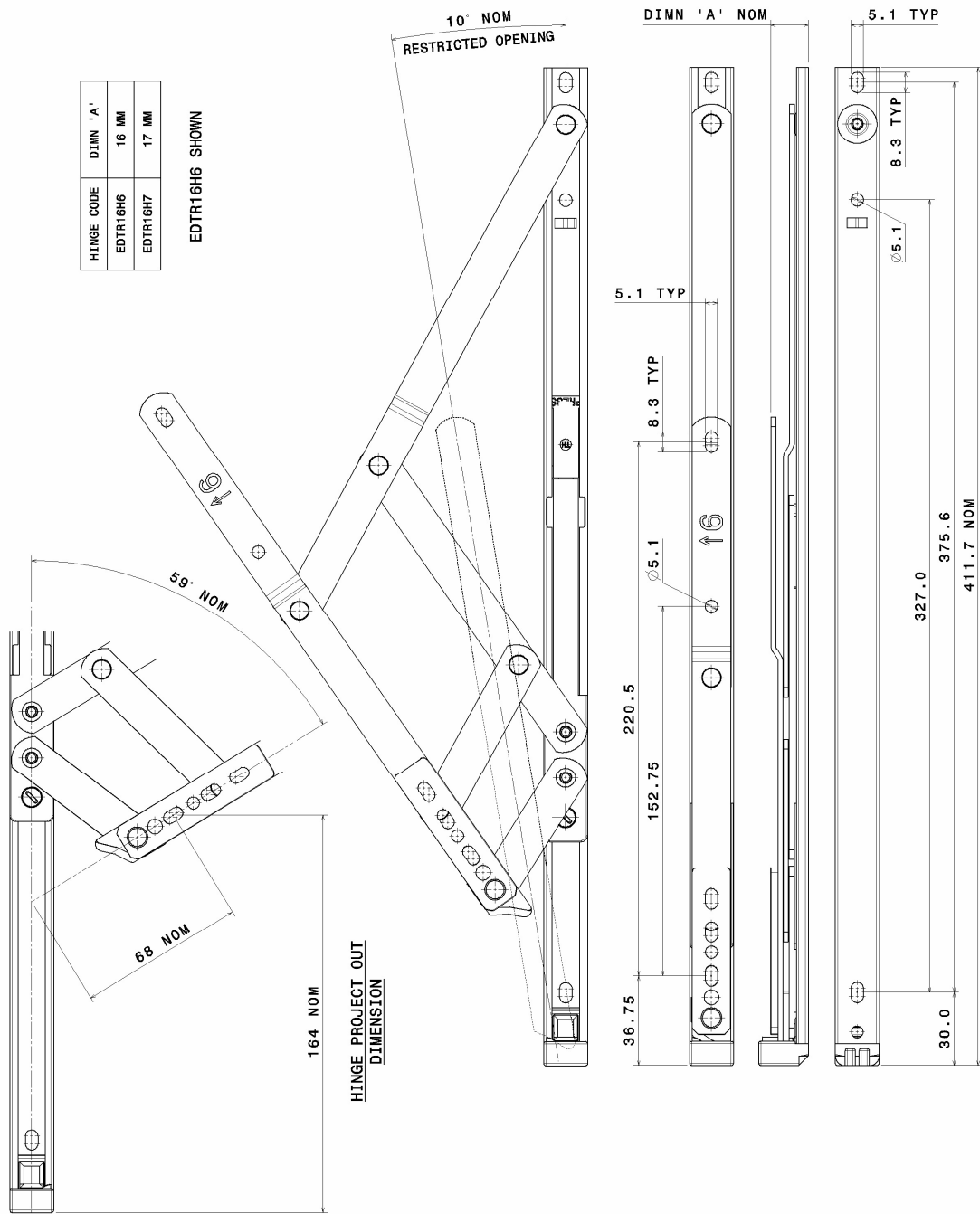
It is the responsibility of the window manufacturer to ensure that the finished window meets the required performance and safety specification.



Securistyle Ltd.
Kingsmead Industrial Estate
Princess Elizabeth Way, Cheltenham,
Gloucestershire, GL51 7RE
Tel: +44 (0) 1242 221200
Fax: +44 (0) 1242 520828
Web: www.securistyle.co.uk

HINGES

ASSEMBLY SHEET - EDTR16H6/H7 Top Hung Restricted Highline Hinges



Hinge Code	Max. Vent Weight (Kg)	Min. Vent Height (mm)	Max. Vent Height (mm)	Max. Vent Width (mm)	Hardware Cavity (mm)
EDTR16H6/H7	21	500	780	See profile manufacturers recommendations	"A" +1/-0

Not to Scale, All dimensions in mm

It is the responsibility of the user to ensure that this document is at the latest issue.

Due to our policy of continual product improvement we reserve the right to alter specifications without notice.

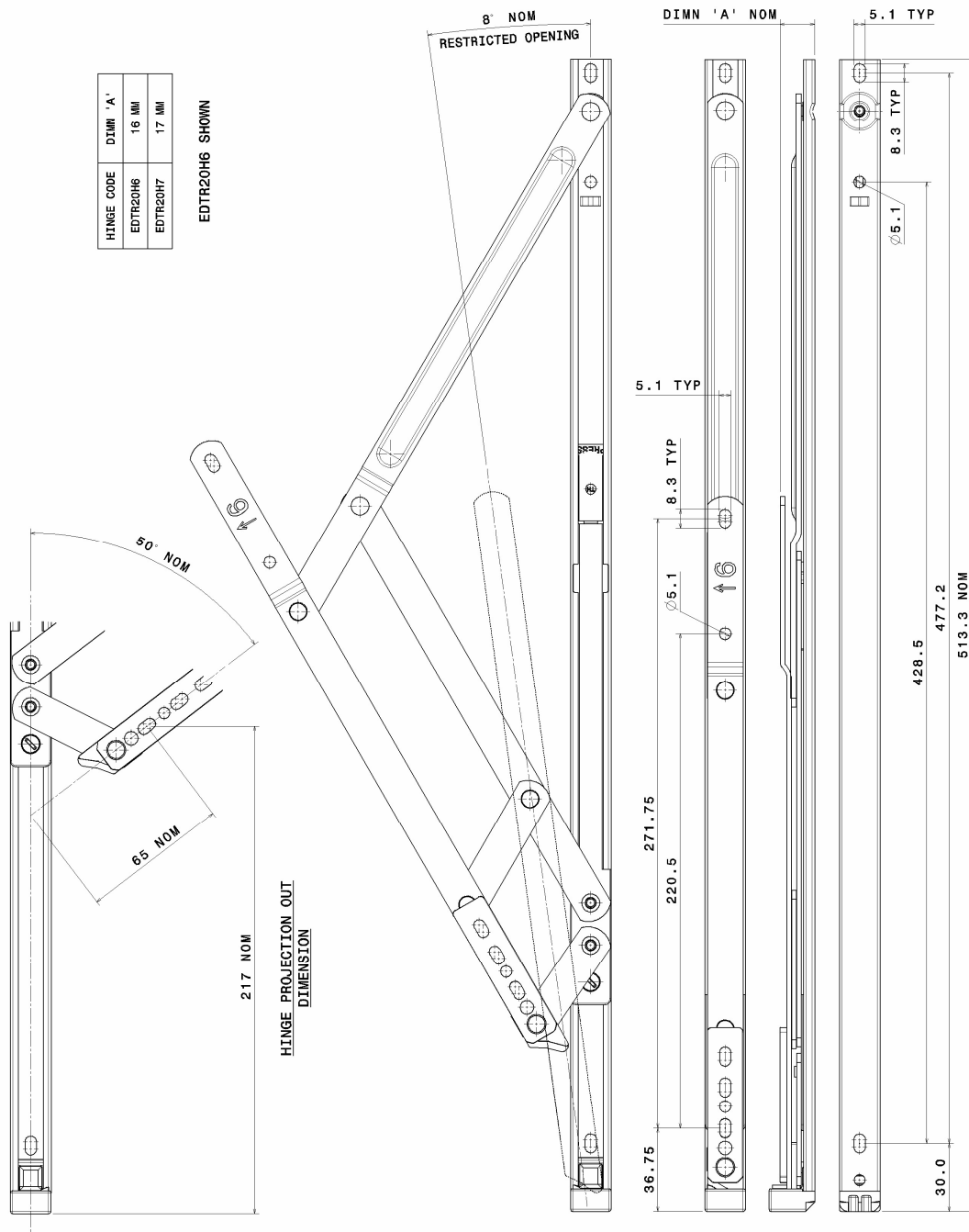
It is the responsibility of the window manufacturer to ensure that the finished window meets the required performance and safety specification.



Securistyle Ltd.
 Kingsmead Industrial Estate
 Princess Elizabeth Way, Cheltenham,
 Gloucestershire, GL51 7RE
 Tel: +44 (0) 1242 221200
 Fax: +44 (0) 1242 520828
 Web: www.securistyle.co.uk

HINGES

ASSEMBLY SHEET - EDTR20H6/H7 Top Hung Restricted Highline Hinges



HINGE CODE	DIMM 'A'
EDTR20H6	16 MM
EDTR20H7	17 MM

EDTR20H6 SHOWN

Hinge Code	Max. Vent Weight (Kg)	Min. Vent Height (mm)	Max. Vent Height (mm)	Max. Vent Width (mm)	Hardware Cavity (mm)
EDTR20H6/H7	26	700	1100	See profile manufacturers recommendations	"A" +1/-0

Not to Scale, All dimensions in mm

It is the responsibility of the user to ensure that this document is at the latest issue.

Due to our policy of continual product improvement we reserve the right to alter specifications without notice.

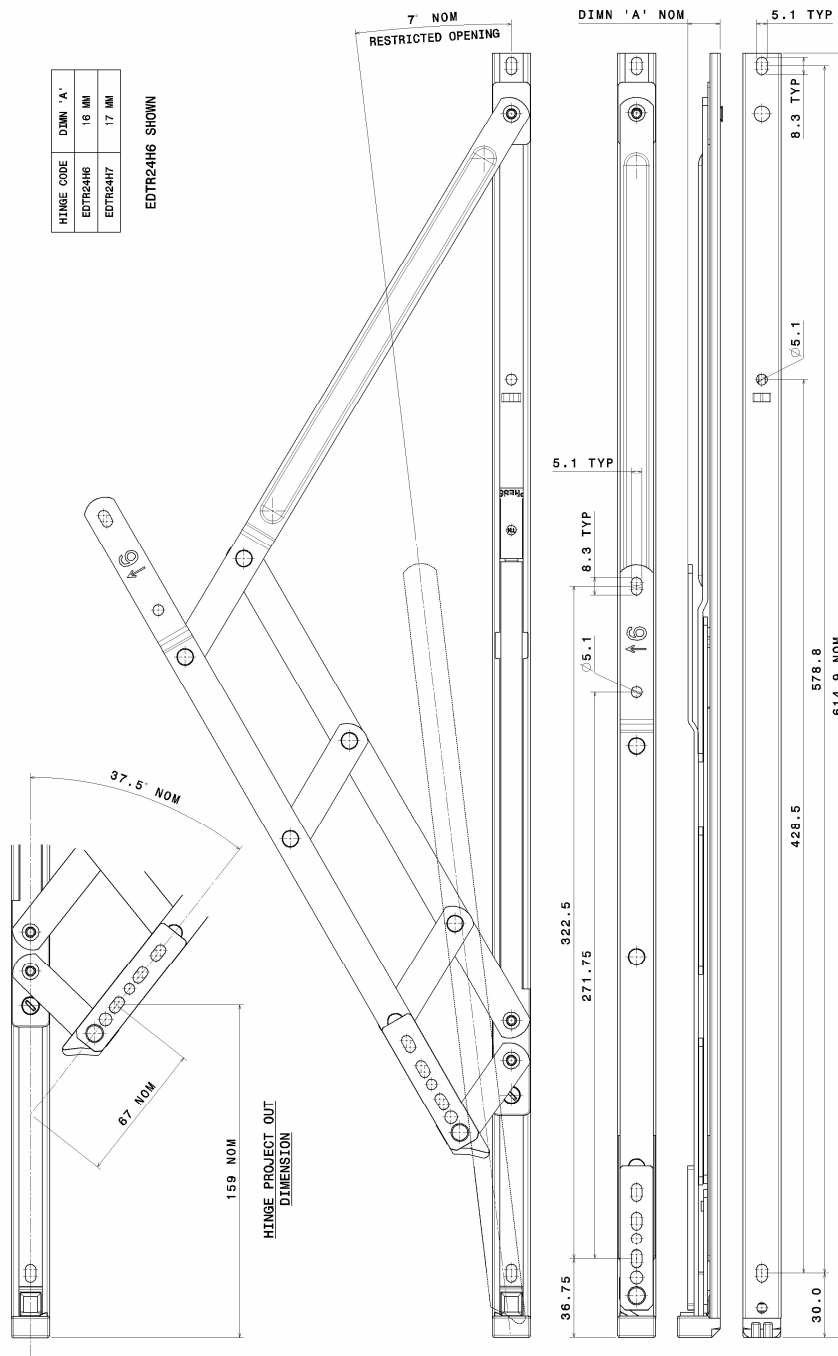
It is the responsibility of the window manufacturer to ensure that the finished window meets the required performance and safety specification.



Securistyle Ltd.
 Kingsmead Industrial Estate
 Princess Elizabeth Way, Cheltenham,
 Gloucestershire, GL51 7RE
 Tel: +44 (0) 1242 221200
 Fax: +44 (0) 1242 520828
 Web: www.securistyle.co.uk

HINGES

ASSEMBLY SHEET - EDTR24H6/H7 Top Hung Restricted Highline Hinges



Hinge Code	Max. Vent Weight (Kg)	Min. Vent Height (mm)	Max. Vent Height (mm)	Max. Vent Width (mm)	Hardware Cavity (mm)
EDTR24H6/H7	40	850	1300	See profile manufacturers recommendations	"A" +1/-0

Not to Scale, All dimensions in mm

It is the responsibility of the user to ensure that this document is at the latest issue.

Due to our policy of continual product improvement we reserve the right to alter specifications without notice.

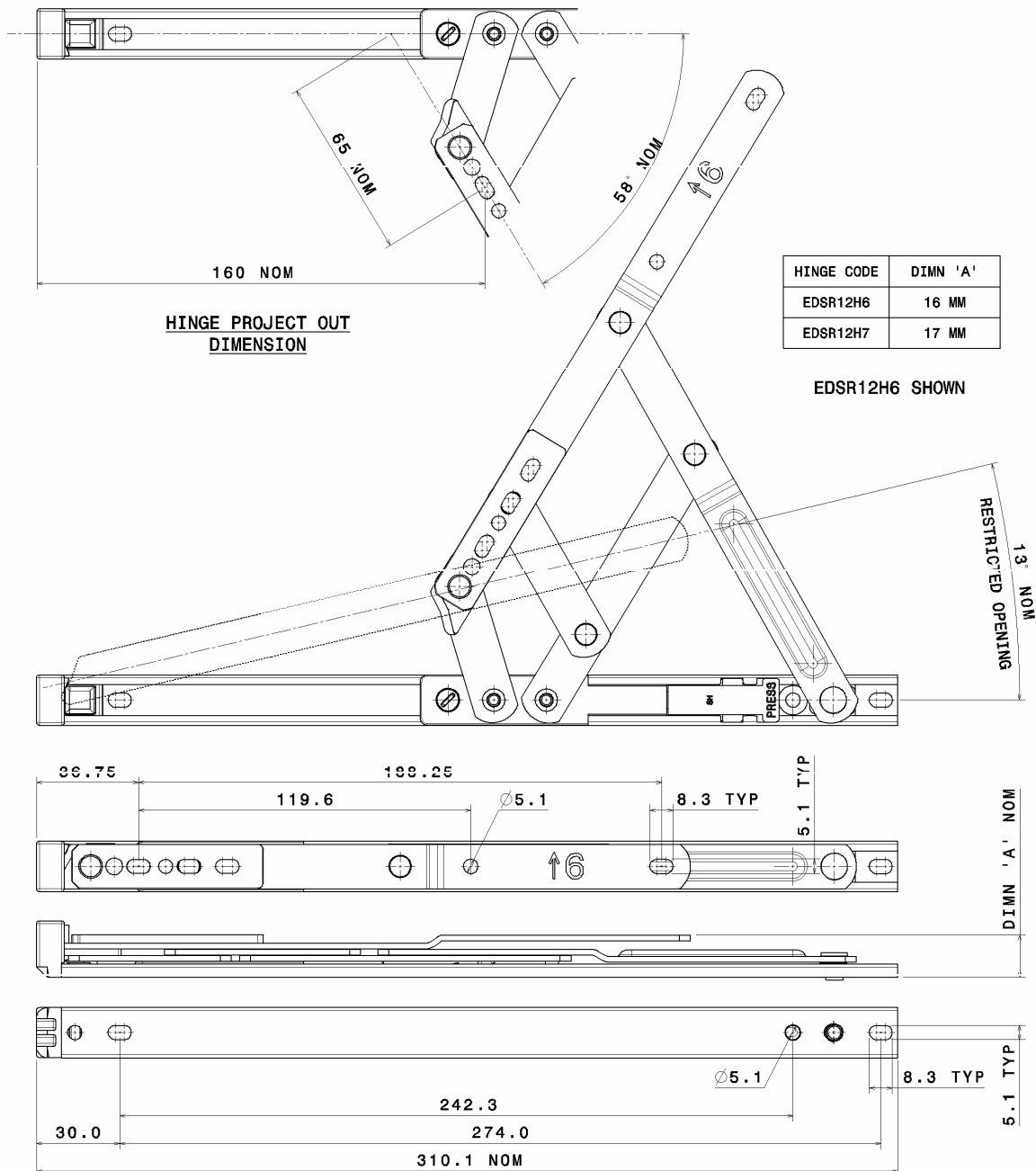
It is the responsibility of the window manufacturer to ensure that the finished window meets the required performance and safety specification.



Securistyle Ltd.
 Kingsmead Industrial Estate
 Princess Elizabeth Way, Cheltenham,
 Gloucestershire, GL51 7RE
 Tel: +44 (0) 1242 221200
 Fax: +44 (0) 1242 520828
 Web: www.securistyle.co.uk

HINGES

ASSEMBLY SHEET - EDSR12H6/H7 Side Hung Restricted Highline Hinges



Hinge Code	Max. Vent Weight (Kg)	Min. Vent Width (mm)	Max. Vent Width (mm)	Max. Vent Height (mm)	Hardware Cavity (mm)
EDSR12H6/H7	22	300	600	See profile manufacturers recommendations	"A" +1/-0

Not to Scale, All dimensions in mm

It is the responsibility of the user to ensure that this document is at the latest issue.

Due to our policy of continual product improvement we reserve the right to alter specifications without notice.

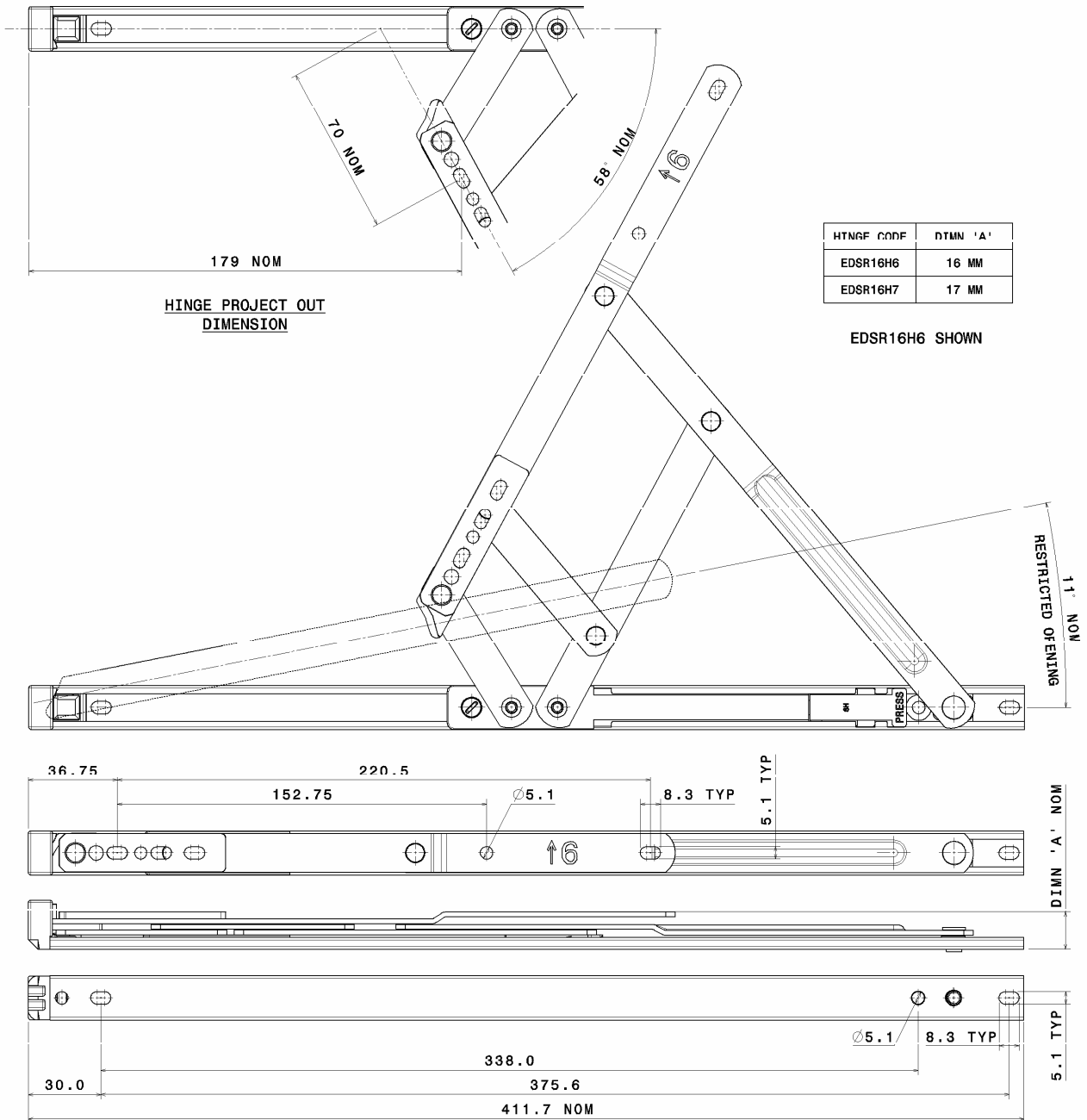
It is the responsibility of the window manufacturer to ensure that the finished window meets the required performance and safety specification.



Securistyle Ltd.
Kingsmead Industrial Estate
Princess Elizabeth Way, Cheltenham,
Gloucestershire, GL51 7RE
Tel: +44 (0) 1242 221200
Fax: +44 (0) 1242 520828
Web: www.securistyle.co.uk

HINGES

ASSEMBLY SHEET - EDSR16H6/H7 Side Hung Restricted Highline Hinges



Hinge Code	Max. Vent Weight (Kg)	Min. Vent Width (mm)	Max. Vent Width (mm)	Max. Vent Height (mm)	Hardware Cavity (mm)
EDSR16H6/H7	24	400	700	See profile manufacturers recommendations	"A" +1/-0

Not to Scale, All dimensions in mm

It is the responsibility of the user to ensure that this document is at the latest issue.

Due to our policy of continual product improvement we reserve the right to alter specifications without notice.

It is the responsibility of the window manufacturer to ensure that the finished window meets the required performance and safety specification.



Securistyle Ltd.
Kingsmead Industrial Estate
Princess Elizabeth Way, Cheltenham,
Gloucestershire, GL51 7RE
Tel: +44 (0) 1242 221200
Fax: +44 (0) 1242 520828
Web: www.securistyle.co.uk