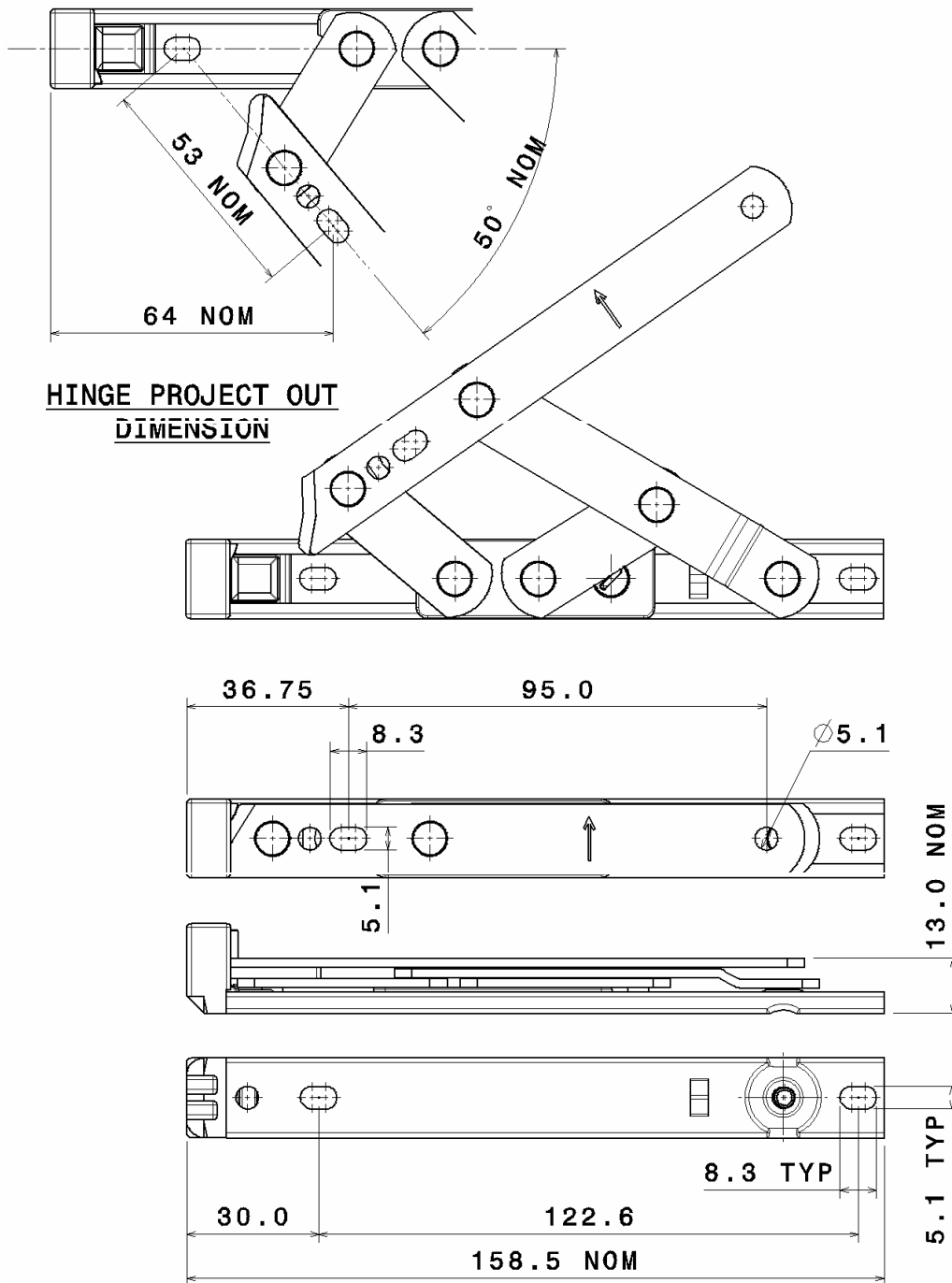


HINGES

ASSEMBLY SHEET - EDT6

Top Hung Hinge



Hinge Code	Max. Vent Weight (Kg)	Min. Vent Height (mm)	Max. Vent Height (mm)	Max. Vent Width (mm)	Hardware Cavity (mm)
EDT6	10	150	300	See profile manufacturers recommendations	13 - 14

Not to Scale, All dimensions in mm

It is the responsibility of the user to ensure that this document is at the latest issue.

Due to our policy of continual product improvement we reserve the right to alter specifications without notice.

It is the responsibility of the window manufacturer to ensure that the finished window meets the required performance and safety specification.

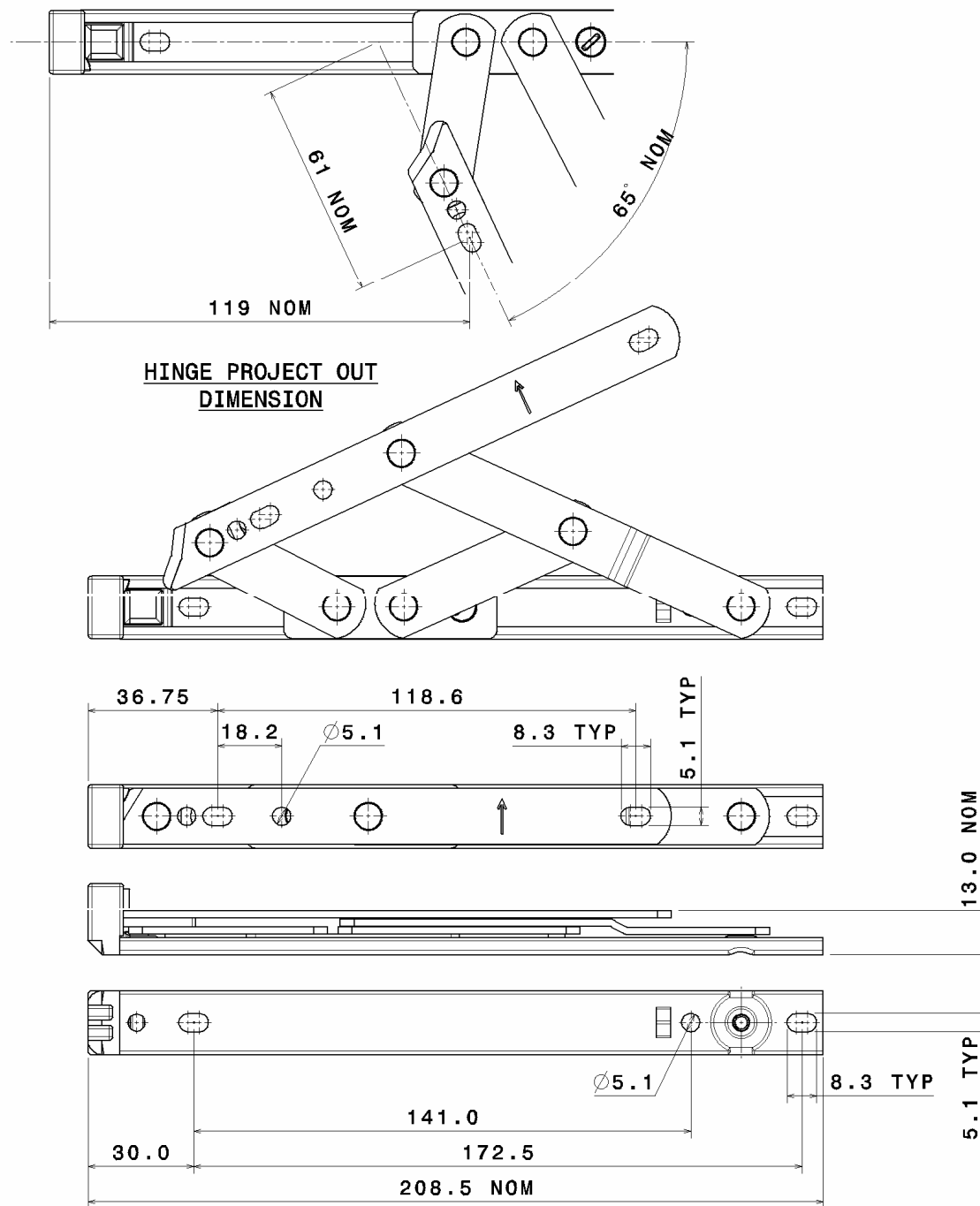


Securistyle Ltd.
 Kingsmead Industrial Estate
 Princess Elizabeth Way, Cheltenham,
 Gloucestershire, GL51 7RE
 Tel: +44 (0) 1242 221200
 Fax: +44 (0) 1242 520828
 Web: www.securistyle.co.uk

HINGES

ASSEMBLY SHEET - ED8

Top Hung Hinge



**HINGE PROJECT OUT
DIMENSION**

Hinge Code	Max. Vent Weight (Kg)	Min. Vent Height (mm)	Max. Vent Height (mm)	Max. Vent Width (mm)	Hardware Cavity (mm)
ED8	12	200	350	See profile manufacturers recommendations	13 - 14

Not to Scale, All dimensions in mm

It is the responsibility of the user to ensure that this document is at the latest issue.

Due to our policy of continual product improvement we reserve the right to alter specifications without notice.

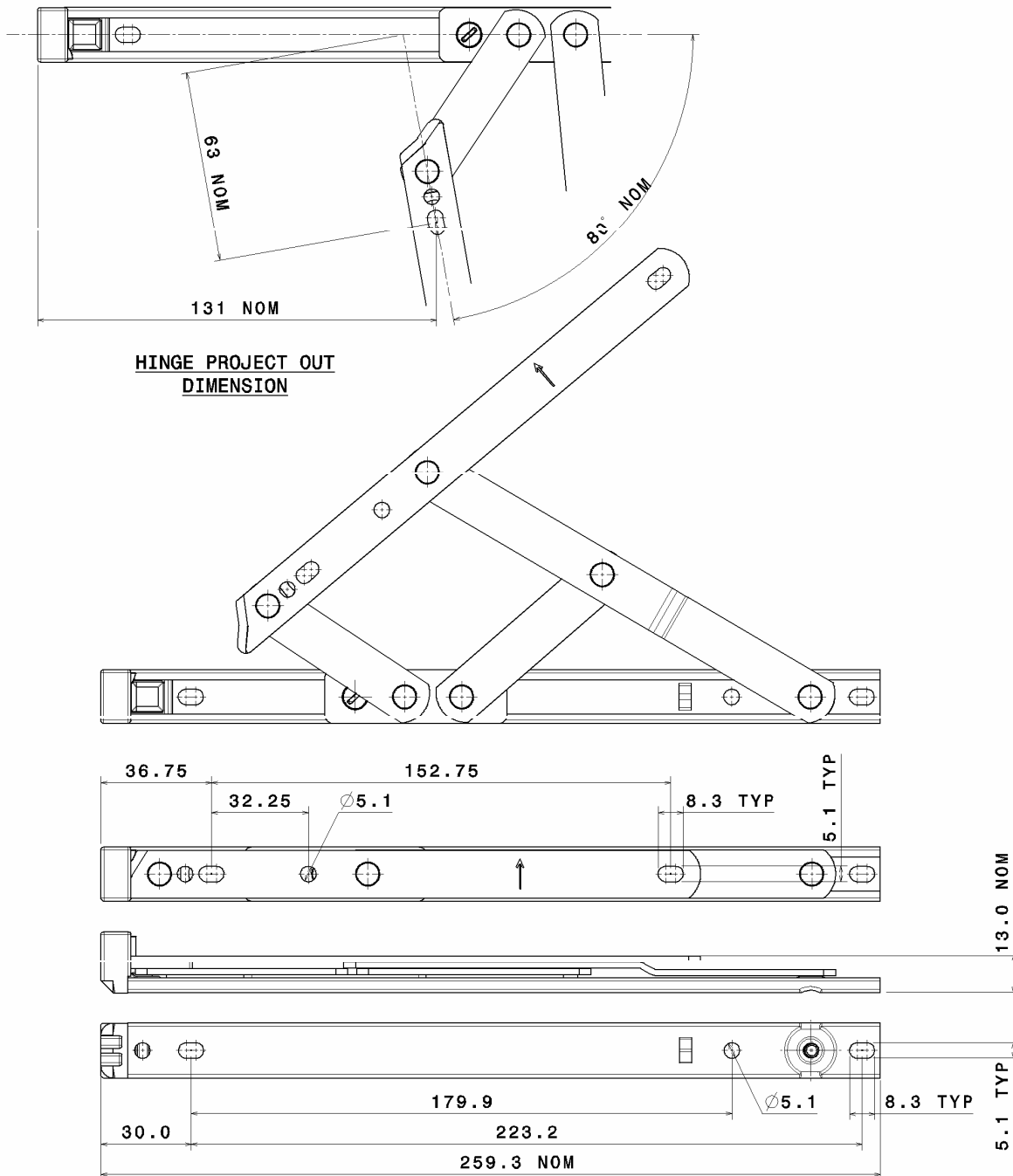
It is the responsibility of the window manufacturer to ensure that the finished window meets the required performance and safety specification.



Securistyle Ltd.
 Kingsmead Industrial Estate
 Princess Elizabeth Way, Cheltenham,
 Gloucestershire, GL51 7RE
 Tel: +44 (0) 1242 221200
 Fax: +44 (0) 1242 520828
 Web: www.securistyle.co.uk

HINGES

ASSEMBLY SHEET - EDT10 Top Hung Hinge



Hinge Code	Max. Vent Weight (Kg)	Min. Vent Height (mm)	Max. Vent Height (mm)	Max. Vent Width (mm)	Hardware Cavity (mm)
EDT10	16	275	400	See profile manufacturers recommendations	13 - 14

Not to Scale, All dimensions in mm

It is the responsibility of the user to ensure that this document is at the latest issue.

Due to our policy of continual product improvement we reserve the right to alter specifications without notice.

It is the responsibility of the window manufacturer to ensure that the finished window meets the required performance and safety specification.

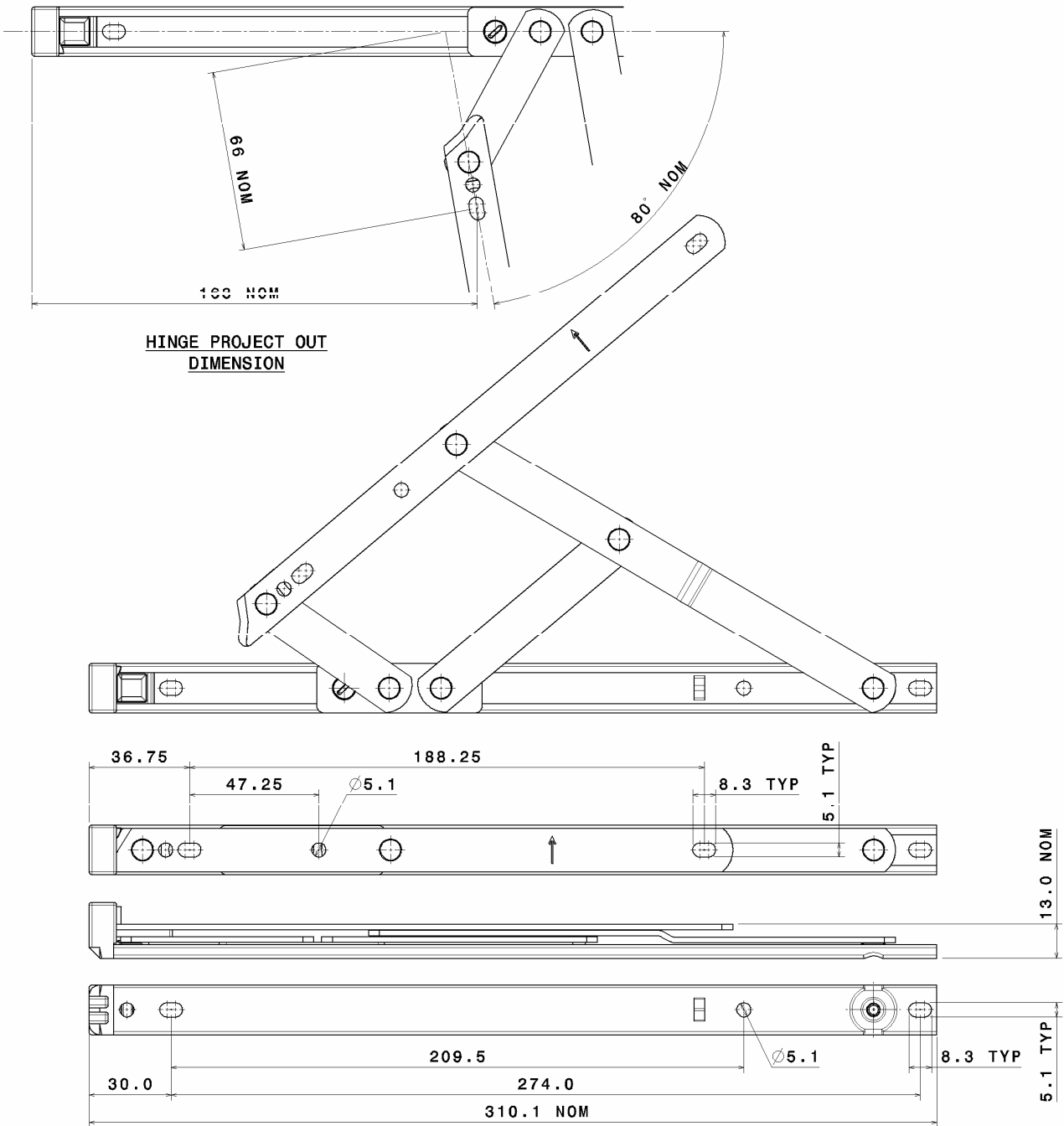


Securistyle Ltd.
Kingsmead Industrial Estate
Princess Elizabeth Way, Cheltenham,
Gloucestershire, GL51 7RE
Tel: +44 (0) 1242 221200
Fax: +44 (0) 1242 520828
Web: www.securistyle.co.uk

HINGES

ASSEMBLY SHEET - EDT12

Top Hung Hinge



**HINGE PROJECT OUT
DIMENSION**

Hinge Code	Max. Vent Weight (Kg)	Min. Vent Height (mm)	Max. Vent Height (mm)	Max. Vent Width (mm)	Hardware Cavity (mm)
EDT12	20	350	550	See profile manufacturers recommendations	13 - 14

Not to Scale, All dimensions in mm

It is the responsibility of the user to ensure that this document is at the latest issue.

Due to our policy of continual product improvement we reserve the right to alter specifications without notice.

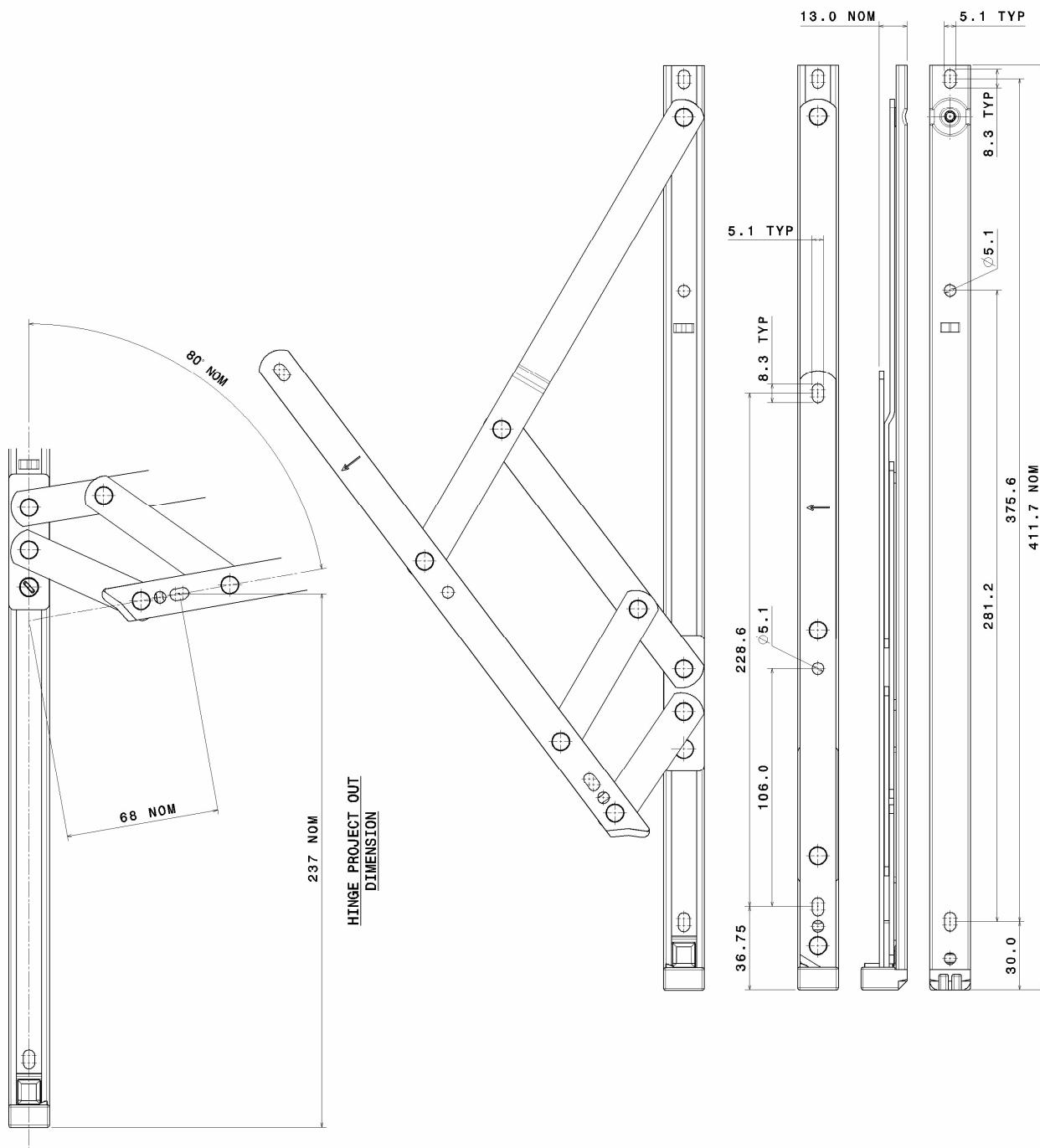
It is the responsibility of the window manufacturer to ensure that the finished window meets the required performance and safety specification.



Securistyle Ltd.
 Kingsmead Industrial Estate
 Princess Elizabeth Way, Cheltenham,
 Gloucestershire, GL51 7RE
 Tel: +44 (0) 1242 221200
 Fax: +44 (0) 1242 520828
 Web: www.securistyle.co.uk

HINGES

ASSEMBLY SHEET - EDT16 Top Hung Hinge



Hinge Code	Max. Vent Weight (Kg)	Min. Vent Height (mm)	Max. Vent Height (mm)	Max. Vent Width (mm)	Hardware Cavity (mm)
EDT16	21	500	780	See profile manufacturers recommendations	13 - 14

Not to Scale, All dimensions in mm

It is the responsibility of the user to ensure that this document is at the latest issue.

Due to our policy of continual product improvement we reserve the right to alter specifications without notice.

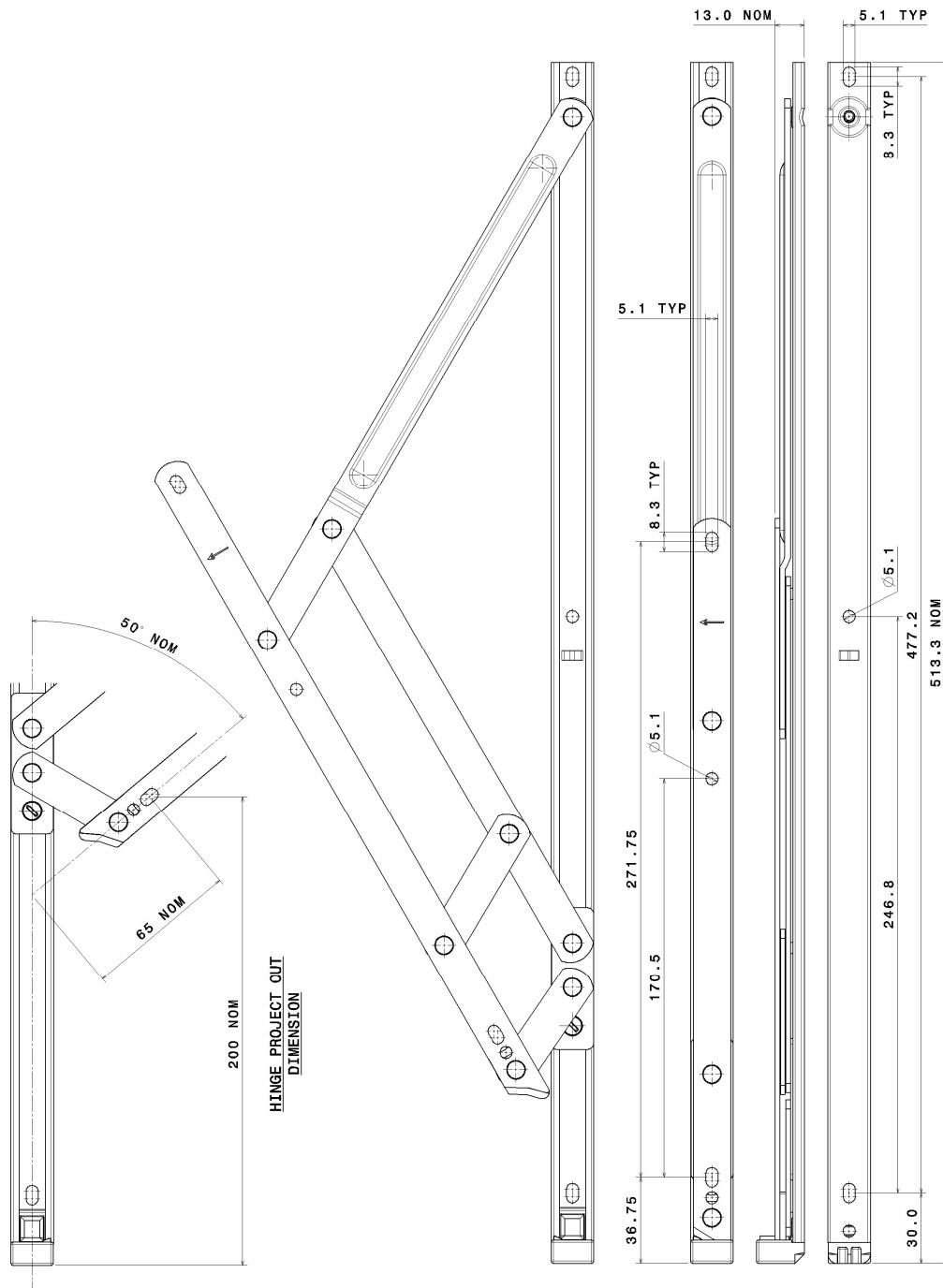
It is the responsibility of the window manufacturer to ensure that the finished window meets the required performance and safety specification.



Securistyle Ltd.
 Kingsmead Industrial Estate
 Princess Elizabeth Way, Cheltenham,
 Gloucestershire, GL51 7RE
 Tel: +44 (0) 1242 221200
 Fax: +44 (0) 1242 520828
 Web: www.securistyle.co.uk

HINGES

ASSEMBLY SHEET - EDT20 Top Hung Hinge



Hinge Code	Max. Vent Weight (Kg)	Min. Vent Height (mm)	Max. Vent Height (mm)	Max. Vent Width (mm)	Hardware Cavity (mm)
EDT20	26	700	1100	See profile manufacturers recommendations	13 - 14

Not to Scale, All dimensions in mm

It is the responsibility of the user to ensure that this document is at the latest issue.

Due to our policy of continual product improvement we reserve the right to alter specifications without notice.

It is the responsibility of the window manufacturer to ensure that the finished window meets the required performance and safety specification.

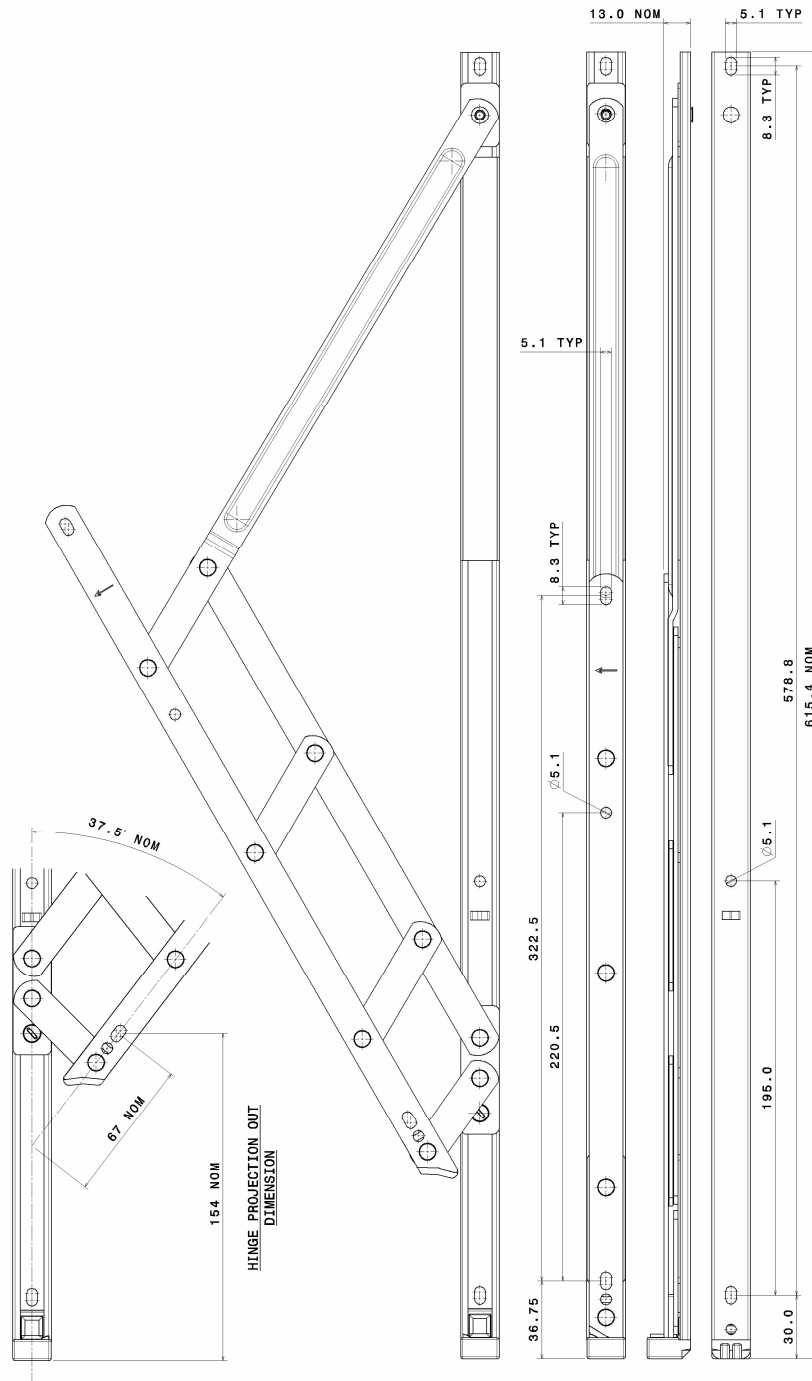


Securistyle Ltd.
Kingsmead Industrial Estate
Princess Elizabeth Way, Cheltenham,
Gloucestershire, GL51 7RE
Tel: +44 (0) 1242 221200
Fax: +44 (0) 1242 520828
Web: www.securistyle.co.uk

HINGES

ASSEMBLY SHEET - EDT24

Top Hung Hinge



Hinge Code	Max. Vent Weight (Kg)	Min. Vent Height (mm)	Max. Vent Height (mm)	Max. Vent Width (mm)	Hardware Cavity (mm)
EDT24	40	850	1300	See profile manufacturers recommendations	13 - 14

Not to Scale, All dimensions in mm

It is the responsibility of the user to ensure that this document is at the latest issue.

Due to our policy of continual product improvement we reserve the right to alter specifications without notice.

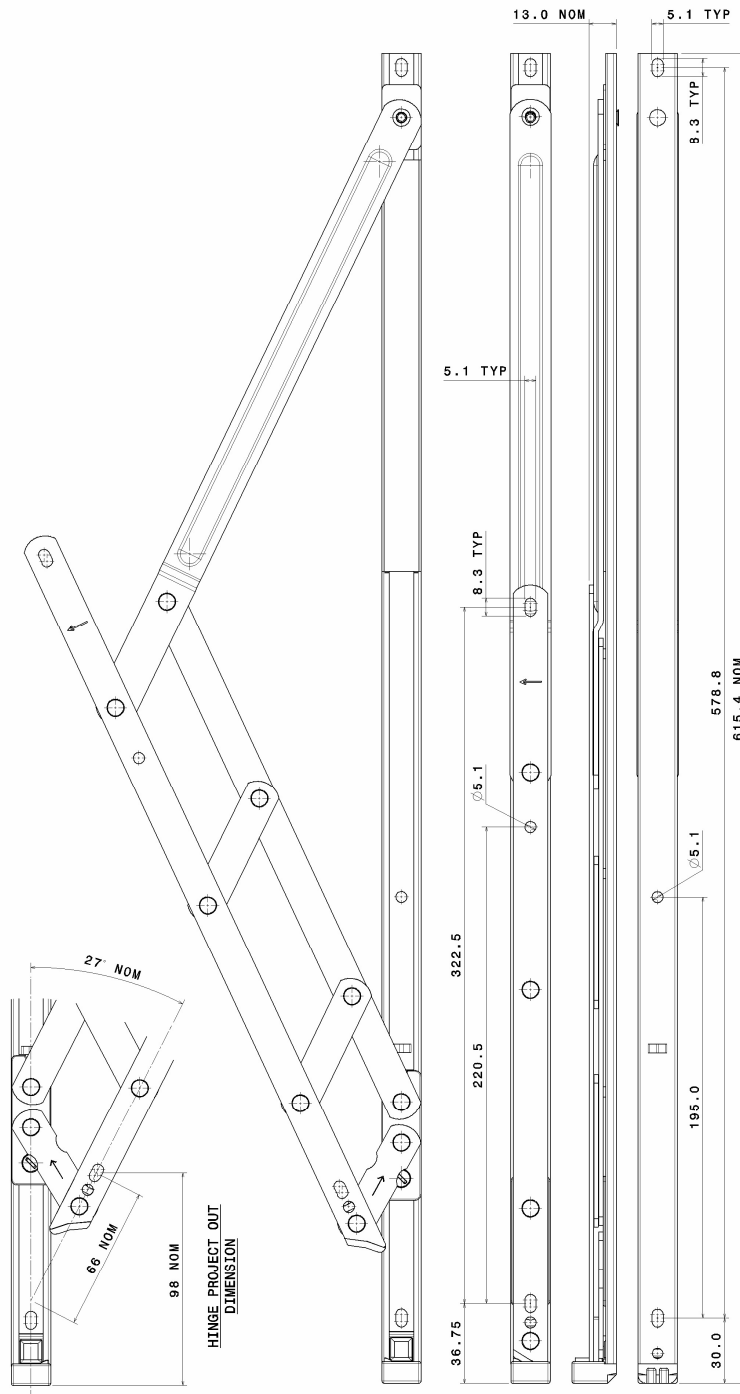
It is the responsibility of the window manufacturer to ensure that the finished window meets the required performance and safety specification.



Securistyle Ltd.
 Kingsmead Industrial Estate
 Princess Elizabeth Way, Cheltenham,
 Gloucestershire, GL51 7RE
 Tel: +44 (0) 1242 221200
 Fax: +44 (0) 1242 520828
 Web: www.securistyle.co.uk

HINGES

ASSEMBLY SHEET - EDTH24 Top Hung Hinges



Hinge Code	Max. Vent Weight (Kg)	Min. Vent Height (mm)	Max. Vent Height (mm)	Max. Vent Height (mm)	Hardware Cavity (mm)
EDTH24	50	850	1500	See profile manufacturers recommendations	13 - 14

Not to Scale, All dimensions in mm

It is the responsibility of the user to ensure that this document is at the latest issue.

Due to our policy of continual product improvement we reserve the right to alter specifications without notice.

It is the responsibility of the window manufacturer to ensure that the finished window meets the required performance and safety specification.

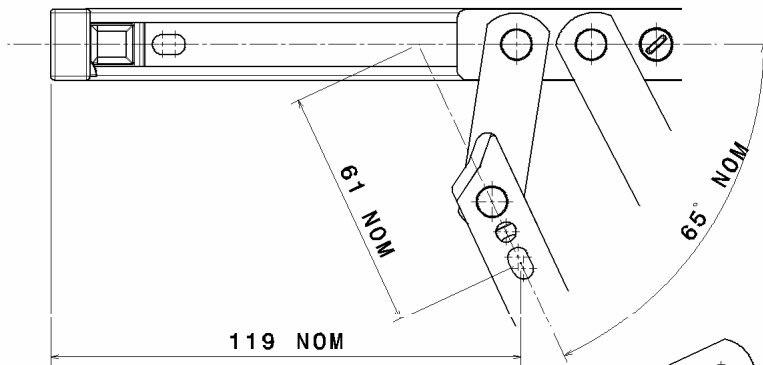


Securistyle Ltd.
 Kingsmead Industrial Estate
 Princess Elizabeth Way, Cheltenham,
 Gloucestershire, GL51 7RE
 Tel: +44 (0) 1242 221200
 Fax: +44 (0) 1242 520828
 Web: www.securistyle.co.uk

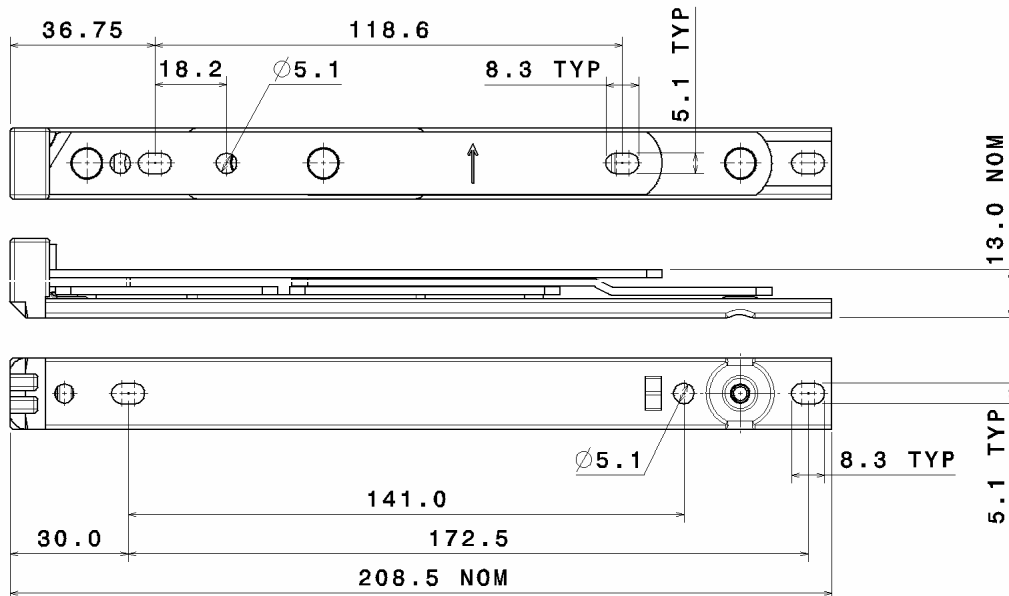
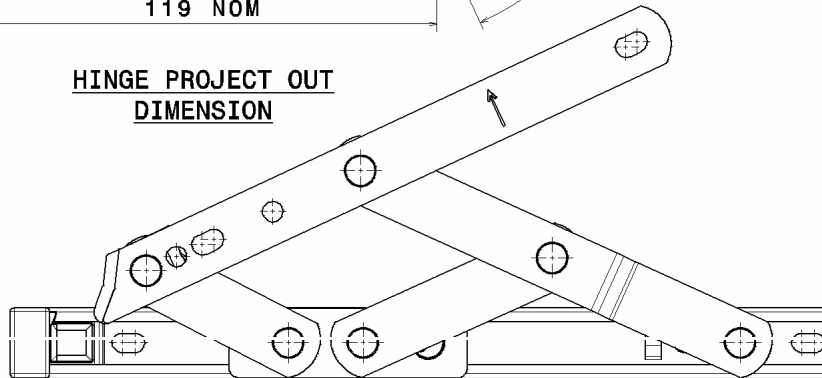
HINGES

ASSEMBLY SHEET - ED8

Side Hung Hinges



**HINGE PROJECT OUT
DIMENSION**



Hinge Code	Max. Vent Weight (Kg)	Min. Vent Width (mm)	Max. Vent Width (mm)	Max. Vent Height (mm)	Hardware Cavity (mm)
ED8	18	200	400	See profile manufacturers recommendations	13 - 14

Not to Scale, All dimensions in mm

It is the responsibility of the user to ensure that this document is at the latest issue.

Due to our policy of continual product improvement we reserve the right to alter specifications without notice.

It is the responsibility of the window manufacturer to ensure that the finished window meets the required performance and safety specification.

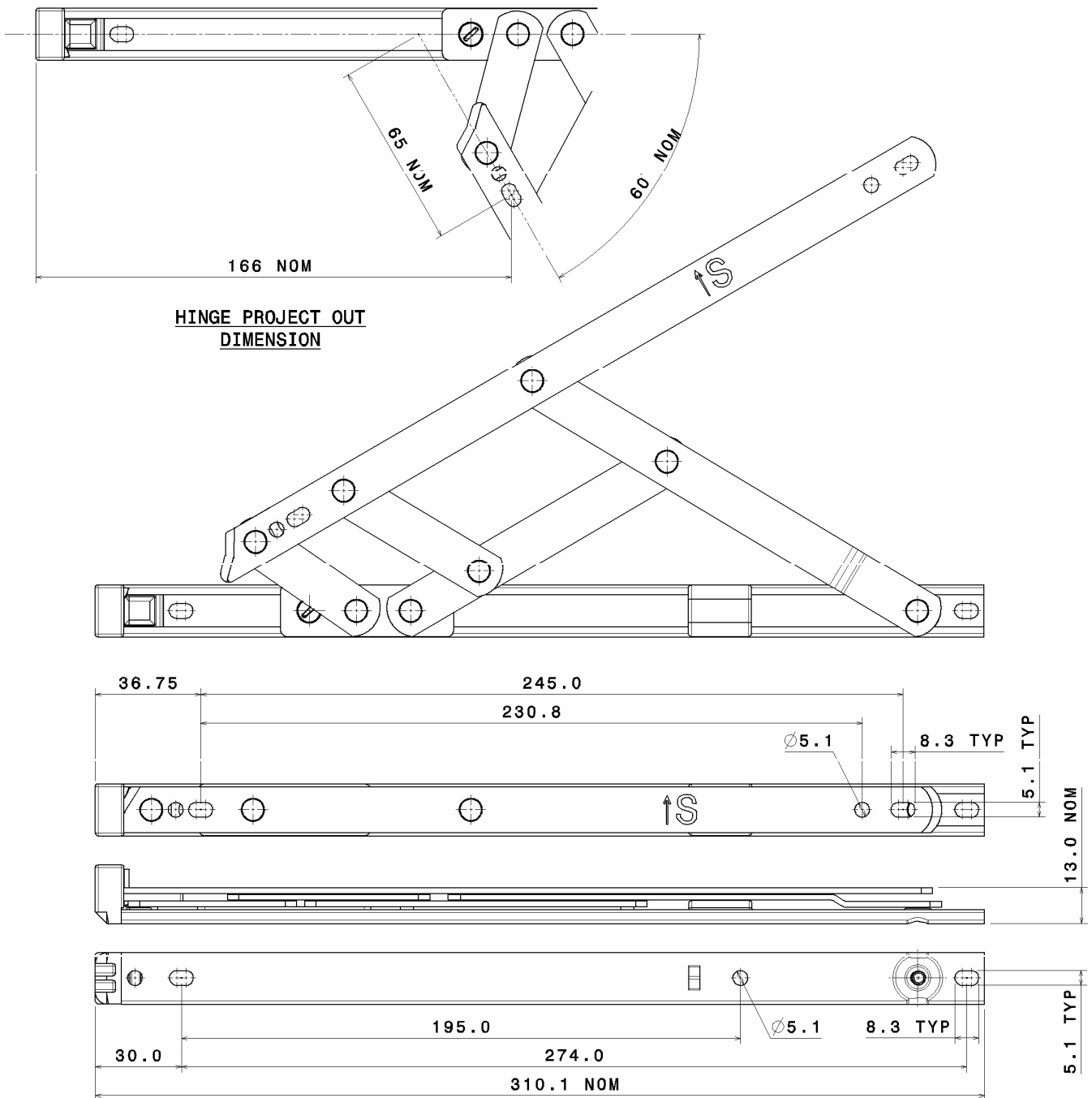


Securistyle Ltd.
 Kingsmead Industrial Estate
 Princess Elizabeth Way, Cheltenham,
 Gloucestershire, GL51 7RE
 Tel: +44 (0) 1242 221200
 Fax: +44 (0) 1242 520828
 Web: www.securistyle.co.uk

HINGES

ASSEMBLY SHEET - EDS12

Side Hung Hinges



Hinge Code	Max. Vent Weight (Kg)	Min. Vent Width (mm)	Max. Vent Width (mm)	Max. Vent Height (mm)	Hardware Cavity (mm)
EDS12	22	300	600	See profile manufacturers recommendations	13 - 14

Not to Scale, All dimensions in mm

It is the responsibility of the user to ensure that this document is at the latest issue.

Due to our policy of continual product improvement we reserve the right to alter specifications without notice.

It is the responsibility of the window manufacturer to ensure that the finished window meets the required performance and safety specification.

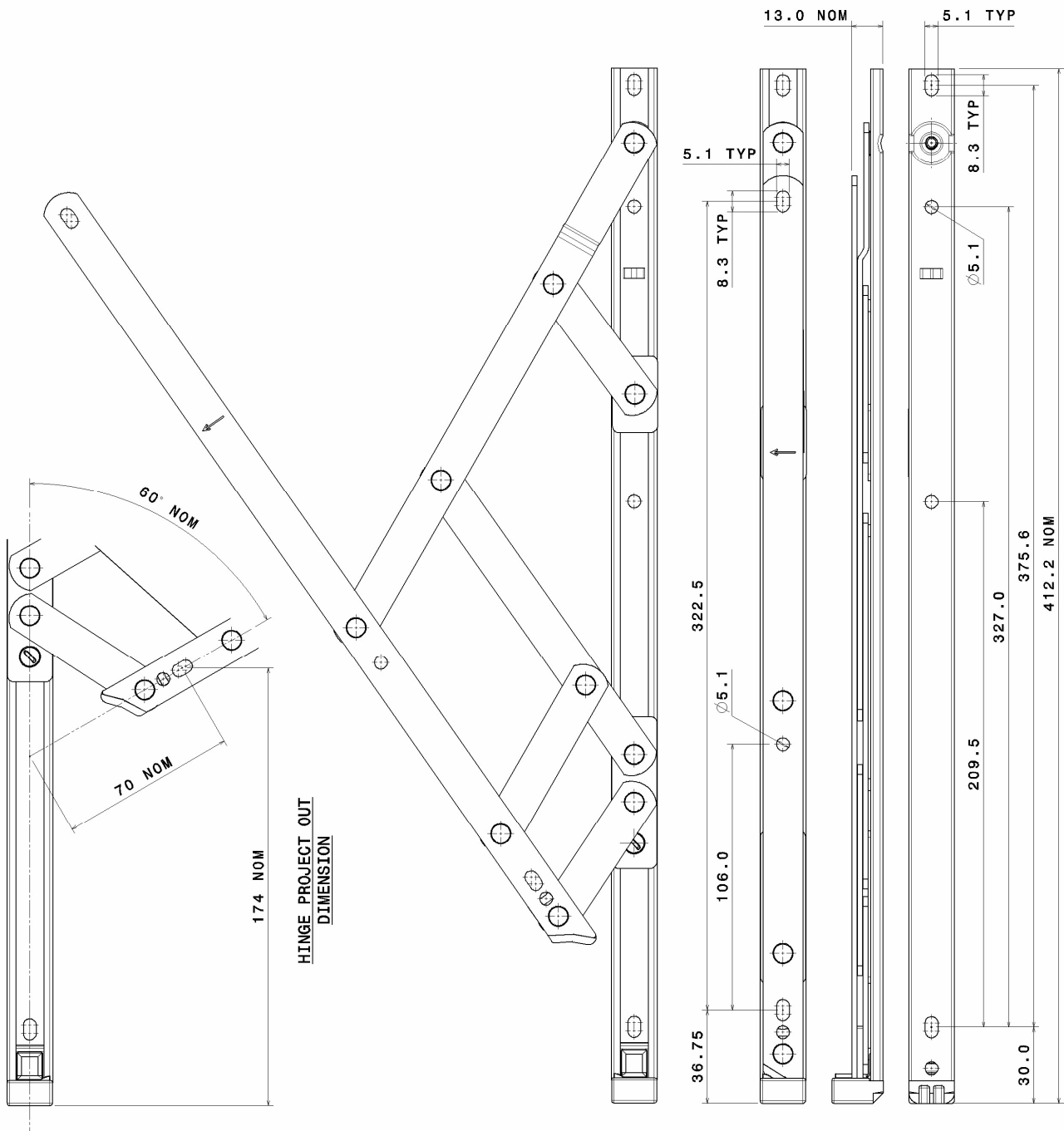


Securistyle Ltd.
 Kingsmead Industrial Estate
 Princess Elizabeth Way, Cheltenham,
 Gloucestershire, GL51 7RE
 Tel: +44 (0) 1242 221200
 Fax: +44 (0) 1242 520828
 Web: www.securistyle.co.uk

HINGES

ASSEMBLY SHEET - EDS16

Side Hung Hinge



Hinge Code	Max. Vent Weight (Kg)	Min. Vent Width (mm)	Max. Vent Width (mm)	Max. Vent Height (mm)	Hardware Cavity (mm)
EDS16	24	400	700	See profile manufacturers recommendations	13 - 14

Not to Scale, All dimensions in mm

It is the responsibility of the user to ensure that this document is at the latest issue.

Due to our policy of continual product improvement we reserve the right to alter specifications without notice.

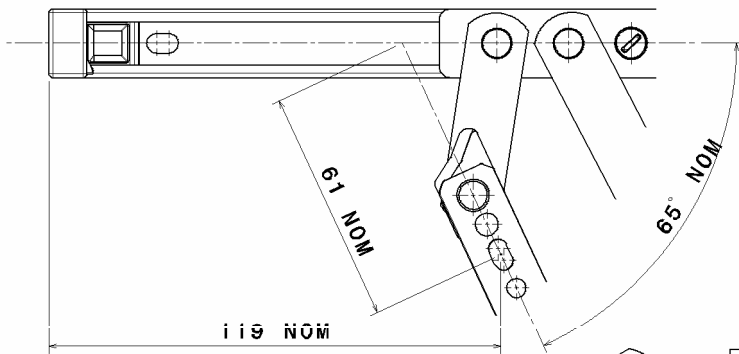
It is the responsibility of the window manufacturer to ensure that the finished window meets the required performance and safety specification.



Securistyle Ltd.
 Kingsmead Industrial Estate
 Princess Elizabeth Way, Cheltenham,
 Gloucestershire, GL51 7RE
 Tel: +44 (0) 1242 221200
 Fax: +44 (0) 1242 520828
 Web: www.securistyle.co.uk

HINGES

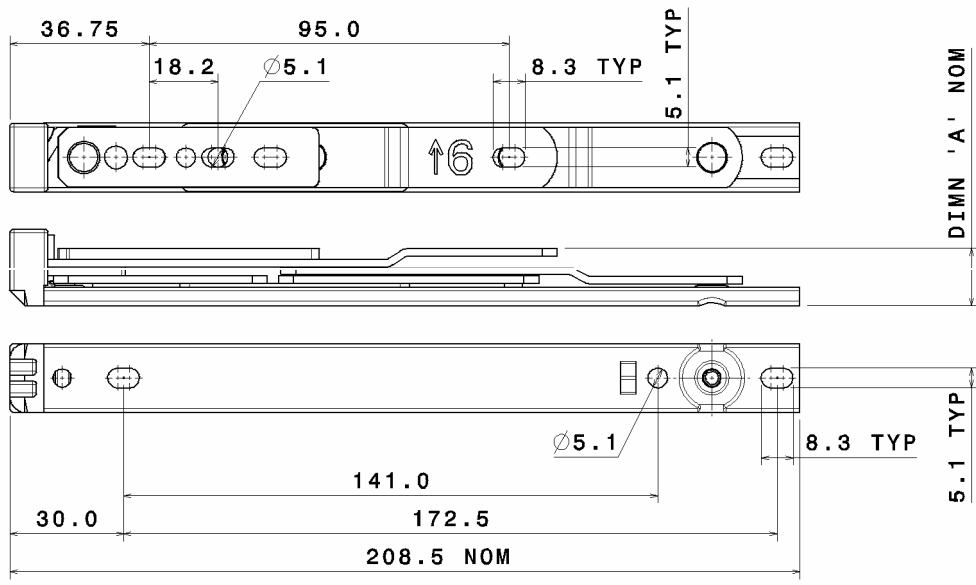
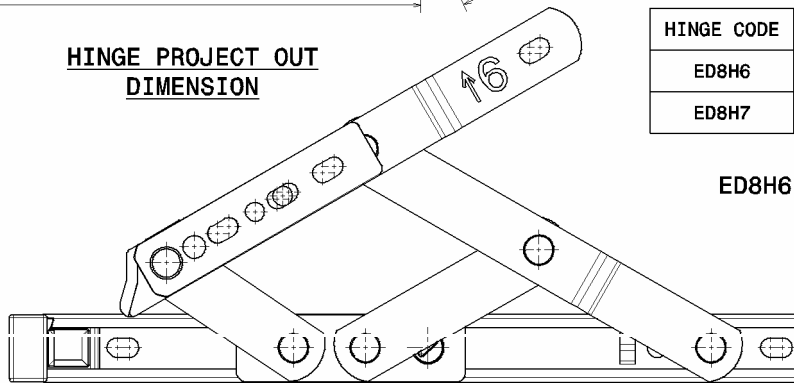
ASSEMBLY SHEET - ED8H6/H7 Top Hung Highline Hinges



**HINGE PROJECT OUT
DIMENSION**

HINGE CODE	DIMN 'A'
ED8H6	16 MM
ED8H7	17 MM

ED8H6 SHOWN



Hinge Code	Max. Vent Weight (Kg)	Min. Vent Height (mm)	Max. Vent Height (mm)	Max. Vent Width (mm)	Hardware Cavity (mm)
ED8H6/H7	12	200	350	See profile manufacturers recommendations	"A" +1/-0

Not to Scale, All dimensions in mm

It is the responsibility of the user to ensure that this document is at the latest issue.

Due to our policy of continual product improvement we reserve the right to alter specifications without notice.

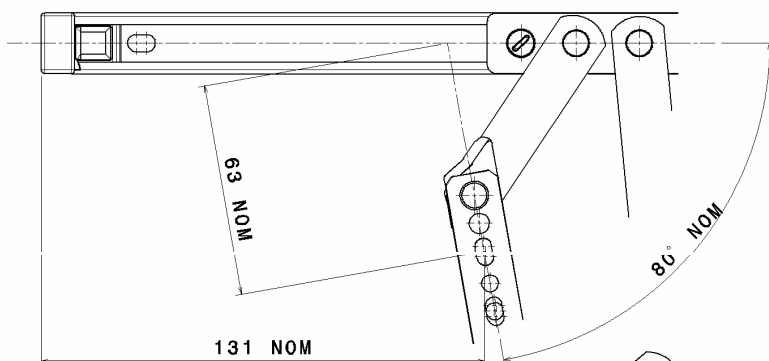
It is the responsibility of the window manufacturer to ensure that the finished window meets the required performance and safety specification.



Securistyle Ltd.
Kingsmead Industrial Estate
Princess Elizabeth Way, Cheltenham,
Gloucestershire, GL51 7RE
Tel: +44 (0) 1242 221200
Fax: +44 (0) 1242 520828
Web: www.securistyle.co.uk

HINGES

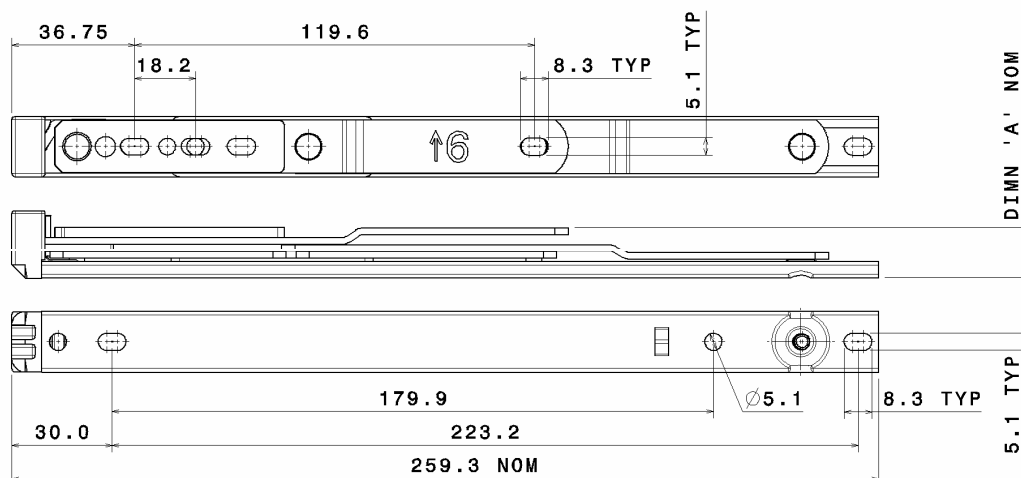
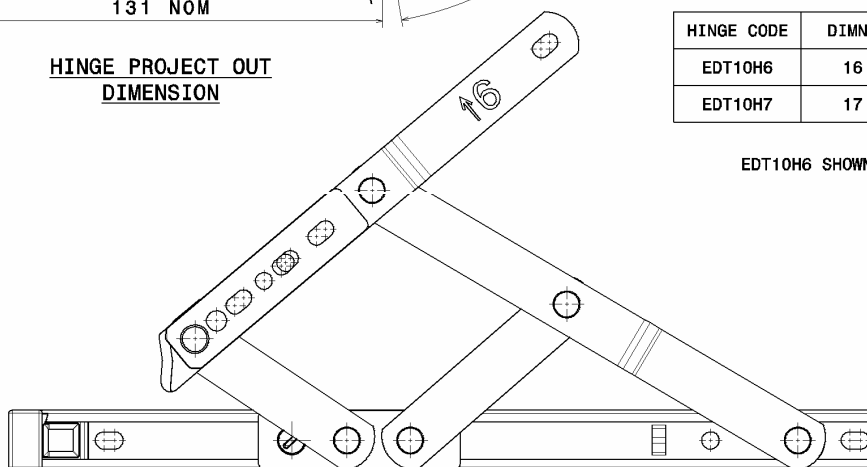
ASSEMBLY SHEET - EDT10H6/H7 Top Hung Highline Hinges



**HINGE PROJECT OUT
DIMENSION**

HINGE CODE	DIMN 'A'
EDT10H6	16 MM
EDT10H7	17 MM

EDT10H6 SHOWN



Hinge Code	Max. Vent Weight (Kg)	Min. Vent Height (mm)	Max. Vent Height (mm)	Max. Vent Width (mm)	Hardware Cavity (mm)
EDT10H6/H7	16	275	400	See profile manufacturers recommendations	"A" +1/-0

Not to Scale, All dimensions in mm

It is the responsibility of the user to ensure that this document is at the latest issue.

Due to our policy of continual product improvement we reserve the right to alter specifications without notice.

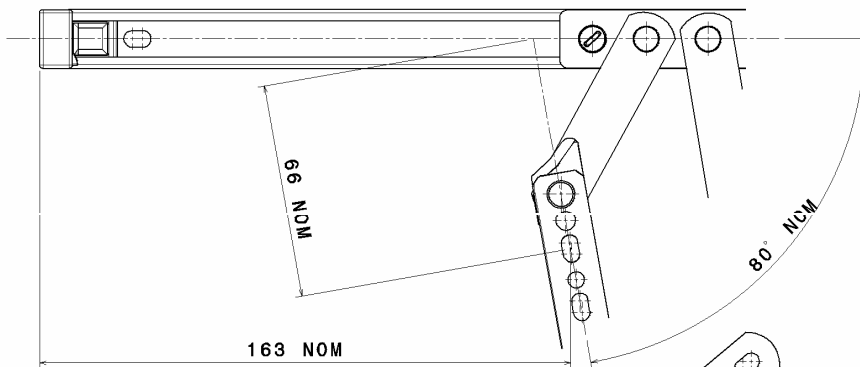
It is the responsibility of the window manufacturer to ensure that the finished window meets the required performance and safety specification.



Securistyle Ltd.
Kingsmead Industrial Estate
Princess Elizabeth Way, Cheltenham,
Gloucestershire, GL51 7RE
Tel: +44 (0) 1242 221200
Fax: +44 (0) 1242 520828
Web: www.securistyle.co.uk

HINGES

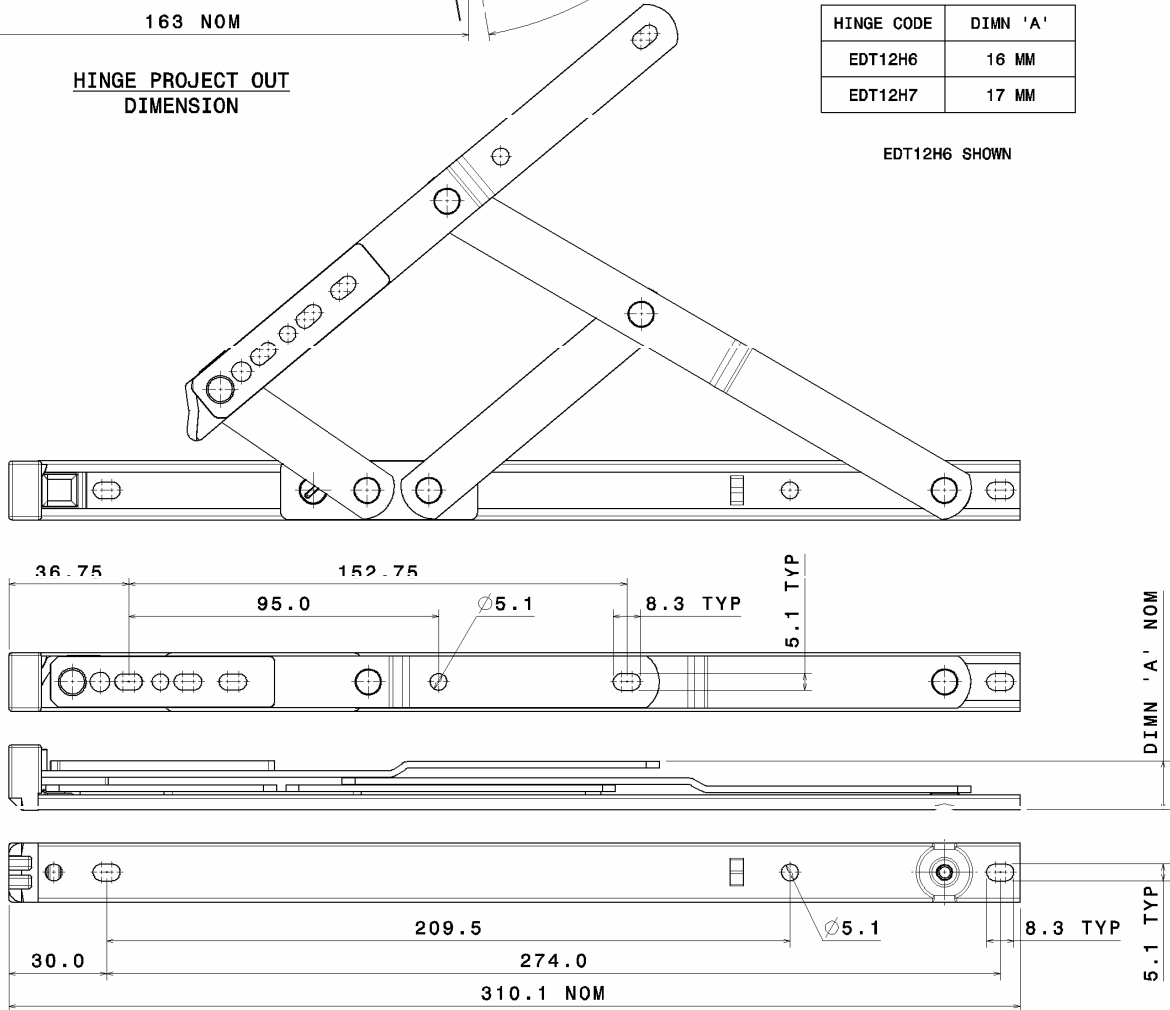
ASSEMBLY SHEET - EDT12H6/H7 Top Hung Highline Hinges



**HINGE PROJECT OUT
DIMENSION**

HINGE CODE	DIMN 'A'
EDT12H6	16 MM
EDT12H7	17 MM

EDT12H6 SHOWN



Hinge Code	Max. Vent Weight (Kg)	Min. Vent Height (mm)	Max. Vent Height (mm)	Max. Vent Width (mm)	Hardware Cavity (mm)
EDT12H6/H7	20	350	550	See profile manufacturers recommendations	"A" +1/-0

Not to Scale, All dimensions in mm

It is the responsibility of the user to ensure that this document is at the latest issue.

Due to our policy of continual product improvement we reserve the right to alter specifications without notice.

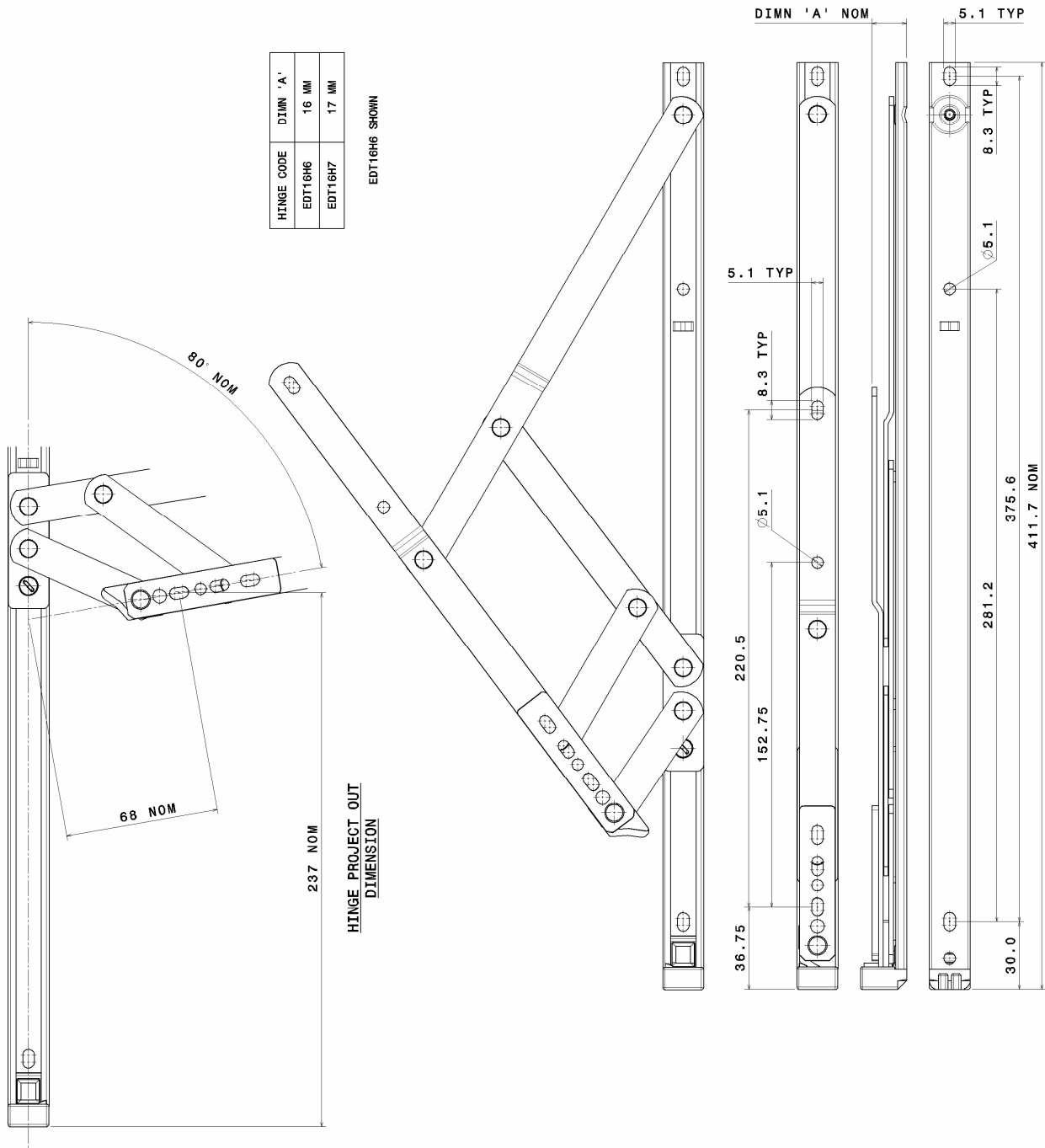
It is the responsibility of the window manufacturer to ensure that the finished window meets the required performance and safety specification.



Securistyle Ltd.
Kingsmead Industrial Estate
Princess Elizabeth Way, Cheltenham,
Gloucestershire, GL51 7RE
Tel: +44 (0) 1242 221200
Fax: +44 (0) 1242 520828
Web: www.securistyle.co.uk

HINGES

ASSEMBLY SHEET - EDT16H6/H7 Top Hung Highline Hinges



Hinge Code	Max. Vent Weight (Kg)	Min. Vent Height (mm)	Max. Vent Height (mm)	Max. Vent Width (mm)	Hardware Cavity (mm)
EDT16H6/H7	21	500	780	See profile manufacturers recommendations	"A" +1/-0

Not to Scale, All dimensions in mm

It is the responsibility of the user to ensure that this document is at the latest issue.

Due to our policy of continual product improvement we reserve the right to alter specifications without notice.

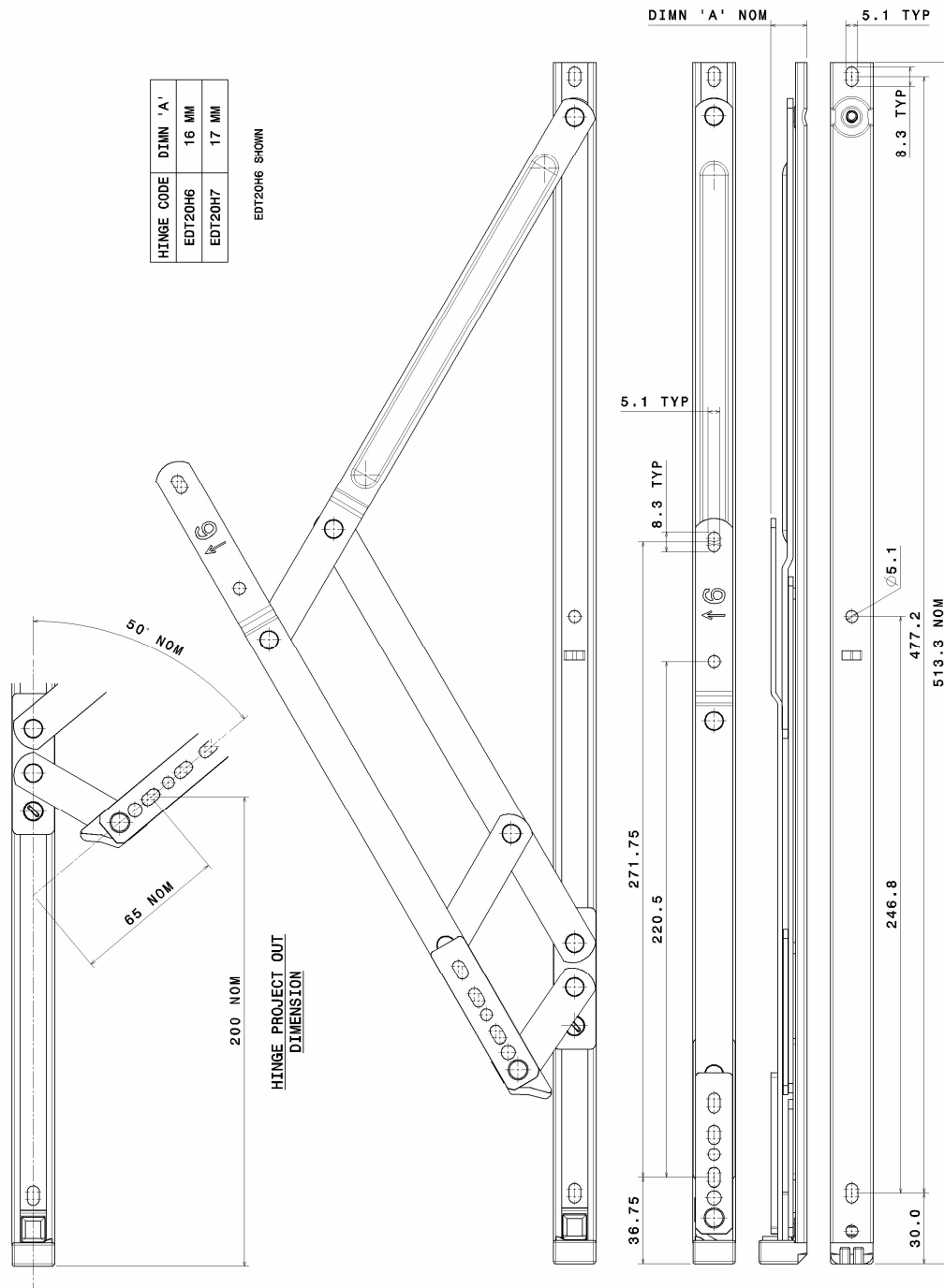
It is the responsibility of the window manufacturer to ensure that the finished window meets the required performance and safety specification.



Securistyle Ltd.
 Kingsmead Industrial Estate
 Princess Elizabeth Way, Cheltenham,
 Gloucestershire, GL51 7RE
 Tel: +44 (0) 1242 221200
 Fax: +44 (0) 1242 520828
 Web: www.securistyle.co.uk

HINGES

ASSEMBLY SHEET - EDT20H6/H7 Top Hung Highline Hinges



Hinge Code	Max. Vent Weight (Kg)	Min. Vent Height (mm)	Max. Vent Height (mm)	Max. Vent Width (mm)	Hardware Cavity (mm)
EDT20H6/H7	26	700	1100	See profile manufacturers recommendations	"A" +1/-0

Not to Scale, All dimensions in mm

It is the responsibility of the user to ensure that this document is at the latest issue.

Due to our policy of continual product improvement we reserve the right to alter specifications without notice.

It is the responsibility of the window manufacturer to ensure that the finished window meets the required performance and safety specification.

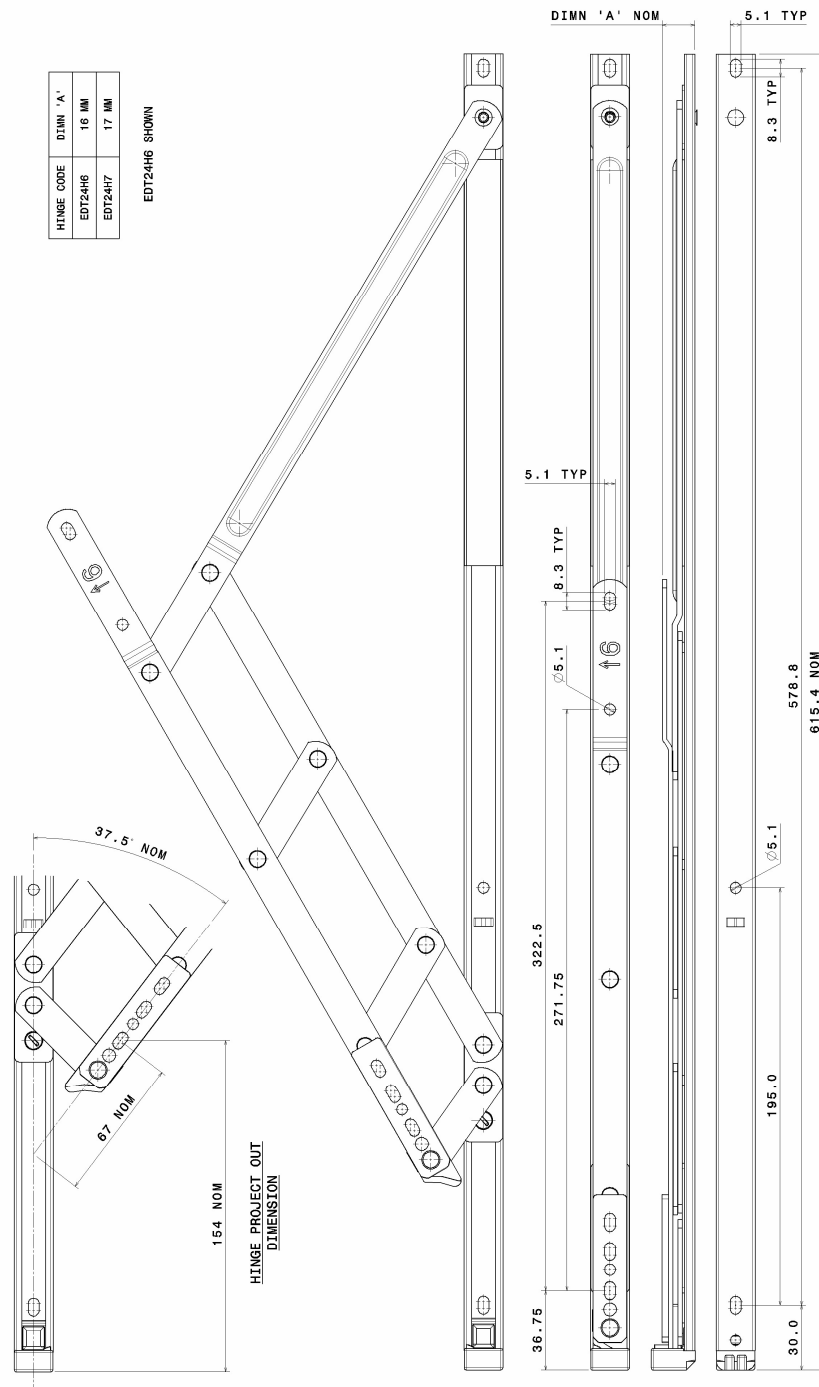


Securistyle Ltd.
 Kingsmead Industrial Estate
 Princess Elizabeth Way, Cheltenham,
 Gloucestershire, GL51 7RE
 Tel: +44 (0) 1242 221200
 Fax: +44 (0) 1242 520828
 Web: www.securistyle.co.uk

HINGES

ASSEMBLY SHEET - EDT24H6/H7

Top Hung Highline Hinges



Hinge Code	Max. Vent Weight (Kg)	Min. Vent Height (mm)	Max. Vent Height (mm)	Max. Vent Width (mm)	Hardware Cavity (mm)
EDT24H6/H7	40	850	1300	See profile manufacturers recommendations	"A" +1-0

Not to Scale, All dimensions in mm

It is the responsibility of the user to ensure that this document is at the latest issue.

Due to our policy of continual product improvement we reserve the right to alter specifications without notice.

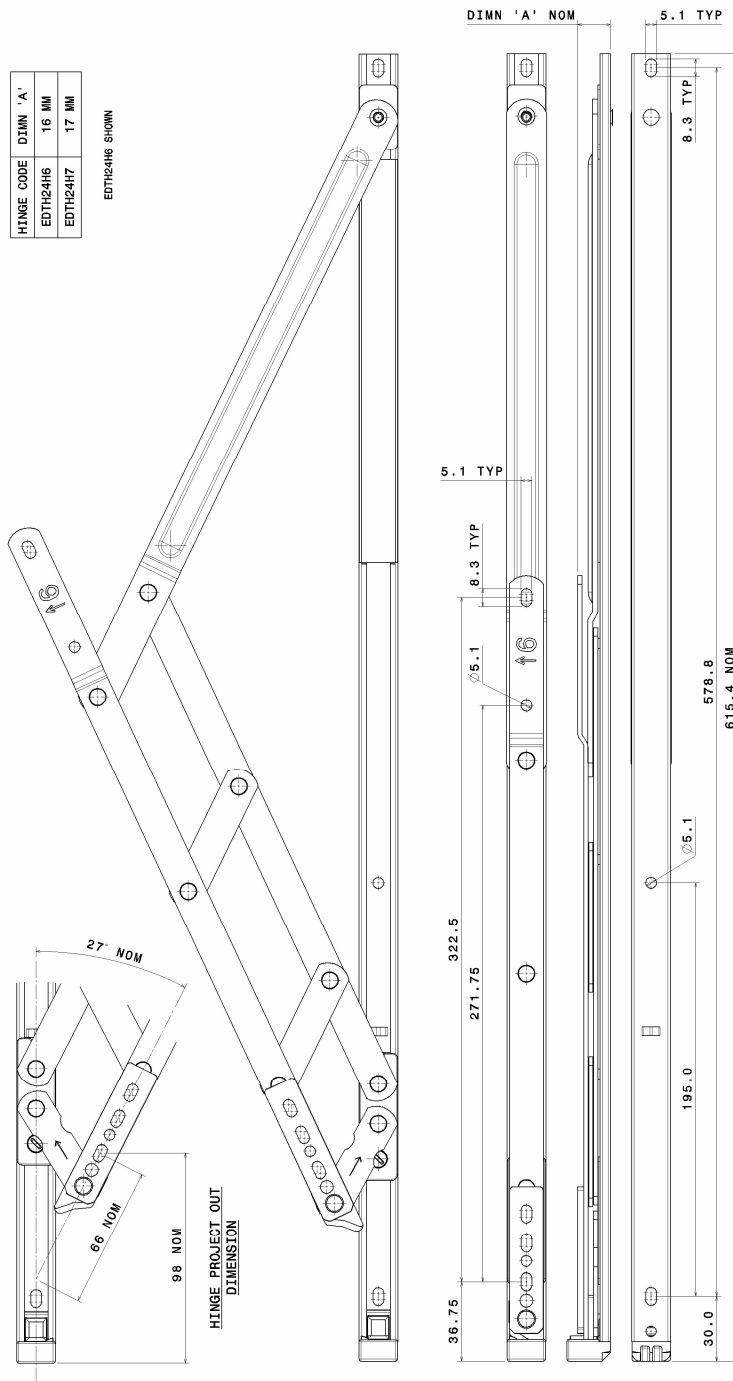
It is the responsibility of the window manufacturer to ensure that the finished window meets the required performance and safety specification.



Securistyle Ltd.
 Kingsmead Industrial Estate
 Princess Elizabeth Way, Cheltenham,
 Gloucestershire, GL51 7RE
 Tel: +44 (0) 1242 221200
 Fax: +44 (0) 1242 520828
 Web: www.securistyle.co.uk

HINGES

ASSEMBLY SHEET - EDTH24H6/H7 Top Hung Highline Hinges



Hinge Code	Max. Vent Weight (Kg)	Min. Vent Height (mm)	Max. Vent Height (mm)	Max. Vent Width (mm)	Hardware Cavity (mm)
EDTH24H6/H7	50	850	1500	See profile manufacturers recommendations	"A" +1/-0

Not to Scale, All dimensions in mm

It is the responsibility of the user to ensure that this document is at the latest issue.

Due to our policy of continual product improvement we reserve the right to alter specifications without notice.

It is the responsibility of the window manufacturer to ensure that the finished window meets the required performance and safety specification.

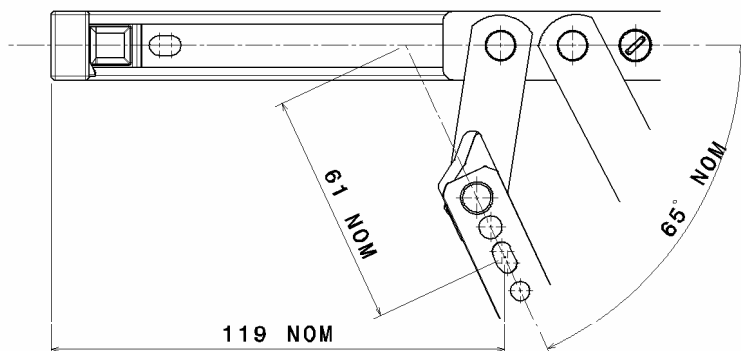


Securistyle Ltd.
Kingsmead Industrial Estate
Princess Elizabeth Way, Cheltenham,
Gloucestershire, GL51 7RE
Tel: +44 (0) 1242 221200
Fax: +44 (0) 1242 520828
Web: www.securistyle.co.uk

HINGES

ASSEMBLY SHEET - ED8H6/H7

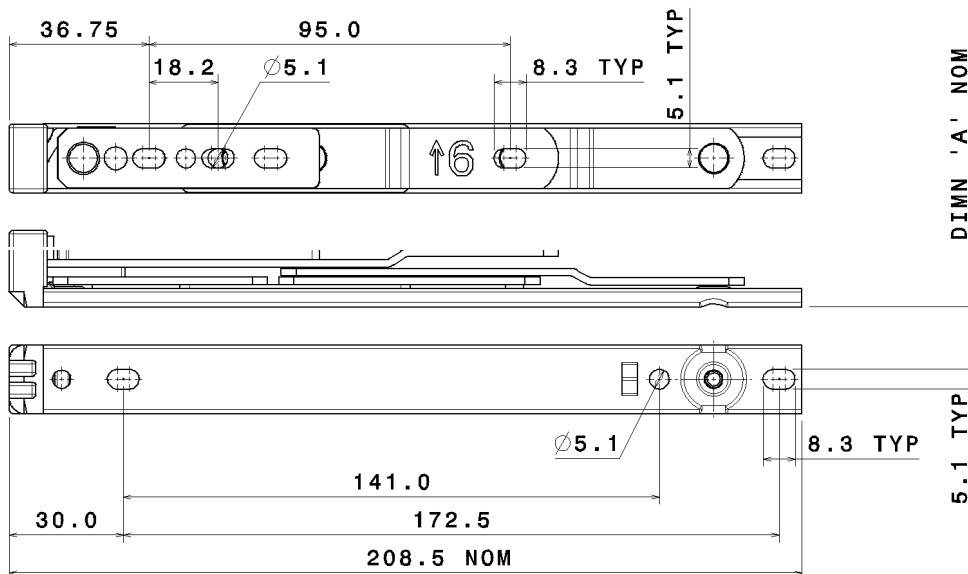
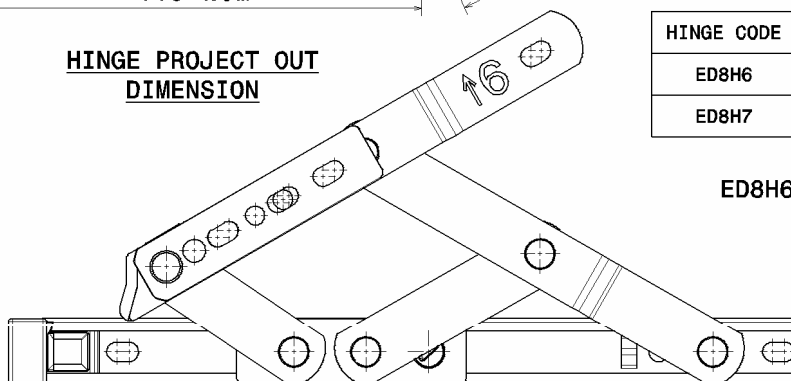
Side Hung Highline Hinges



**HINGE PROJECT OUT
DIMENSION**

HINGE CODE	DIMN 'A'
ED8H6	16 MM
ED8H7	17 MM

ED8H6 SHOWN



Hinge Code	Max. Vent Weight (Kg)	Min. Vent Width (mm)	Max. Vent Width (mm)	Max. Vent Height (mm)	Hardware Cavity (mm)
ED8H6/H7	18	200	400	See profile manufacturers recommendations	"A" +1/-0

Not to Scale, All dimensions in mm

It is the responsibility of the user to ensure that this document is at the latest issue.

Due to our policy of continual product improvement we reserve the right to alter specifications without notice.

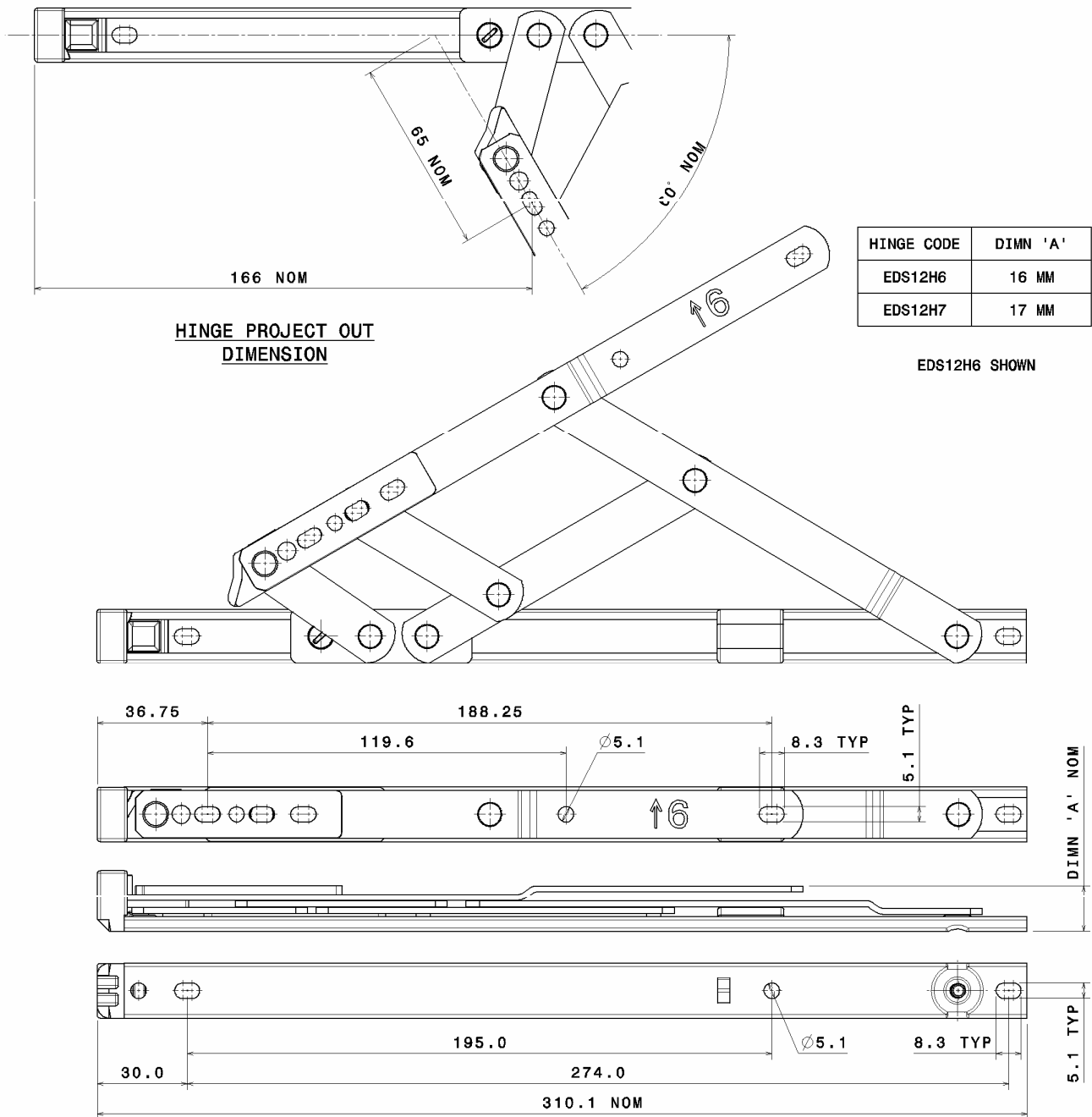
It is the responsibility of the window manufacturer to ensure that the finished window meets the required performance and safety specification.



Securistyle Ltd.
Kingsmead Industrial Estate
Princess Elizabeth Way, Cheltenham,
Gloucestershire, GL51 7RE
Tel: +44 (0) 1242 221200
Fax: +44 (0) 1242 520828
Web: www.securistyle.co.uk

HINGES

ASSEMBLY SHEET - EDS12H6/H7 Side Hung Highline Hinges



Hinge Code	Max. Vent Weight (Kg)	Min. Vent Width (mm)	Max. Vent Width (mm)	Max. Vent Height (mm)	Hardware Cavity (mm)
EDS12H6/H7	22	300	600	See profile manufacturers recommendations	"A" +1/-0

Not to Scale, All dimensions in mm

It is the responsibility of the user to ensure that this document is at the latest issue.

Due to our policy of continual product improvement we reserve the right to alter specifications without notice.

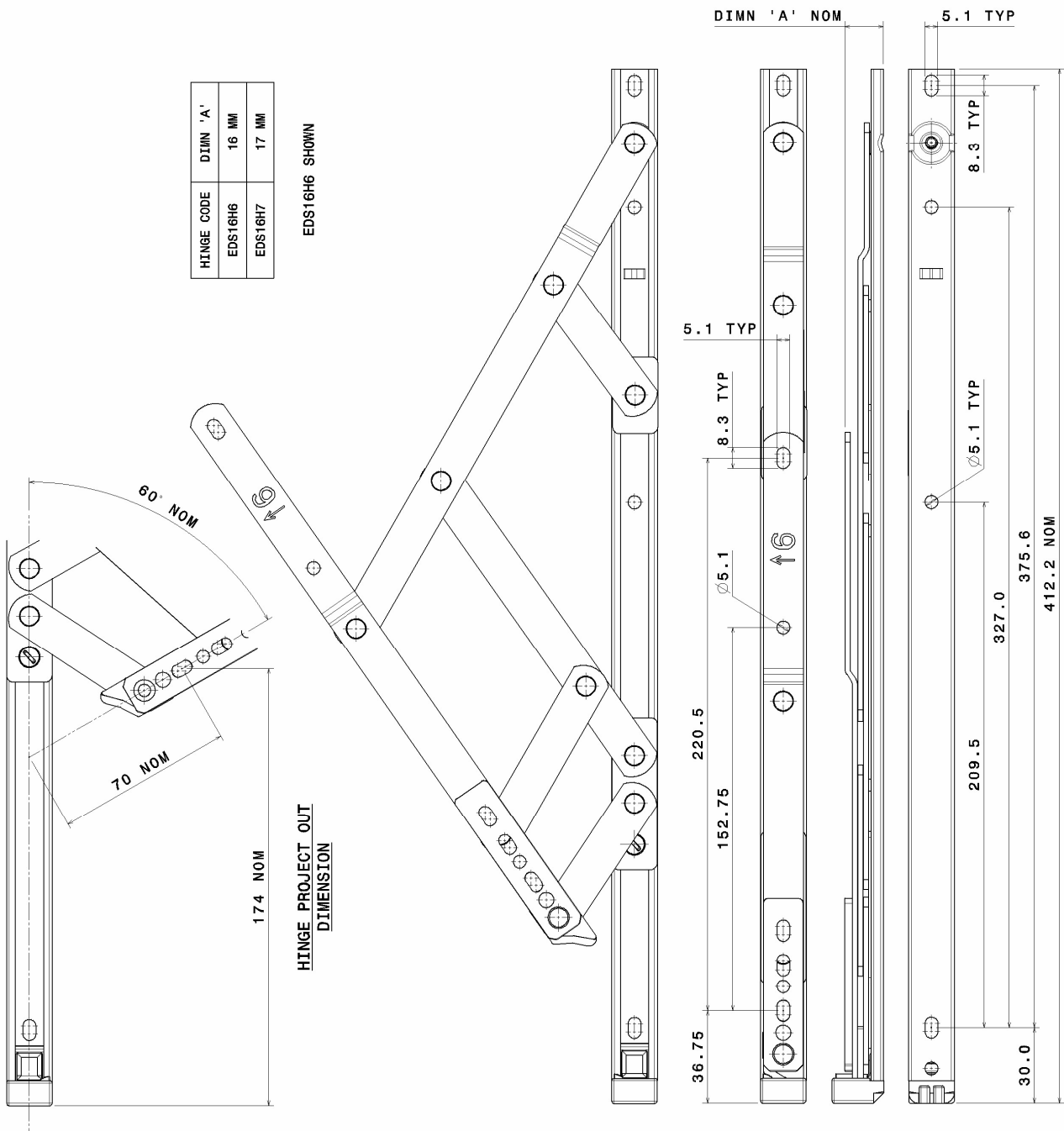
It is the responsibility of the window manufacturer to ensure that the finished window meets the required performance and safety specification.



Securistyle Ltd.
Kingsmead Industrial Estate
Princess Elizabeth Way, Cheltenham,
Gloucestershire, GL51 7RE
Tel: +44 (0) 1242 221200
Fax: +44 (0) 1242 520828
Web: www.securistyle.co.uk

HINGES

ASSEMBLY SHEET - EDS16H6/H7 Side Hung Highline Hinges



Hinge Code	Max. Vent Weight (Kg)	Min. Vent Width (mm)	Max. Vent Width (mm)	Max. Vent Height (mm)	Hardware Cavity (mm)
EDS16H6/H7	24	400	700	See profile manufacturers recommendations	"A" +1/-0

Not to Scale, All dimensions in mm

It is the responsibility of the user to ensure that this document is at the latest issue.

Due to our policy of continual product improvement we reserve the right to alter specifications without notice.

It is the responsibility of the window manufacturer to ensure that the finished window meets the required performance and safety specification.

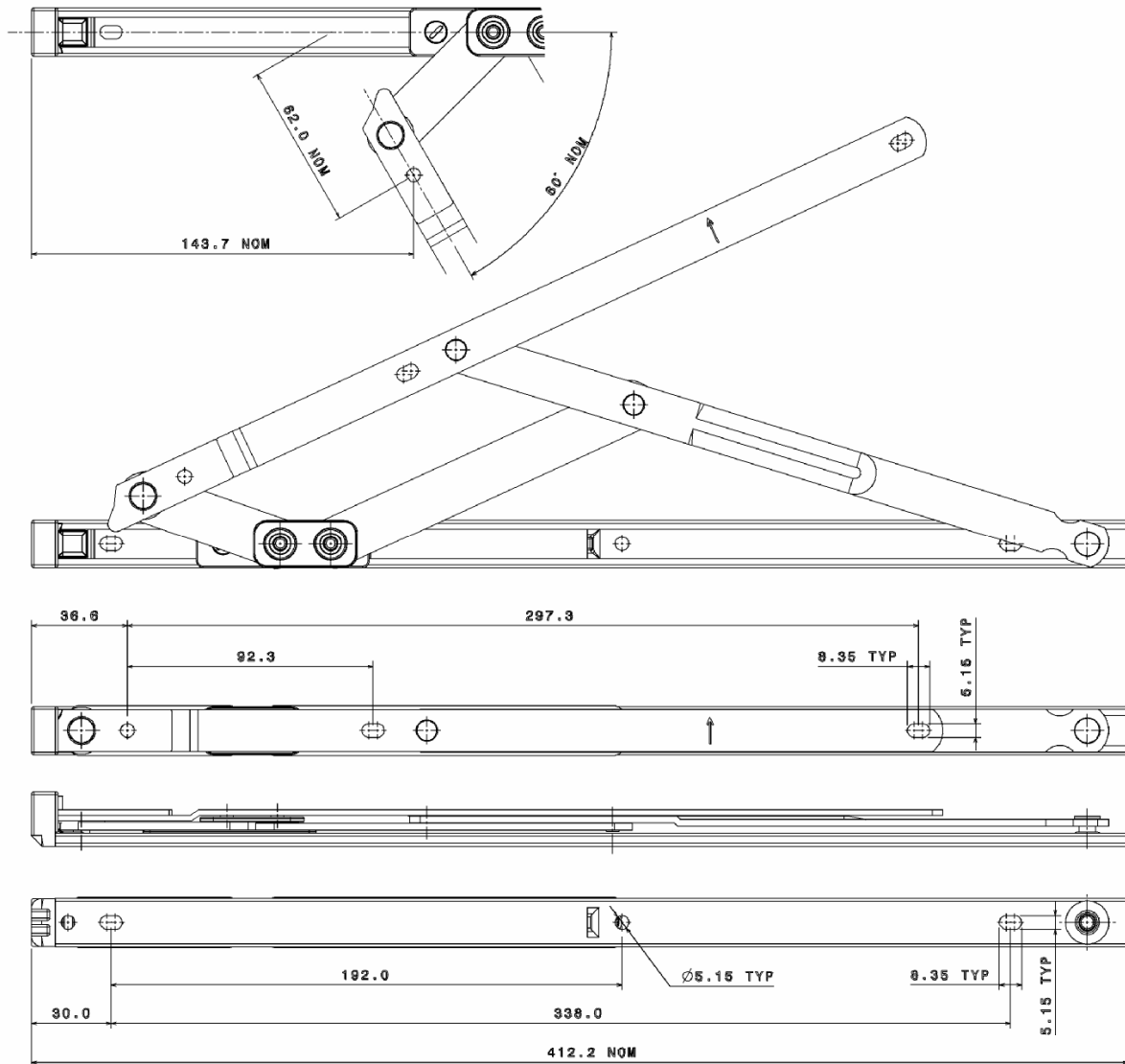


Securistyle Ltd.
Kingsmead Industrial Estate
Princess Elizabeth Way, Cheltenham,
Gloucestershire, GL51 7RE
Tel: +44 (0) 1242 221200
Fax: +44 (0) 1242 520828
Web: www.securistyle.co.uk

HINGES

ASSEMBLY SHEET - EDSH16A

Side Hung Hinge



Hinge Code	Max. Vent Weight (Kg)	Min. Vent Width (mm)	Max. Vent Width (mm)	Max. Vent Height (mm)	Hardware Cavity (mm)
EDSH16A	40	750	1000	See profile manufacturers recommendations	13 - 14

Not to Scale, All dimensions in mm

It is the responsibility of the user to ensure that this document is at the latest issue.

Due to our policy of continual product improvement we reserve the right to alter specifications without notice.

It is the responsibility of the window manufacturer to ensure that the finished window meets the required performance and safety specification.



Securistyle Ltd.
 Kingsmead Industrial Estate
 Princess Elizabeth Way, Cheltenham,
 Gloucestershire, GL51 7RE
 Tel: +44 (0) 1242 221200
 Fax: +44 (0) 1242 520828
 Web: www.securistyle.co.uk