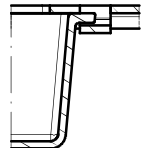
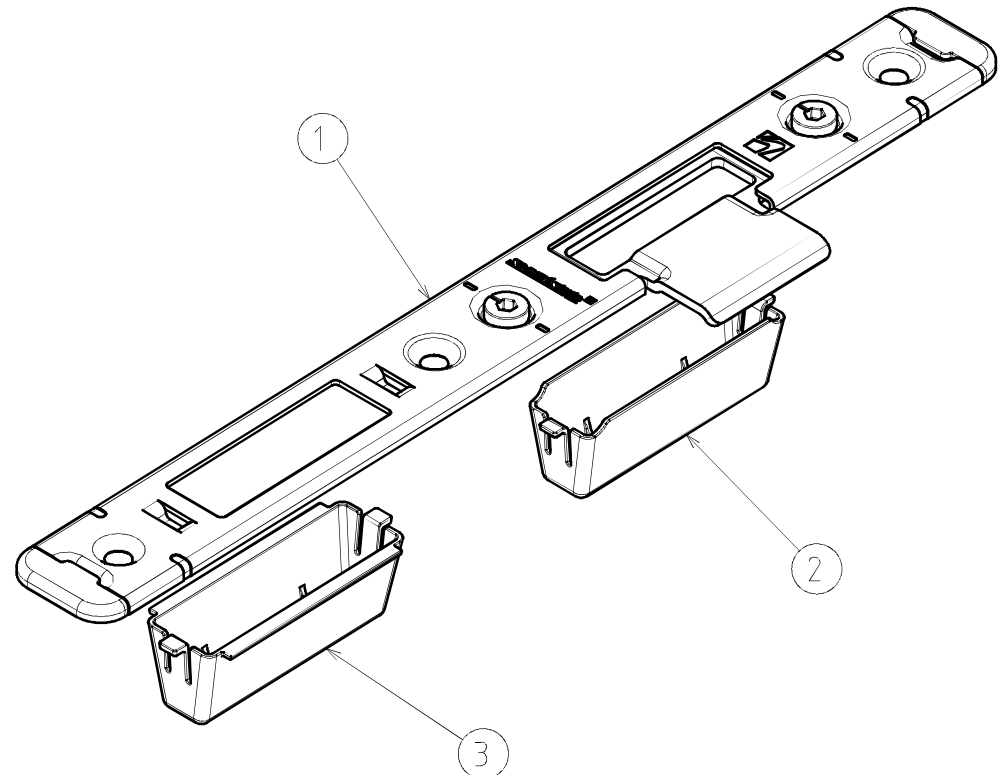


BUCKET CLIP FIT AS SHOWN
TYP 4 PLACES BY HAND



Section view A-A
Scale: 1:1

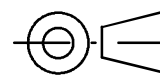


Bill of Material: LKF24BR

| Number | Part Number | Product Description | Quantity |
|--------|-------------|---------------------|----------|
| 1 | S700139 | 24MM CENTER KEEP RH | 1 |
| 2 | R720052 | LATCH BUCKET | 1 |
| 3 | R720053 | DEADBOLT BUCKET | 1 |

| | | | |
|------|--------------|----------|---------------|
| A | R3959 | 10/11/10 | SJH DAI |
| Iss. | Modification | Date | Sig. Chkd. |

DO NOT SCALE - If in doubt ask!
Tolerances u.o.s.
 x = ±0.5
 x.0 = ±0.2
 x.00 = ±0.1
 Angles ±0.5°



All dimensions in millimeters u.o.s.
 Remove sharp edges
 Concentricity within 0.3 T.I.R.

Drawn by: SJH
Date: 10/11/10
Checked by: DAI
Date: 10/11/10

Description:
 DOOR LOCK 430 24MM WIDE
 RIGHT CTR KEEP WITH
 BUCKETS
Used on:
 COMPOSITE DOORS
Similar to:
 LKA24BR
Raw Material:
 SEE TABLE

Scale: 1:1
 Sheet: 1 of 1

Securistyle
 Securistyle Ltd.
 Kingsmead Industrial Estate
 Princess Elizabeth Way, Cheltenham,
 Gloucestershire, GL51 7RE
 Tel: +44 (0)1242 221200
 Fax: +44 (0)1242 520828
 Web: www.securistyle.co.uk
 This drawing is the property of Securistyle Ltd. and
 must not be copied, reproduced or used without
 permission of Securistyle Ltd.

Drawing No.: LKF24BR
Issue: A