



288 Furniture Handle 85 & 92 centres

Brio Australia
 P: +61 2 87186718
 W: brio.com.au
 E: brio.sales@allegion.com

Brio UK
 P: +44 191 2291224
 W: briouk.com
 E: brio.sales.uk@allegion.com

Brio USA
 P: +1 585 3195599
 W: briousa.com
 E: brio.sales.usa@allegion.com

Components

288-85 furniture set

External furniture

Internal furniture

Springs

M5x55 fixing screws
 (44.5 [1 3/4] - 50 [2] panels)

M5x65 fixing screws
 (52 [2 1/6] - 57 [2 1/4] panels)

Spindle
 (cut for panels under 44.5 [1 3/4])

Installation

Machine panel
 Use template on reverse side

B = Back set
 HC = Handle spindle centre

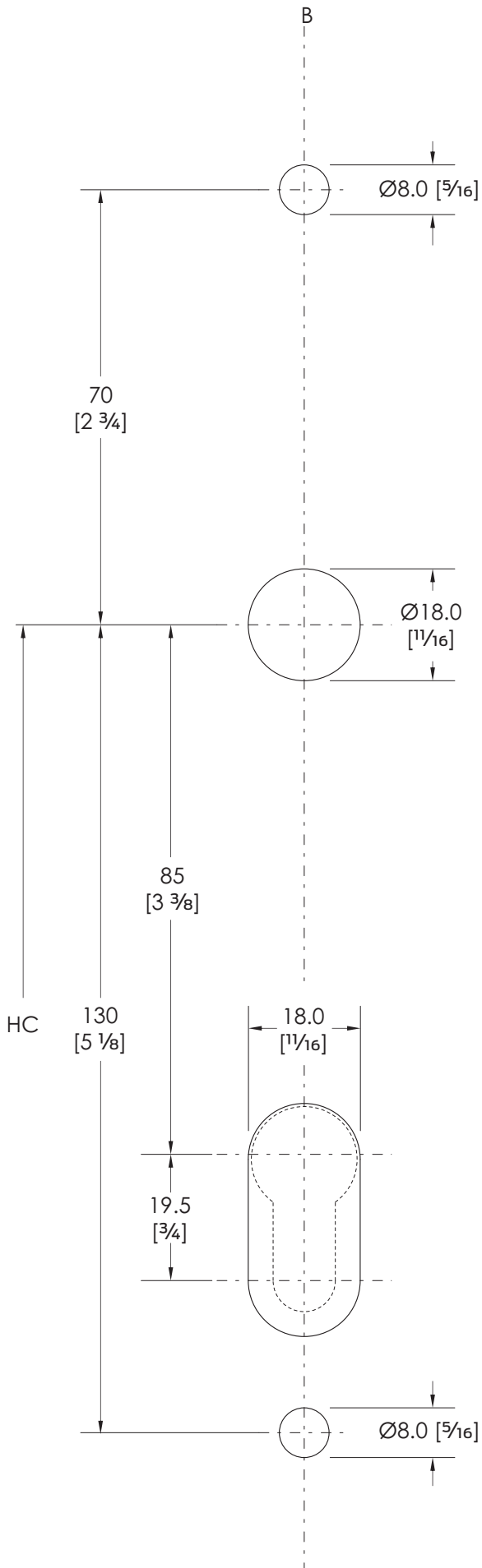
Install handle
 Ensure blank fascia is on the outside. Fix from the inside. Springs only required on panels greater than 44.5 [1 3/4]

Outside

Inside

Template Scale 1:1

85 centre



92 centre

