

# Brio®

## 288M Magnetic Furniture Handle 85 centres

Brio Australia  
 P: +61 2 87186718  
 W: [brio.com.au](http://brio.com.au)  
 E: brio.sales@allegion.com

Brio UK  
 P: +44 191 2291224  
 W: [briouk.com](http://briouk.com)  
 E: brio.sales.uk@allegion.com

Brio USA  
 P: +1 585 3195599  
 W: [briouqa.com](http://briouqa.com)  
 E: brio.sales.usa@allegion.com

### Components

288M-85 Magnetic furniture set

Magnetic catch (M)

External handle (E)

Internal handle (I)

Spring

M5x55 fixing screws (44.5 [1 3/4] - 50 [2] panels)

M5x65 fixing screws (52 [2 1/6] - 57 [2 1/4] panels)

Spindle (cut for panels under 44.5 [1 3/4])

Application (4s shown)

Outside

M

E

I

### Installation

Machine panels Use templates on reverse side

B

HC

Outside

B

HC

B = Back set, HC = Handle spindle centre

Install catch

Outside

Note: Ensure magnet is attracted to lever face before fixing

Install handle

Outside

Inside

Note: Spring not required on 44.5 [1 3/4] panels

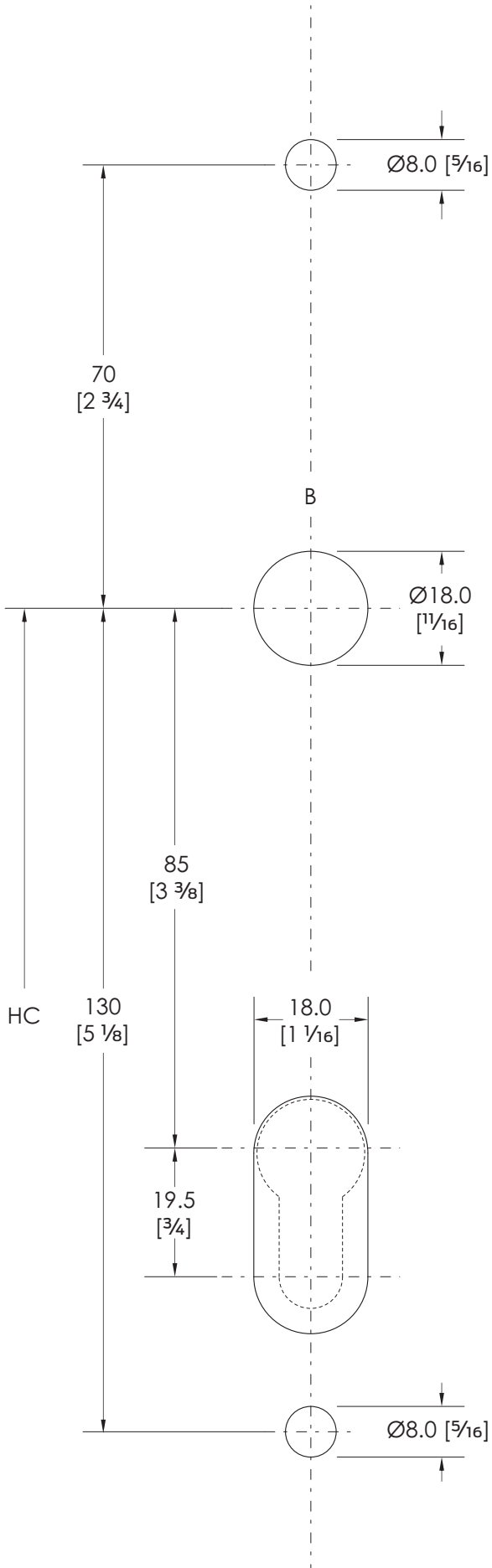
### Overview

16 [5/8]

# Template

Scale 1:1. B = Back set, HC = Handle spindle centre

## Handle template - 85 centre



## Magnetic catch template (opposite panel to handle)

