

Brio 93HSB Self Draining Sill

Brio Australia

P: +61 2 87186718

W: brio.com.au

E: brio.sales@allegion.com

Brio UK

P: +44 191 2291224

W: briouk.com

E: brio.sales.uk@allegion.com

Brio USA

P: +1 585 3195599

W: briousa.com

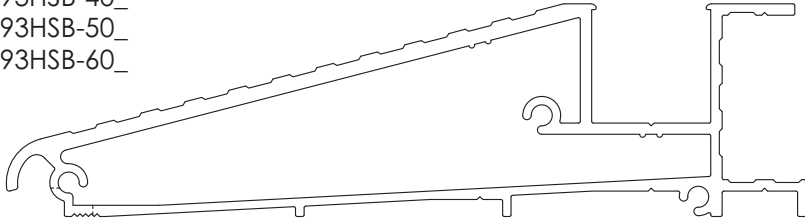
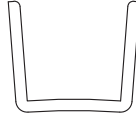
E: brio.sales.usa@allegion.com

Required Hardware anodising colour not specified

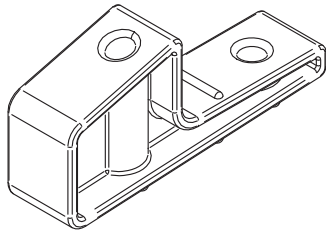
Supplied Hardware

- 93HSB-20_
- 93HSB-25_
- 93HSB-30_
- 93HSB-35_
- 93HSB-40_
- 93HSB-50_
- 93HSB-60_

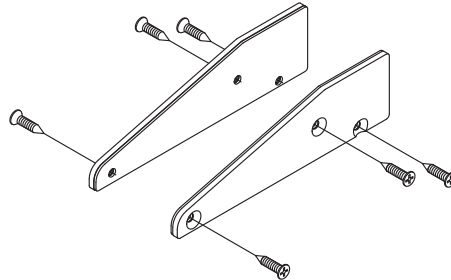
94P Polypropylene Channel
supplied in 2, 2.5, 3, 3.5, 4, 5 and 6m lengths



93HSB Aluminium Extrusion
supplied in 2, 2.5, 3, 3.5, 4, 5 and 6m lengths

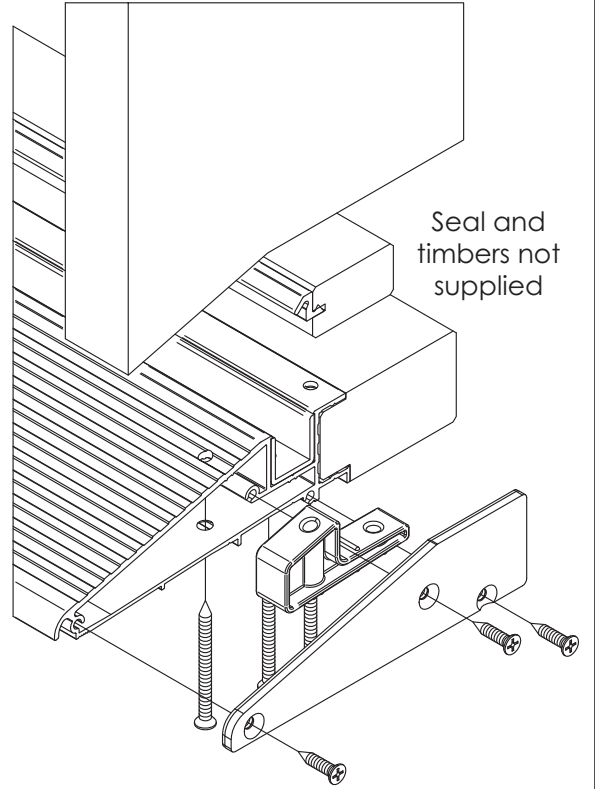


93B Screw Block
2 supplied per kit



93AEC End Caps
1 set (left and right) supplied per kit

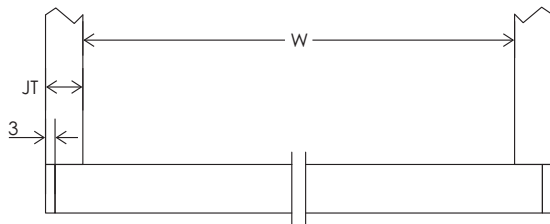
Assembled Sill



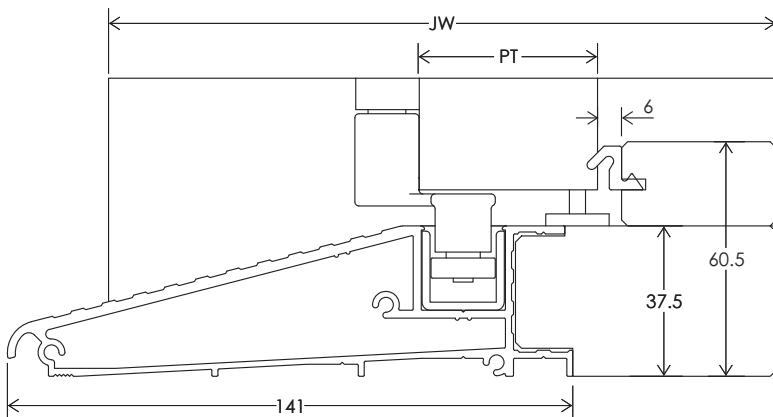
Seal and
timbers not
supplied

Preparing Sill Timbers

System Details

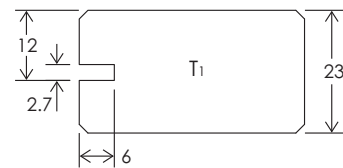


Cut 93HSB and 94P to length = $W + 2(JT) - 6$

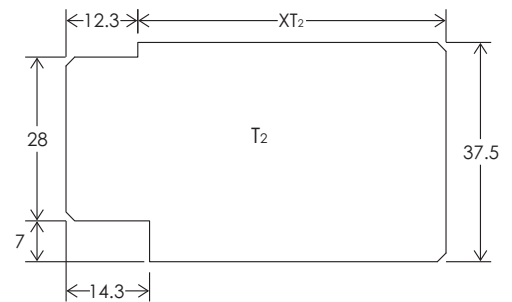


W = Opening width between jambs
JT = Jamb Thickness
JW = Jamb Width
PT = Panel Thickness

Cutting Timbers



Cut to length = W



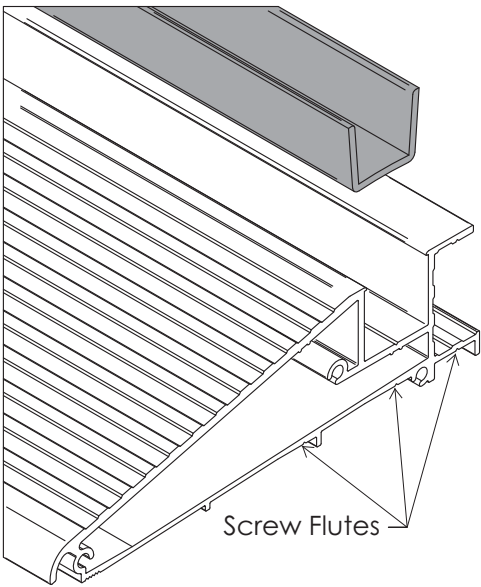
Cut to length = $W + 2(JT) - 6$
 XT_2 decided by installer

Seal AQ21 can be purchased from Brio for the full perimeter seal

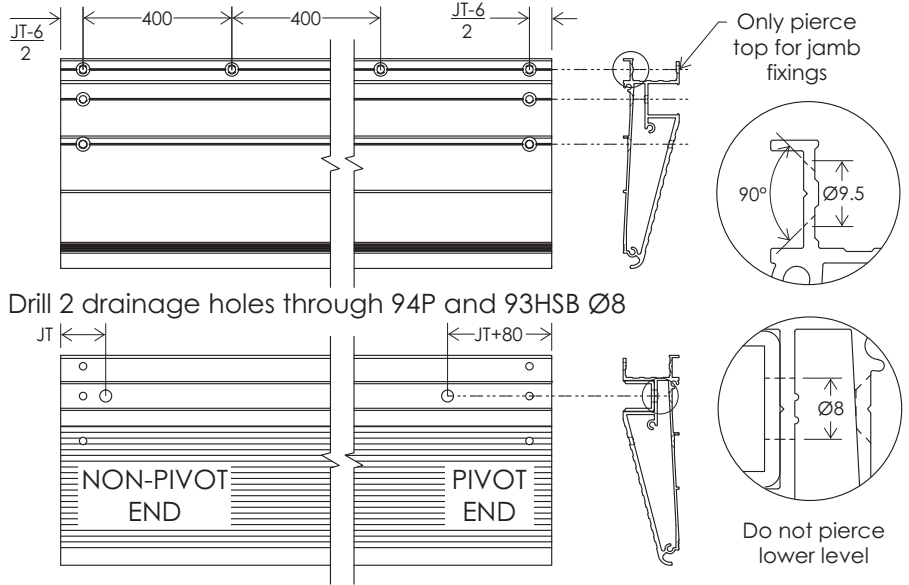


Preparing Sill Base

Insert 94P into 93HSB



Drill 3 holes $\text{Ø}9.5 \times 90^\circ$ at either end of sill through screw flutes. Fixing holes for timber T_2 are placed at 400mm intervals (also $\text{Ø}9.5 \times 90^\circ$)

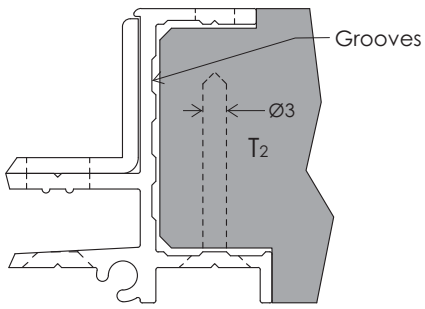


Drill 2 drainage holes through 94P and 93HSB $\text{Ø}8$

Assembling Sill

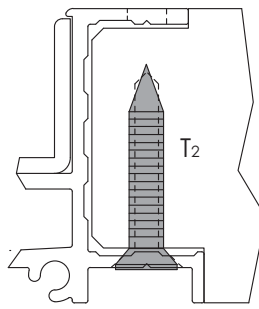
use building adhesives and sealants were recommended

Apply adhesive to 93HSB's grooves and attach timber T_2



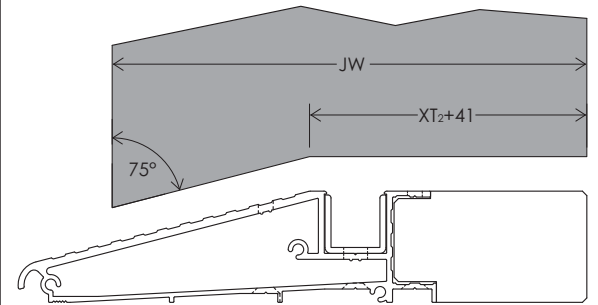
Drill holes $\text{Ø}3$ to match fixing holes

Screw fix timber T_2 to 93HSB except at ends



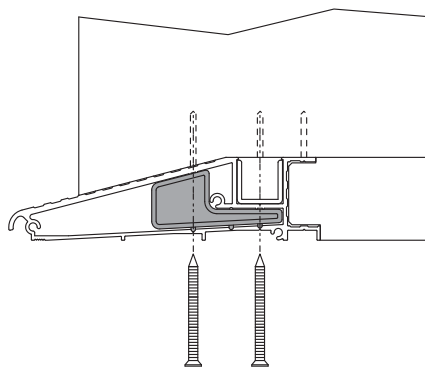
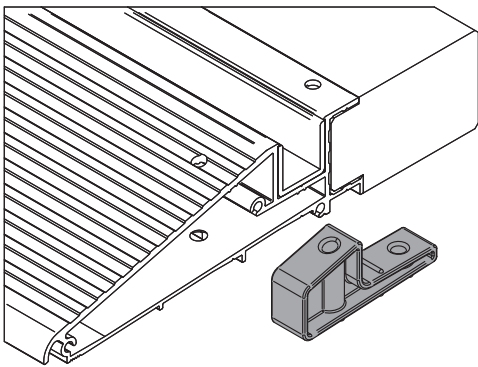
8G x 19 Screws

Shape Jamb to match profile of 93HSB

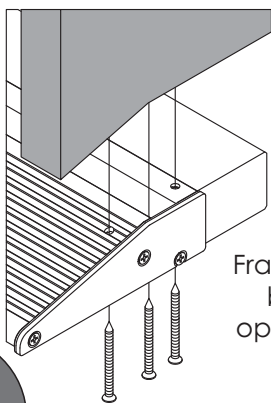
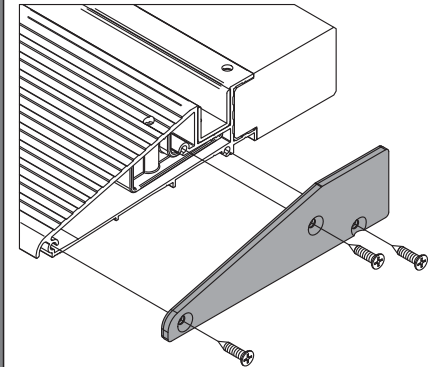


Drill holes $\text{Ø}3$ to match jamb fixing holes

Insert 93SB into 93HSB and align holes with drilled holes for jamb fixings



Attach 93AEC - screws supplied



Attach jamb to sill - apply sealant to screw heads

Frame can then be fixed to opening on-site

Timber T_1 can be pinned in place once system has been installed

