

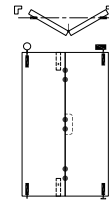
This Guide to Quantities is only applicable to Data Sheets E120 and E130.

Specification for Individual Panels

	Weatherfold 4s 50	Weatherfold 4s 100
Track System	E120	E120
Refer to Data Sheet		
Max Panel Height	3000mm	3300mm
Max Panel Weight	50kg	75/100kg
Max Panel Width	1000mm	1000mm
Min Panel Thickness	35mm	35mm
Max Number of Panels	8 each direction	8 each direction

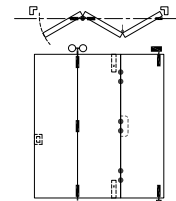
2 Panel Unit

	Quantities	Product Codes	
Track	1	180-A20	250-A20
Pivot Set	1	BWS1-100H	BWS1-100H
Hinge Handle Set	1	BW3-100H	BW3-100H
End Hanger Set	1	BWS2-50SH	BWS2-100SH
Flush Bolt Top	1	456*	456*
Flush Bolt Bottom	1	456E*	456E*
Channel	1	94PPA-A20	94PPA-A20



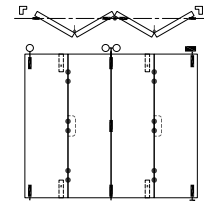
3 Panel Unit

	Quantities	Product Codes	
Track	1	180-A30	250-A30
Pivot Set	1	BWS1-100H	BWS1-100H
Offset Hinge Handle Set	1	BW7-100H	BW7-100H
Intermediate Hanger Set	1	BWS4-50SH	BWS4-100SH
Flush Bolt Top	1	456*	456*
Flush Bolt Bottom	1	456E*	456E*
Channel	1	94PPA-A30	94PPA-A30



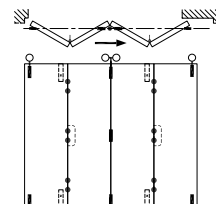
4 Panel Unit

	Quantities	Product Codes	
Track	1	180-A40	250-A40
Pivot Set	1	BWS1-100H	BWS1-100H
Offset Hinge Handle Set	2	BW7-100H	BW7-100H
Intermediate Hanger Set	1	BWS4-50SH	BWS4-100SH
End Hanger Set	1	BWS2-50SH	BWS2-100SH
Flush Bolt Top	2	456*	456*
Flush Bolt Bottom	2	456E*	456E*
Channel	1	94PPA-A40	94PPA-A40



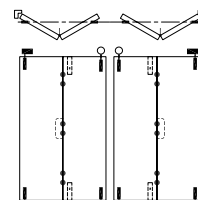
4 Panel Unit 'Floating'

	Quantities	Product Codes	
Track	1	180-A40	250-A40
Offset Hinge Handle Set	2	BW7-100H	BW7-100H
Intermediate Hanger Set	1	BWS4-50SH	BWS4-100SH
End Hanger Set	2	BWS2-50SH	BWS2-100SH
Flush Bolt Top	2	456*	456*
Flush Bolt Bottom	2	456E*	456E*
Channel	1	94PPA-A40	94PPA-A40



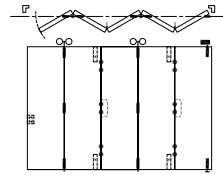
2+2 Panel Unit

	Quantities	Product Codes	
Track	1	180-A40	250-A40
Pivot Set	2	BWS1-100H	BWS1-100H
Hinge Handle Set	2	BW3-100H	BW3-100H
Hanger Set - Meeting	1	BWS8-50S	BWS8-100S
Flush Bolt Top	2	456*	456*
Flush Bolt Bottom	2	456E*	456E*
Channel	1	94PPA-A40	94PPA-A40



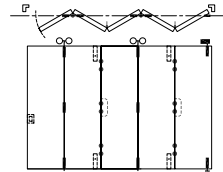
5 Panel Unit

	Quantities	Weatherfold 4s 50 Product Codes	Weatherfold 4s 100 Product Codes
Track	1	180-A60	250-A60
Pivot Set	1	BWS1-100H	BWS1-100H
Offset Hinge Handle Set	1	BW7-100H	BW7-100H
Intermediate Hanger Set	2	BWS4-50SH	BWS4-100SH
Hinge Handle Set	1	BW3-100H	BW3-100H
Flush Bolt Top	2	456*	456*
Flush Bolt Bottom	2	456E*	456E*
Channel	1	94PPA-A60	94PPA-A60



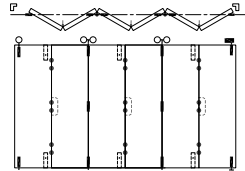
6 Panel Unit

	Quantities	Weatherfold 4s 50 Product Codes	Weatherfold 4s 100 Product Codes
Track	1	180-A60	250-A60
Pivot Set	1	BWS1-100H	BWS1-100H
Offset Hinge Handle Set	2	BW7-100H	BW7-100H
Intermediate Hanger Set	2	BWS4-50SH	BWS4-100SH
Hinge Handle Set	1	BW3-100H	BW3-100H
End Hanger Set	1	BWS2-50SH	BWS2-100SH
Flush Bolt Top	3	456*	456*
Flush Bolt Bottom	3	456E*	456E*
Channel	1	94PPA-A60	94PPA-A60



6 Panel Unit 'Floating'

	Quantities	Weatherfold 4s 50 Product Codes	Weatherfold 4s 100 Product Codes
Track	1	180-A60	250-A60
Offset Hinge Handle Set	2	BW7-100H	BW7-100H
Intermediate Hanger Set	2	BWS4-50SH	BWS4-100SH
Intermediate Hinge Set	1	BW3-100H	BW3-100H
End Hanger Set	2	BWS2-50SH	BWS2-100SH
Flush Bolt Top	3	456*	456*
Flush Bolt Bottom	3	456E*	456E*
Channel	1	94PPA-A60	94PPA-A60



*Note, for aluminium systems refer to data sheet E130. On 2+2 units replace BWS8-50 or BWS8-100 with quantity 2 BWS2-50F or BWS2-100F respectively.

Replace 456 and 456RE flush bolts with 512 and 512E respectively. Alternatively top and bottom flush bolts can be replaced with dual point lock 286 in timber and aluminium.

Application

For residential and commercial folding systems where weatherproofing of the opening is required.

This section covers Weatherfold 4s 50 & 100 hardware suitable for non mortice timber applications.

For extra corrosion resistance, Weatherfold 4s is supplied with precision stainless steel bearings. Hangers are cast 316 marine stainless steel.

Panel Specification

Track System:	Weatherfold 4s 50	Weatherfold 4s 100
Max Panel Height	3000mm	3300mm
Max Panel Weight	50kg	100kg
Max Panel Width	1000mm	1000mm
Panel Thickness	35mm	35mm
Max Number of Panels	8 each direction	8 each direction

Hardware Specification

Track:	180	250
Material	Aluminium in Mill or Clear Anodised	
Standard Lengths	2000mm, 3000mm, 4000mm and 6000mm	

Hanger Sets:	BWS4-50SH	BWS4-100SH
Intermediate Hanger Set:	BWS4-50SH	BWS4-100SH
End Hanger Set:	BWS2-50SH	BWS2-100SH
Meeting Door Hanger Set - Rebate (includes 2 hangers)	BWS8-50	BWS8-100

Pivot Set:	BWS1-100H	BWS1-100H
	BWS1-100H	BWS1-100H

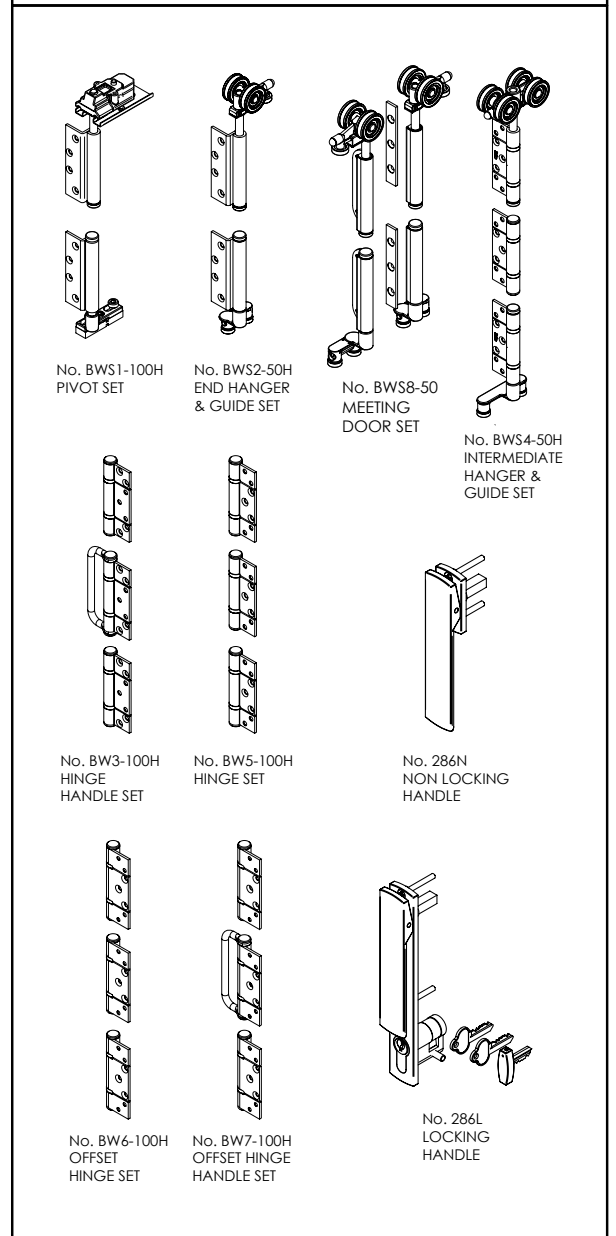
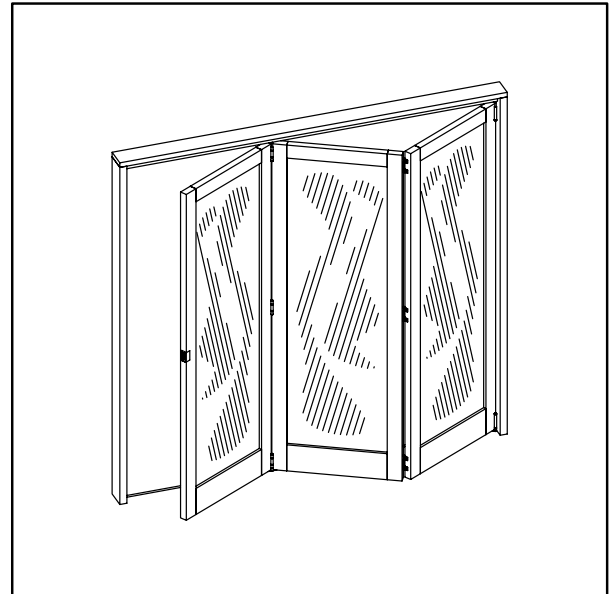
Jamb Pivot:	BW189H	BW189H
	BW189H	BW189H

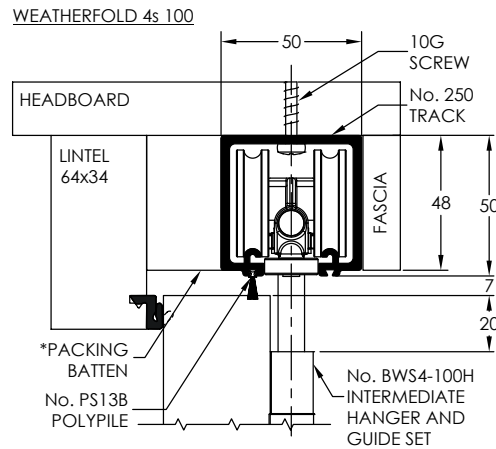
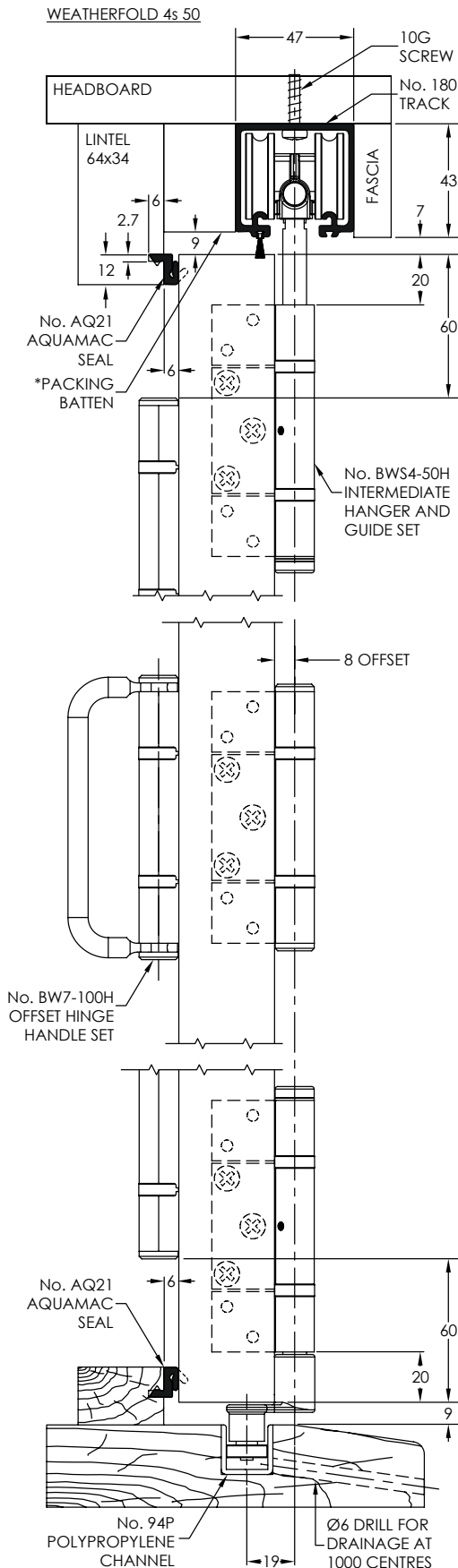
Hinge Sets:	BW3-100H	BW3-100H
Hinge Handle Set	BW3-100H	BW3-100H
Offset Hinge Handle Set	BW7-100H	BW7-100H
Hinge Set	BW5-100H	BW5-100H
Offset Hinge Set	BW6-100H	BW6-100H

Channels:	94P	94P
Polypropylene	94P	94P
Polyprop Plus Support	94PPA	94PPA
Aluminium	94A	94A
Standard lengths	2000mm, 3000mm, 4000mm and 6000mm	

Accessories:	286T/35	286T/35
Lock Body - 35mm back set	286T/35	286T/35
Lock Body - 45mm back set	286T/45	286T/45
Non Locking Handle	286N	286N
Locking Handle 38-44mm panel	286L-30	286L-30
Locking Handle 44mm+ panel (Rod pack dependant on panel)	286L-30	286L-30
Flush Pull	401	401
Flush Bolt - 190mm	456	456
Flush Bolt - 450mm	456L	456L
Security Aligner	199SS	199SS
Frame Seal - White	AQ21W	AQ21W
Frame Seal - Brown	AQ21B	AQ21B
Door Seal - White	AQ63W	AQ63W
Door Seal - Brown	AQ63B	AQ63B
Track Seal	PS13B	PS13B

Finish options
 Dual Point Lock: (SS) Satin Stainless, (PS) Polished Stainless, (SN) Satin Nickel, (PBR) Powdercoat Black
 Hardware: (SS) Satin Stainless, (PS) Polished Stainless, (PB) PVD Brass.
 Flush bolts: (SN) Satin Nickel, (PVDB) PVD Brass.



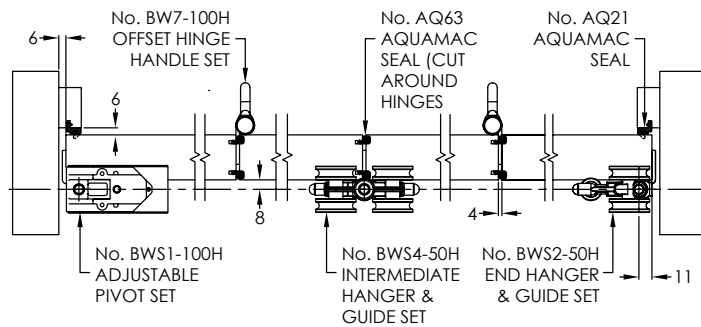


*PACKING BATTEN THICKNESS

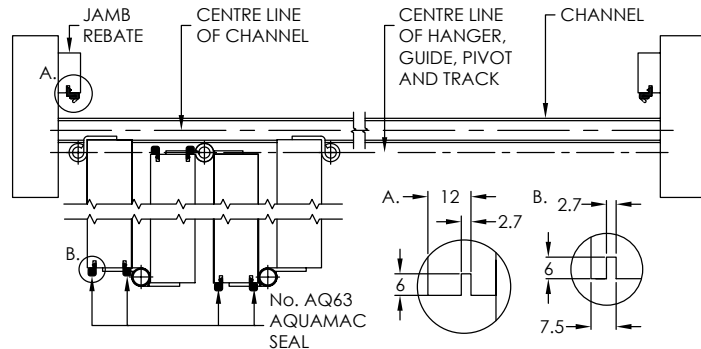
50kg TRACK:
 9.5mm LESS THAN
 PANEL THICKNESS

100kg TRACK:
 11mm LESS THAN
 PANEL THICKNESS

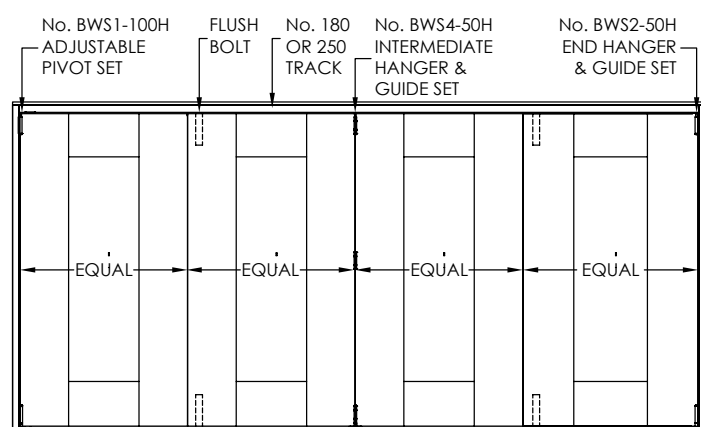
4+0 PANEL OUTWARD OPENING SYSTEM - CLOSED
 (SHOWN WITHOUT TRACK OR HEAD SECTION)



4+0 PANEL OUTWARD OPENING SYSTEM - OPEN
 (SHOWN WITHOUT HEAD SECTION)



4+0 PANEL OUTWARD OPENING SYSTEM - CLOSED
 (TYPICAL OUTSIDE ELEVATION)



Application

For residential and commercial folding systems where weatherproofing of the opening is required.

This section covers Weatherfold 4s 50 & 100 hardware suitable for non mortice aluminium applications.

For extra corrosion resistance, Weatherfold 4s is supplied with precision stainless steel bearings. Hangers are cast 316 marine stainless steel.

Panel Specification

Track System:	Weatherfold 4s 50	Weatherfold 4s 100
Max Panel Height	3000mm	3300mm
Max Panel Weight	50kg	100kg
Max Panel Width	1000mm	1000mm
Panel Thickness	35mm	35mm
Max Number of Panels	8 each direction	8 each direction

Hardware Specification

Track:	180	250
Material	Aluminium in Mill or Clear Anodised	
Standard Lengths	2000mm, 3000mm, 4000mm and 6000mm	

Hanger Sets:		
Intermediate Hanger Set:	BWS4-50SH	BWS4-100SH
End Hanger Set:		
Face Fix	BWS2-50SF	BWS2-100SF
Edge Fix	BWS2-50SH	BWS2-100SH

Pivot Set:		
Face Fix	BWS1-100F	BWS1-100F
Edge Fix	BWS1-100H	BWS1-100H

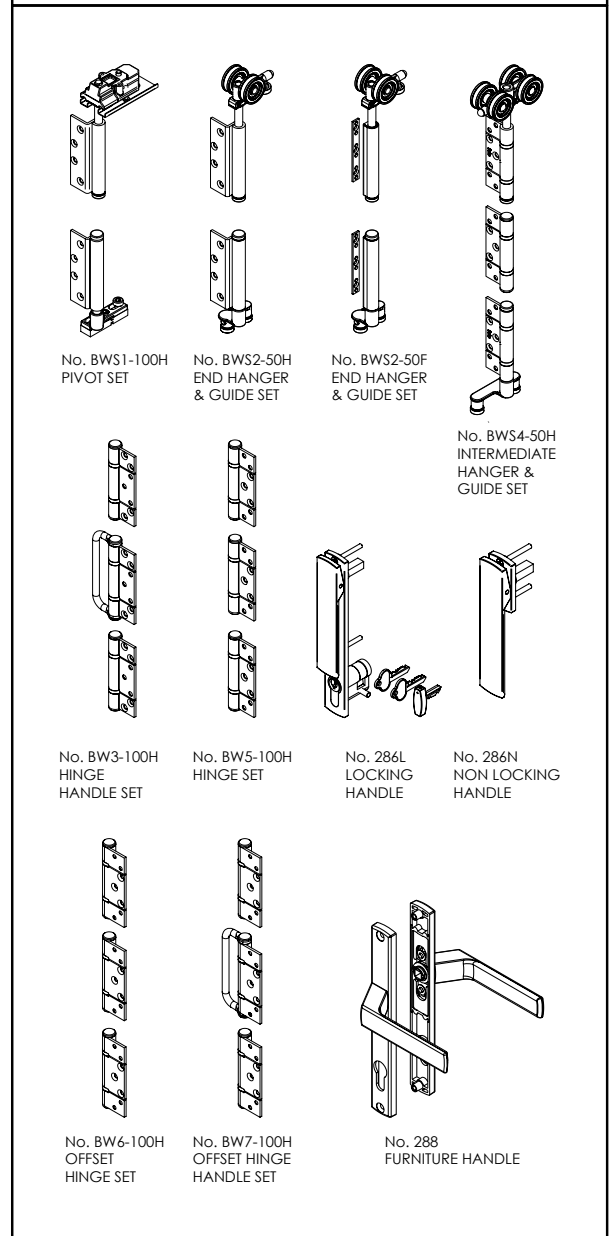
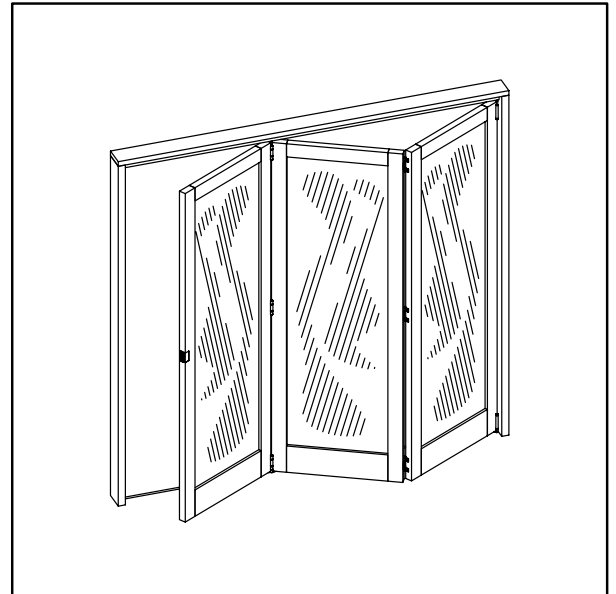
Jamb Pivot:	BW189F	BW189F
-------------	--------	--------

Hinge Sets:		
Hinge Handle Set	BW3-100H	BW3-100H
Offset Hinge Handle Set	BW7-100H	BW7-100H
Hinge Set	BW5-100H	BW5-100H
Offset Hinge Set	BW6-100H	BW6-100H

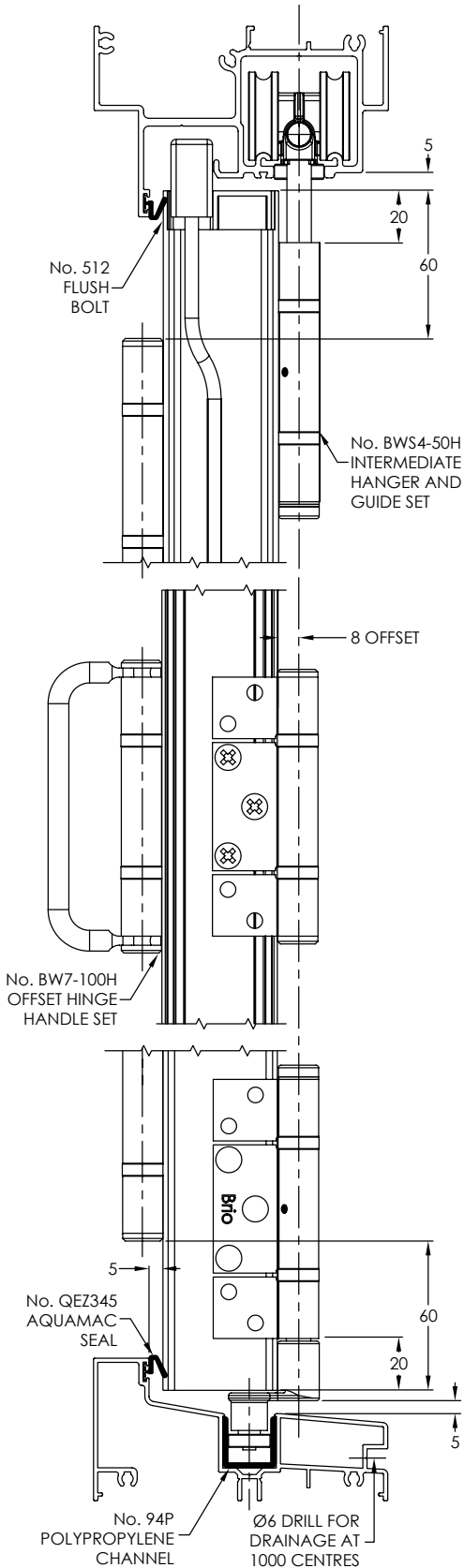
Channels:		
Polypropylene	94P	94P
Polyprop Plus Support	94PPA	94PPA
Aluminium	94A	94A
Standard lengths	2000mm, 3000mm, 4000mm and 6000mm	

Accessories:		
Lever Furniture	288	288
Lock Body	286A	286A
Non Locking Body	286N	286N
Locking Handle (Rod pack dependant on panel)	286L-40	286L-40
Flush Pull	402	402
Flush Bolt - 400mm	512-400	512-400
Flush Bolt - 600mm	512-600	512-600
Flush Bolt - 900mm	512-900	512-900

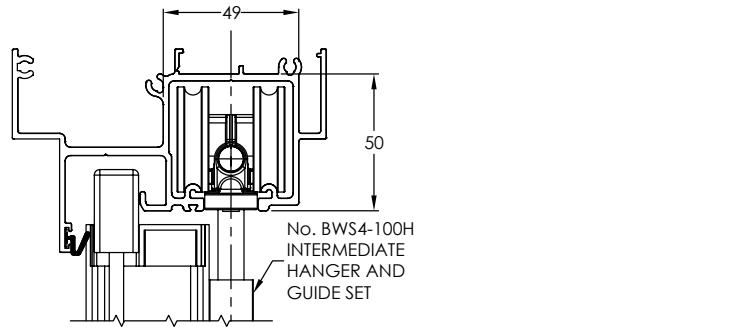
Finish options
 Dual Point Lock: (SS) Satin Stainless, (PS) Polished Stainless, (SN) Satin Nickel,
 (PBR) Powdercoat Black
 Hardware: (SS) Satin Stainless
 Flush bolts: (SS) Satin Stainless



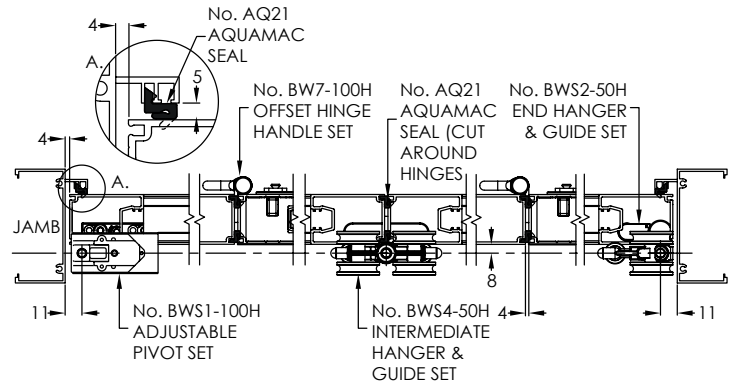
WEATHERFOLD 4s 50



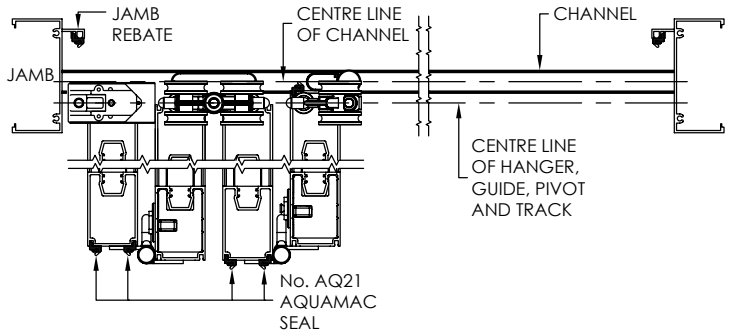
WEATHERFOLD 4s 100



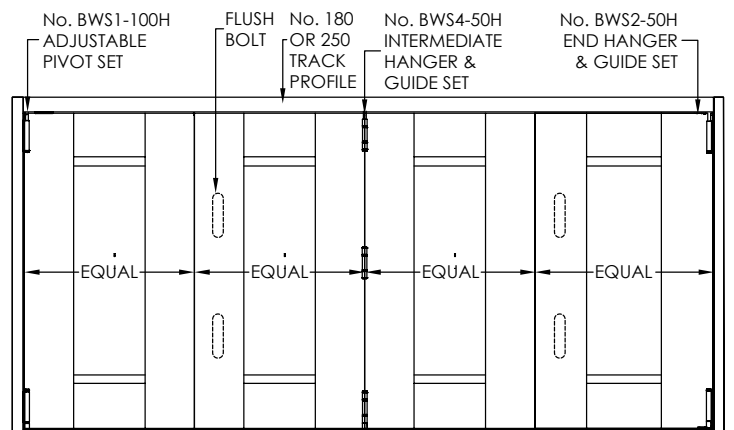
4+0 PANEL OUTWARD OPENING SYSTEM - CLOSED (SHOWN WITHOUT TRACK OR HEAD SECTION)



4+0 PANEL OUTWARD OPENING SYSTEM - OPEN (SHOWN WITHOUT HEAD SECTION)



4+0 PANEL OUTWARD OPENING SYSTEM - CLOSED (TYPICAL OUTSIDE ELEVATION)



Application

For residential and commercial folding systems where weatherproofing of the opening is required.

This section covers Weatherfold 4s 50 & 100 Mortice Round Corner Hinge hardware for timber panels. The high-strength hinges are manufactured from 3mm thick stainless steel with round corners.

For extra corrosion resistance, Weatherfold 4s is supplied with precision stainless steel bearings. Hangers are cast 316 marine stainless steel.

Panel Specification

Track System:	Weatherfold 4s 50	Weatherfold 4s 100
Max Panel Height	3000mm	3300mm
Max Panel Weight	50kg	100kg
Max Panel Width	1000mm	1000mm
Panel Thickness	44mm	44mm
Max Number of Panels	8 each direction	8 each direction

Hardware Specification

Track:	180	250
Material	Aluminium in Mill or Clear Anodised	
Standard Lengths	2000mm, 3000mm, 4000mm and 6000mm	

Hanger Sets:		
Intermediate Hanger Set:	BWS4-50ST	BWS4-100ST
End Hanger Set:	BWS2-50ST	BWS2-100ST

Pivot Sets:	BWS1-100T	BWS1-100T

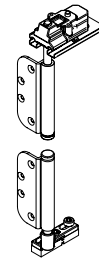
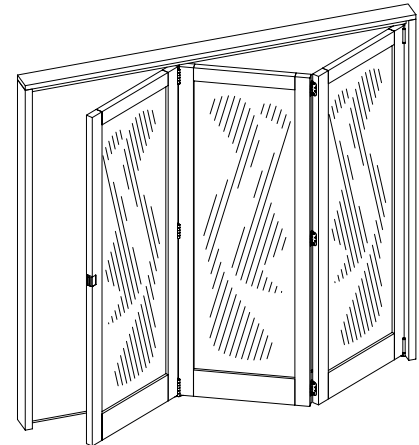
Jamb Pivot:	BW189T	BW189T

Hinge Sets:		
Hinge Handle Set	BW3-100T	BW3-100T
Offset Hinge Handle Set	BW7-100T	BW7-100T
Hinge Set	BW5-100T	BW5-100T
Offset Hinge Set	BW6-100T	BW6-100T

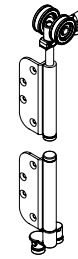
Channels:		
Polypropylene	94P	94P
Polyprop Plus Support	94PPA	94PPA
Aluminium	94A	94A
Standard lengths	2000mm, 3000mm, 4000mm and 6000mm	

Accessories:		
Flush Pull	401	401
Flush Bolt - 190mm	456	456
Flush Bolt - 450mm	456L	456L
Security Aligner	199SS	199SS
Frame Seal - White	AQ21W	AQ21W
Frame Seal - Brown	AQ21B	AQ21B
Door Seal - White	AQ63W	AQ63W
Door Seal - Brown	AQ63B	AQ63B
Track Seal	PS13B	PS13B

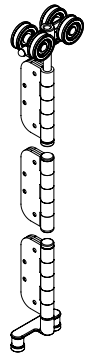
Finish options
 Hardware: (SS) Satin Stainless, (PS) Polished Stainless, (PB) PVD Brass.
 Flush bolts: (SN) Safin Nickel, (PVDB) PVD Brass.



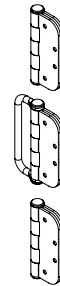
No. BWS1-100T
PIVOT SET



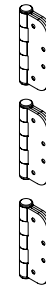
No. BWS2-50T
END HANGER
& GUIDE SET



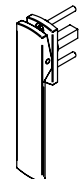
No. BWS4-50T
INTERMEDIATE
HANGER &
GUIDE SET



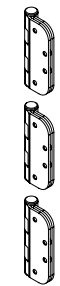
No. BW3-100T
HINGE
HANDLE SET



No. BW5-100T
HINGE SET



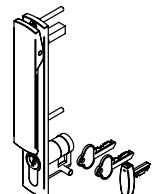
No. 286N
NON LOCKING
HANDLE



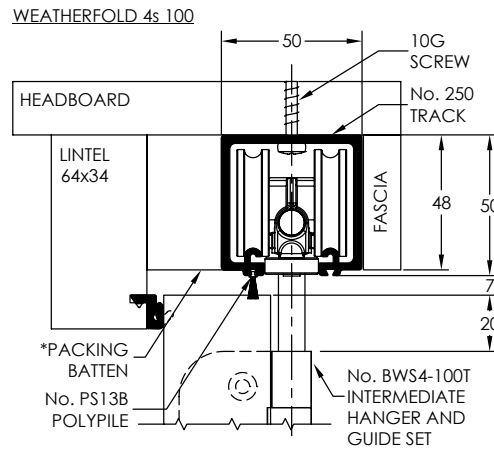
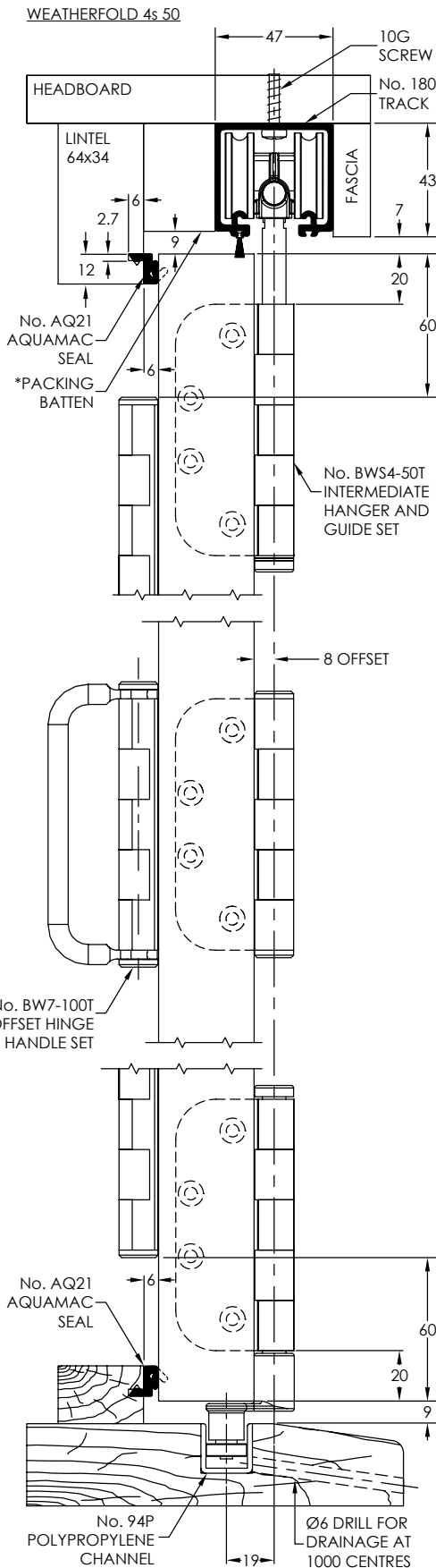
No. BW6-100T
OFFSET
HINGE SET



No. BW7-100T
OFFSET HINGE
HANDLE SET



No. 286L
LOCKING HANDLE

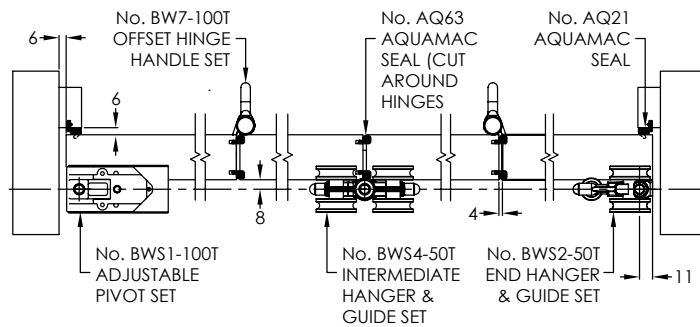


*PACKING BATTEN THICKNESS

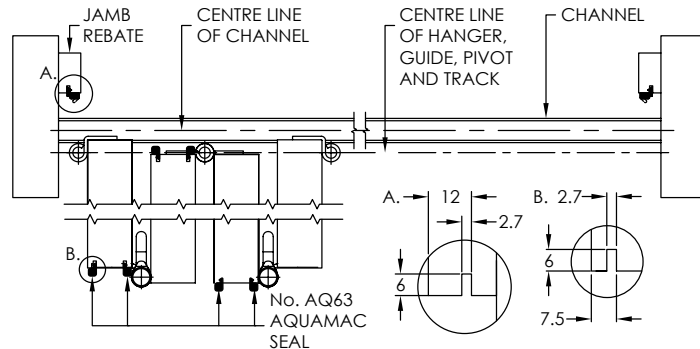
50kg TRACK:
9.5mm LESS THAN
PANEL THICKNESS

100kg TRACK:
11mm LESS THAN
PANEL THICKNESS

4+0 PANEL OUTWARD OPENING SYSTEM - CLOSED
(SHOWN WITHOUT TRACK OR HEAD SECTION)



4+0 PANEL OUTWARD OPENING SYSTEM - OPEN
(SHOWN WITHOUT HEAD SECTION)



4+0 PANEL OUTWARD OPENING SYSTEM - CLOSED
(TYPICAL OUTSIDE ELEVATION)

