

[brio.com.au](http://brio.com.au)



**Brio**® where ideas unfold

## **Brio**® Timberoll 100/200

Exterior bottom roller sliding door hardware for panels up to 200kg

## Brio® where ideas unfold

Watch your adventurous architectural ideas unfold into exciting reality with the Brio range of sliding and folding door hardware.

Brio is passionate about shaping the spaces in which people live, work and play. With subsidiaries in the UK, and USA – Brio is recognised by architects worldwide as a leading design and manufacturing company.

Brio's R&D department brings a strong design element to the business, developing and testing ground breaking concepts that continue to be at the forefront of the industry.

So it's no surprise our name Brio translates to Energy, Spirit and Vitality – the core values that drive us to always discover new solutions for our customers.

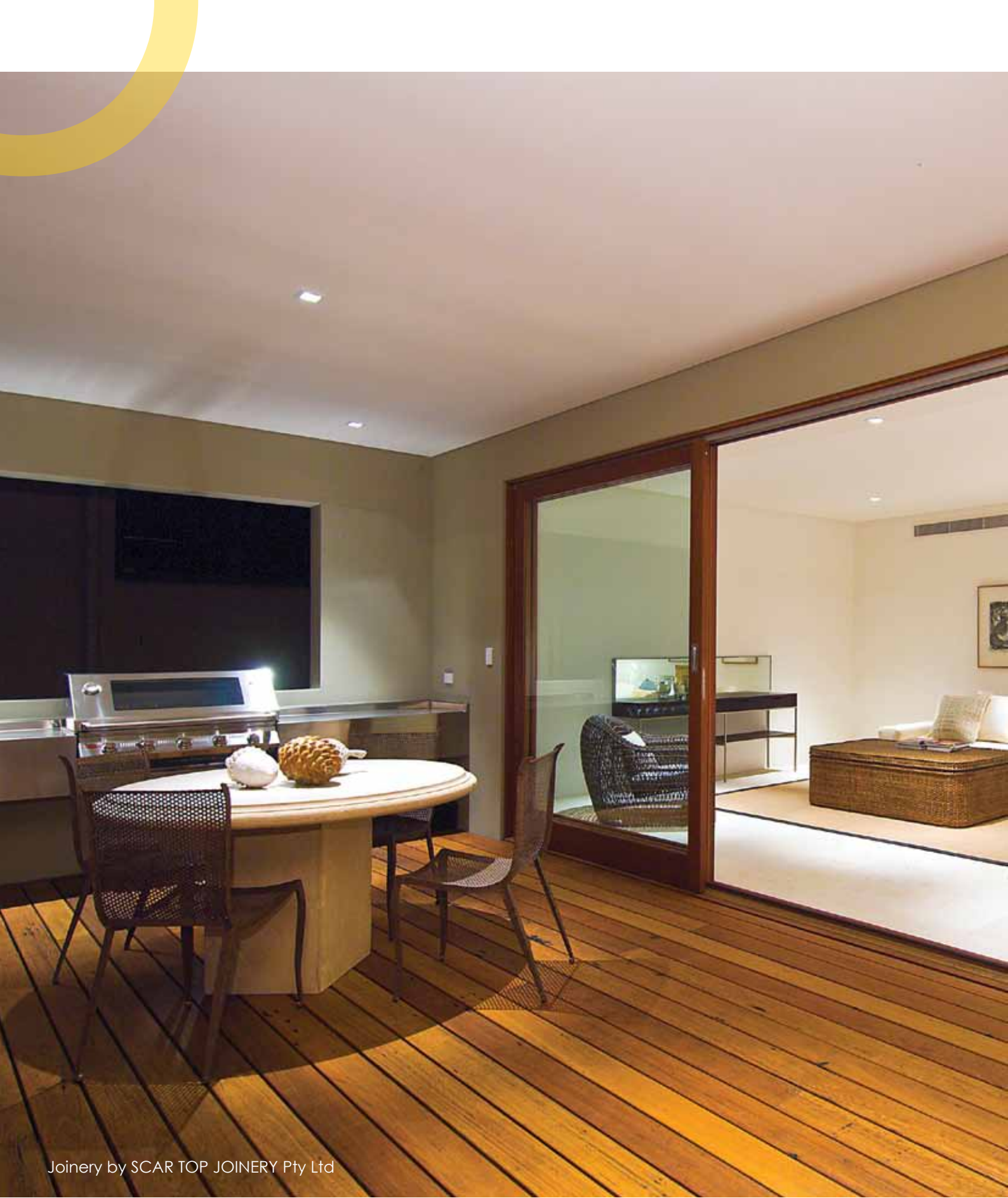
We are committed to the continuous improvement of quality. That is why Brio, located in Sydney, is certified to Quality Management System AS/NZ ISO 9001:2008.

Brio, part of the Allegion family of brands









Joinery by SCAR TOP JOINERY Pty Ltd

# Timberoll 100/200



## Timberoll 200

Exterior Bottom Roller Sliding Door  
Hardware for panels up to 200kg

Large timber framed sliding panels expand the possibilities of unimpeded passage or panoramic views whilst optimising space or greater indoor-outdoor flow. The bottom roller design is suited to such larger architectural features where the supporting structure or lintel is insufficient for the weight of the door panel or where headroom is limited.

### Application

Brio® Timberoll 200 is an external bottom rolling sliding window and door hardware system for maximum panel weights of up to 200 kilograms. Timberoll 200 is ideally suited for large patio doors with timber-framed glazed panels of up to 3.0 metres high and 3.0 metres wide. Timberoll 200 can be used in both residential and commercial applications where any number of doors can be used on single or multiple lines of rail that can slide to one or both sides of the opening.

### Adjustment

Brio® Timberoll 200 system slides on two self levelling double bogie rollers rebated into the base of each door panel. The full stainless steel construction of the 913DBA double bogie roller and precision stainless steel bearings offers superior rolling performance making Timberoll 200 ideal for coastal applications. The design features a side adjustment screw located at a convenient height to accommodate 23mm stops used on timber joinery for easy of access. The rollers are designed to run on the 914B Bronze and 918 Brass bottom rails.

### Guide options

Brio® offers a number of top guide options for securing the top of the door panel in place to suit a variety of environments and wind load conditions.

The architectural details section of this brochure showcases three solutions.

### Specifications

**Max door panel weight:** 200kg  
**Max door panel height:** 3000mm  
**Max door panel width:** 3000mm  
**Min door thickness:** 40mm  
**Application:** Exterior sliding doors





Joinery by SCAR TOP JOINERY Pty Ltd

# Timberoll 100/200





## Timberoll 100

Exterior Bottom Roller Sliding Door and Window Hardware for panels up to 100kg

### Application

Brio® Timberoll 100 has been specifically designed for lighter external sliding window and doors in mind with a maximum panel weight of up to 100 kilograms. Timberoll 100 is ideally suited for timber framed glazed sliding panels up to 2.4metre high and 1.8metres wide and can be used in both residential and light commercial applications.

At the heart of the Timberoll 100 system are two 913DBA-N self levelling double bogie rollers with reinforced Acetyl Nylon outer tyres and precision bearings for quiet, smooth operation. Each 913DBA-N roller has height adjustment of 6.5mm via a screw mechanism located at a convenient height to accommodate 23mm rebate stops used on timber joinery for ease of access.

The rollers are designed to run on the 914A Aluminium bottom rail and with a number of top guide options available. Timberoll 100 offers an economic quiet solution for sliding timber window and doors.

### Specifications

**Max door panel weight:** 100kg

**Max door panel height:** 2400mm

**Max door panel width:** 1800mm

**Min door thickness:** 40mm

**Application:** Exterior sliding windows and doors

### Security

Timberoll comes complete with a unique interlocking device that serves multiple purposes. The 924 Interlocker and fin seal provides a tight weather seal solution between the sliding and fixed panel. For multiple panel applications the 924 Interlocker acts to collect and close panels providing weather sealing between each panel. The interlocker also provides a level of security, once engaged the panels collected are unable to move away from their intended line of operation.

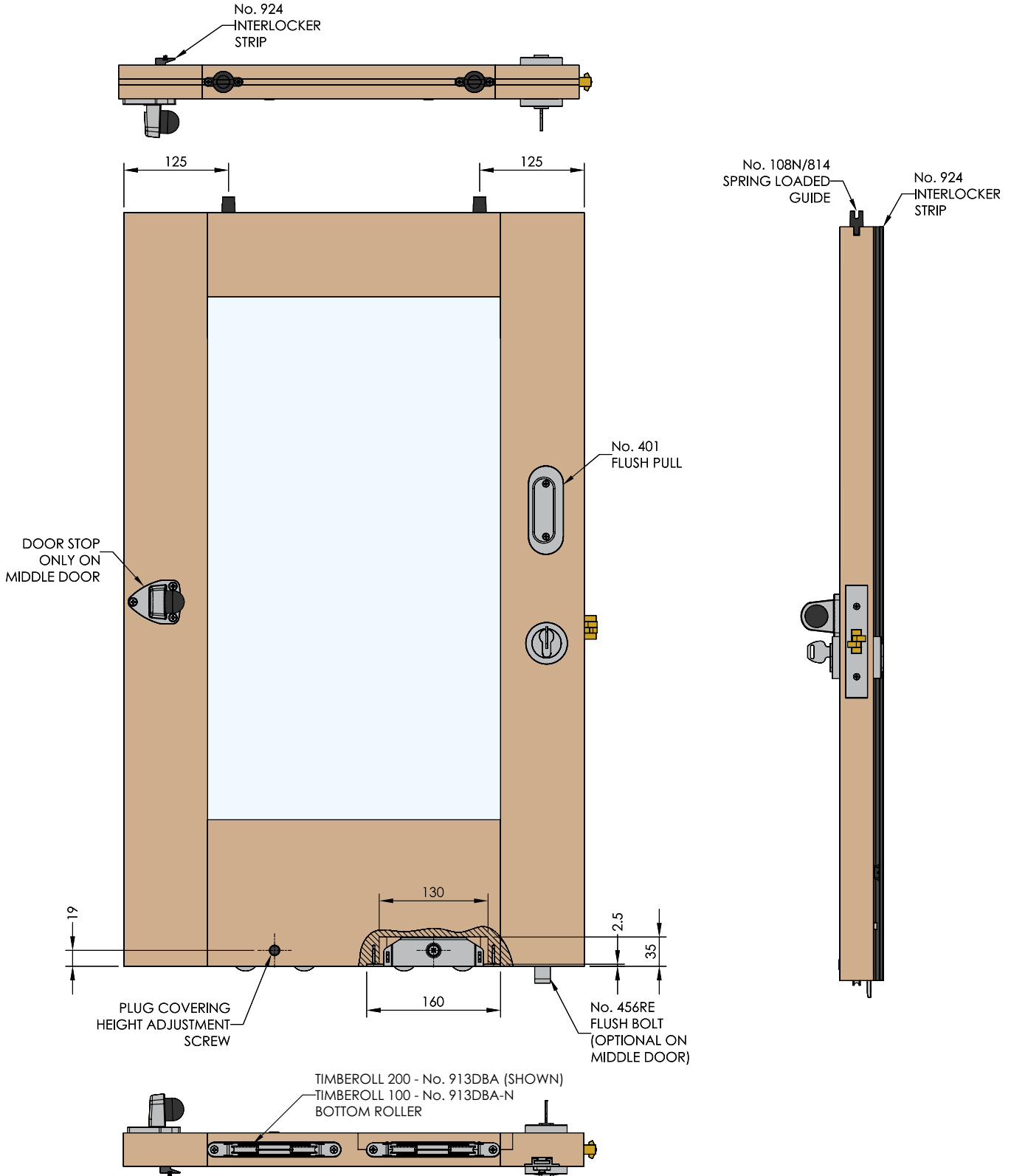
For multiple panel applications 456 flush bolts can be used to secure these panels.



# Architectural Details

## Hardware Layout

814 Rail with 108/814 Spring load guide

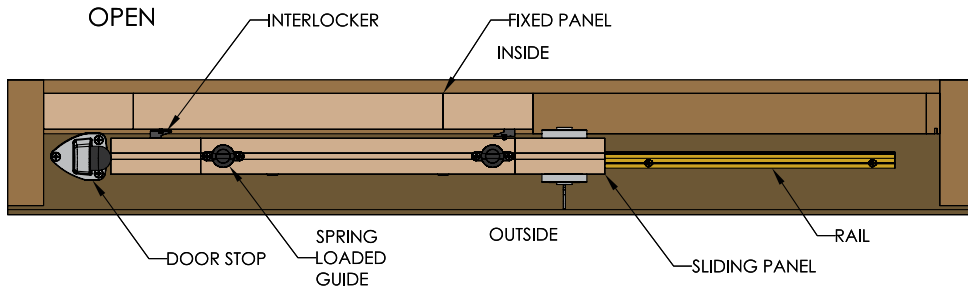




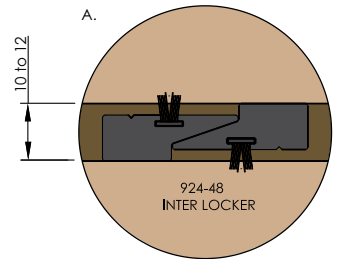
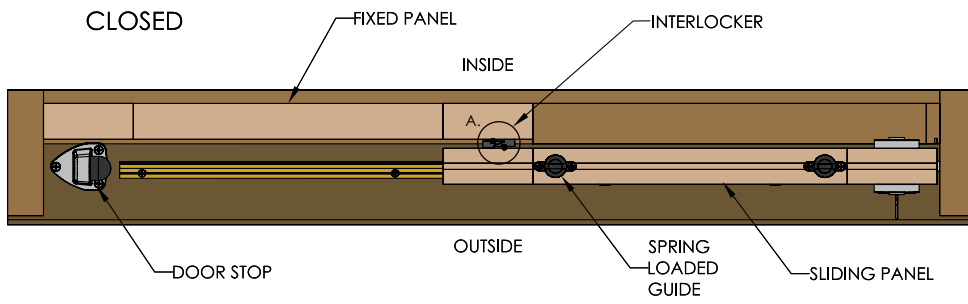
# Architectural Details

## Top View

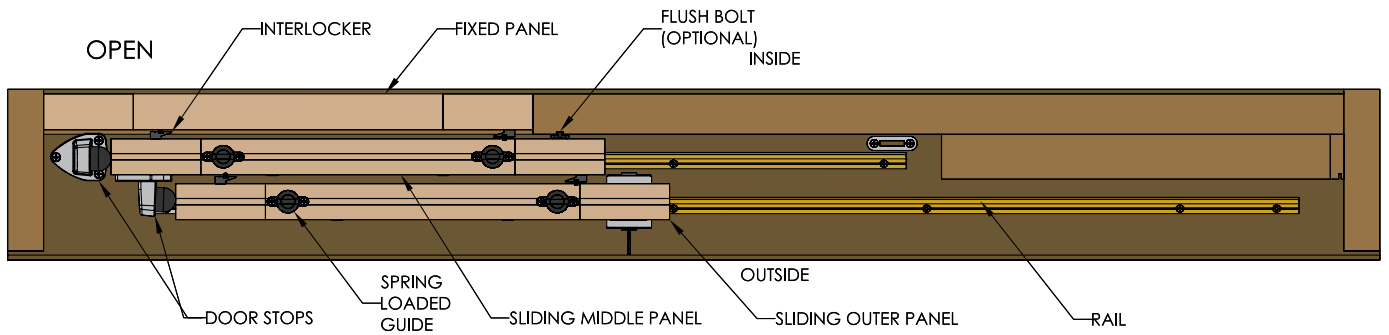
814 Rail with 108/814 Spring load guide



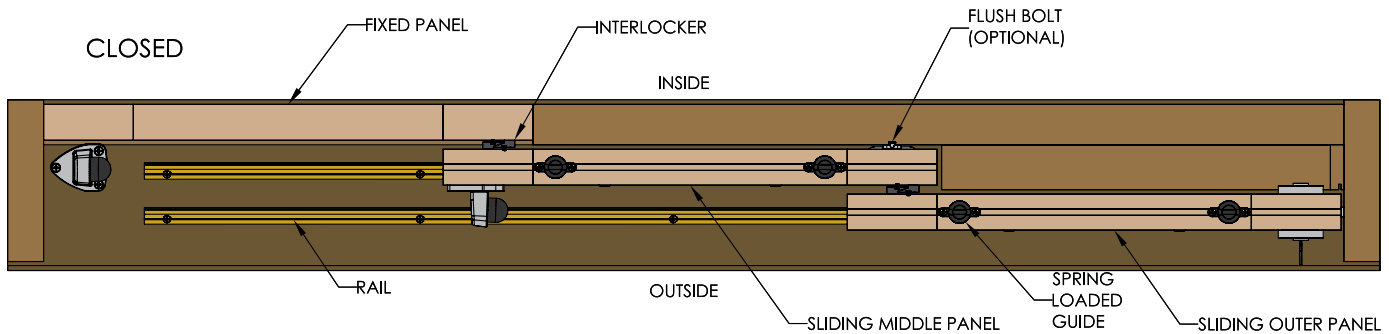
### ONE FIXED PANEL & ONE SLIDING PANEL



### ONE FIXED PANEL & TWO SLIDING PANELS



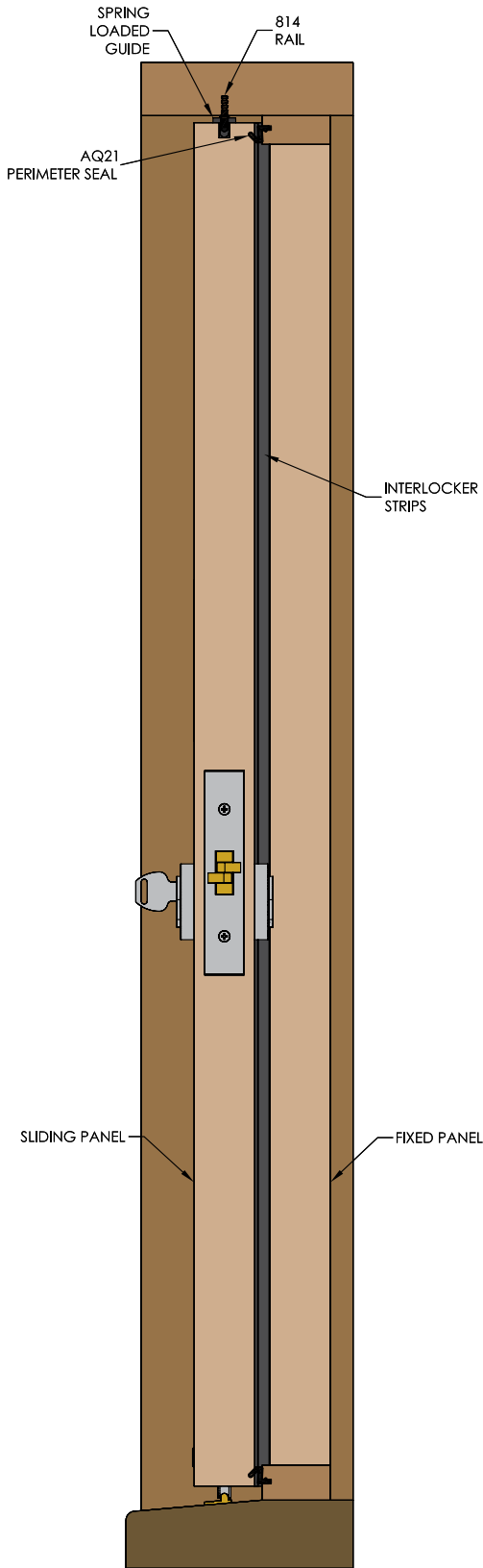
### ONE FIXED PANEL & TWO SLIDING PANELS



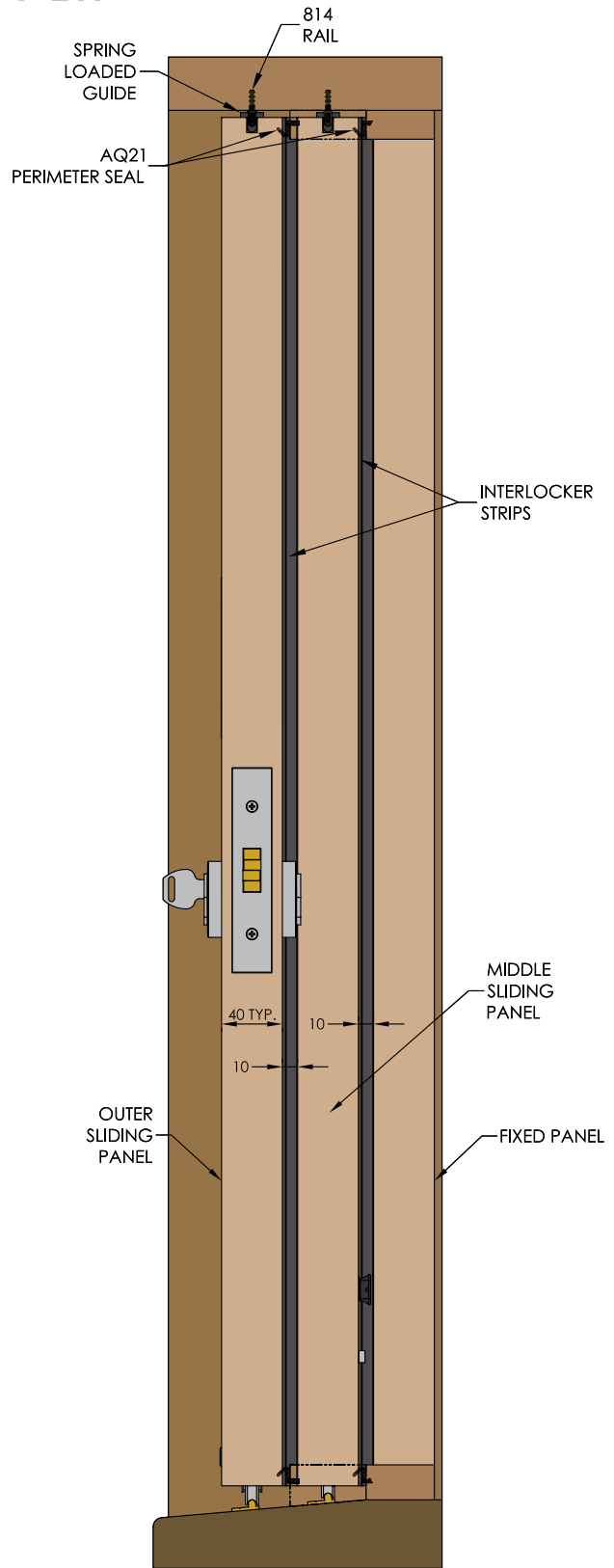
# Architectural Details

## End View

814 Rail with 108N/814 Spring load guides



**ONE FIXED PANEL & ONE SLIDING PANEL**

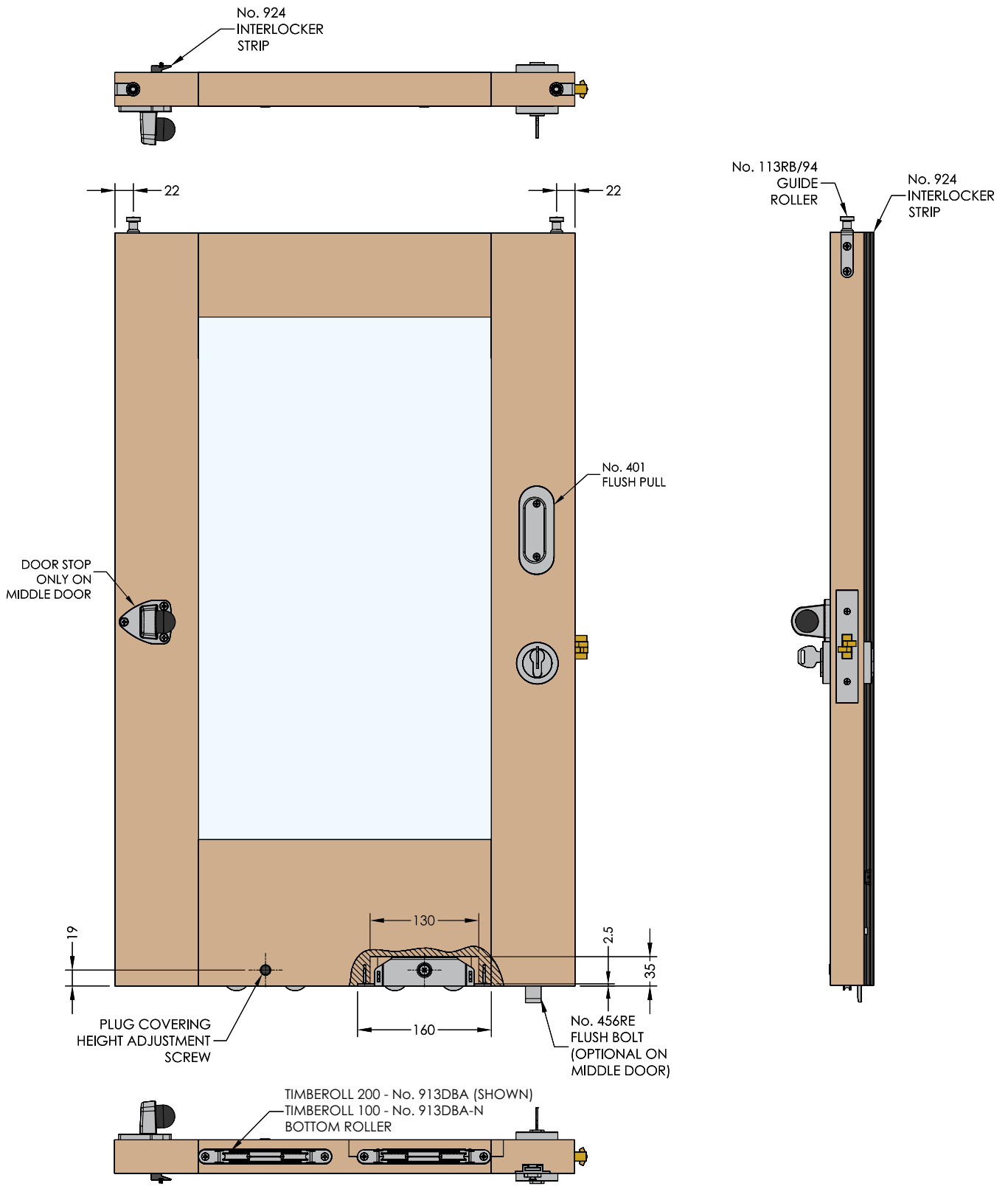


**ONE FIXED PANEL & TWO SLIDING PANELS**

# Architectural Details

## Hardware Layout

94PPA Inverted channel with 113RB/94 guides



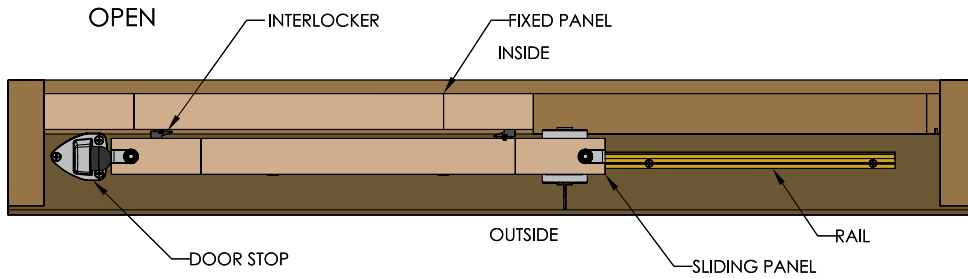


# Architectural Details

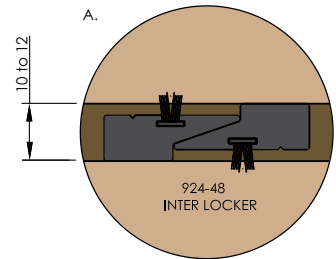
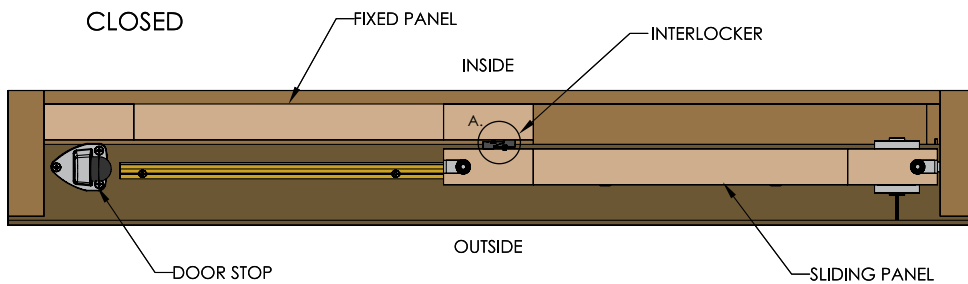
## Top View

94PPA Inverted channel with 113RB/94 guides

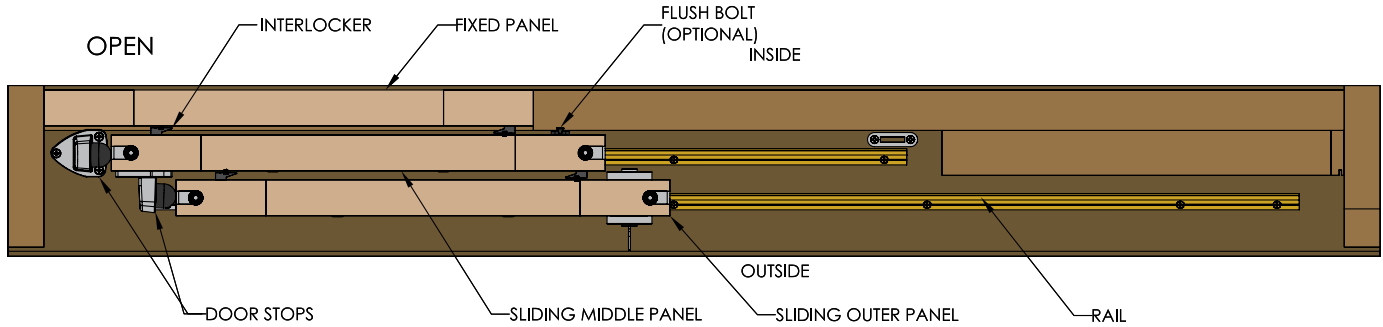
### ONE FIXED PANEL & ONE SLIDING PANEL



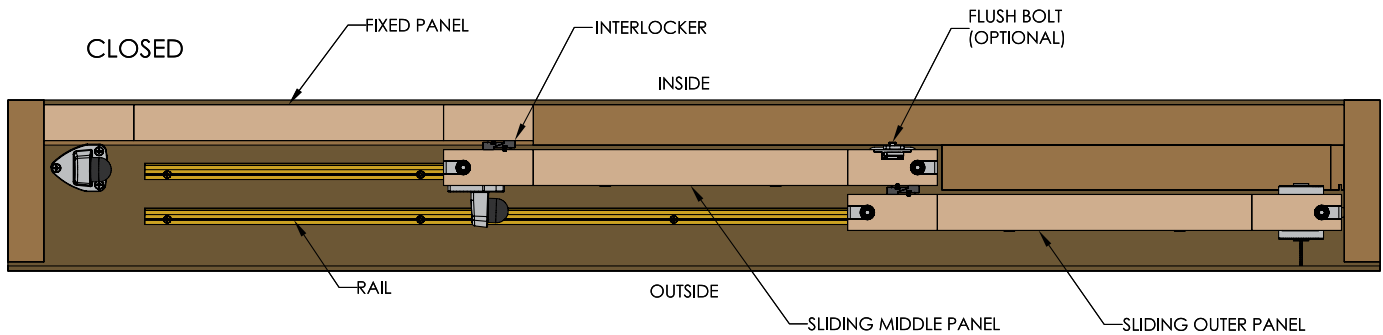
### ONE FIXED PANEL & ONE SLIDING PANEL



### ONE FIXED PANEL & TWO SLIDING PANELS



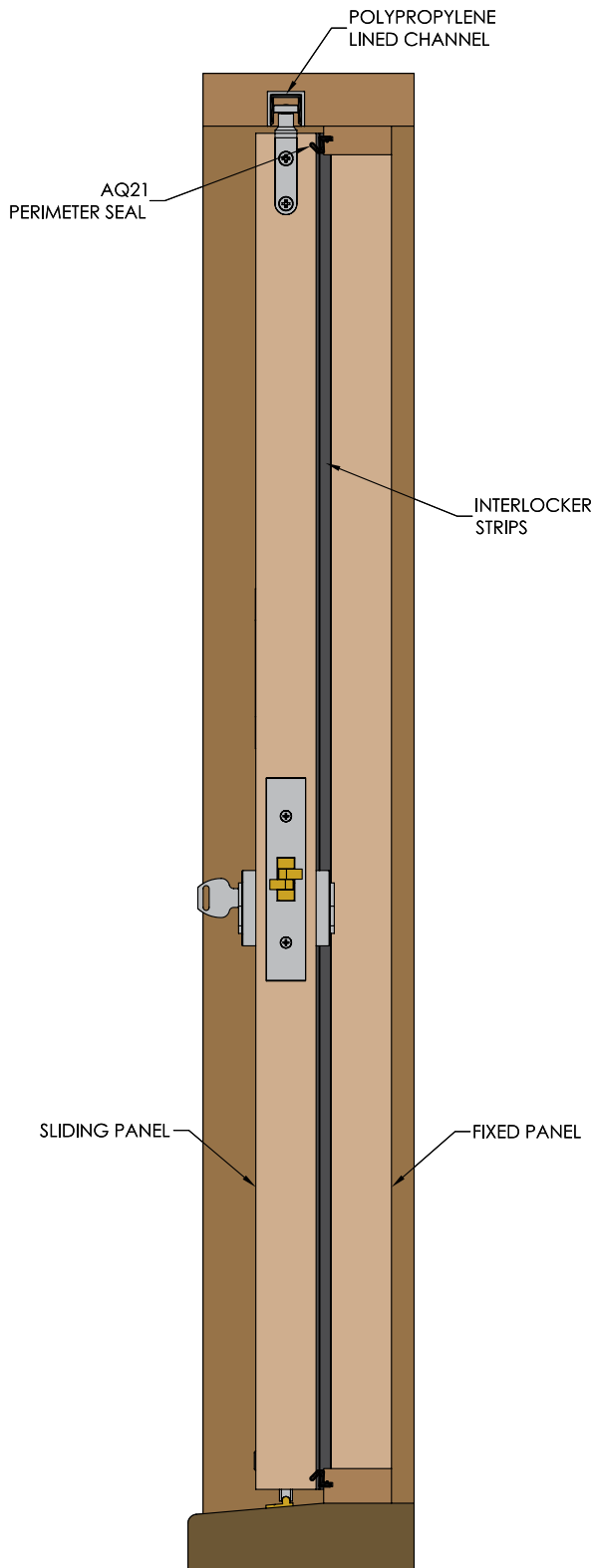
### ONE FIXED PANEL & TWO SLIDING PANELS



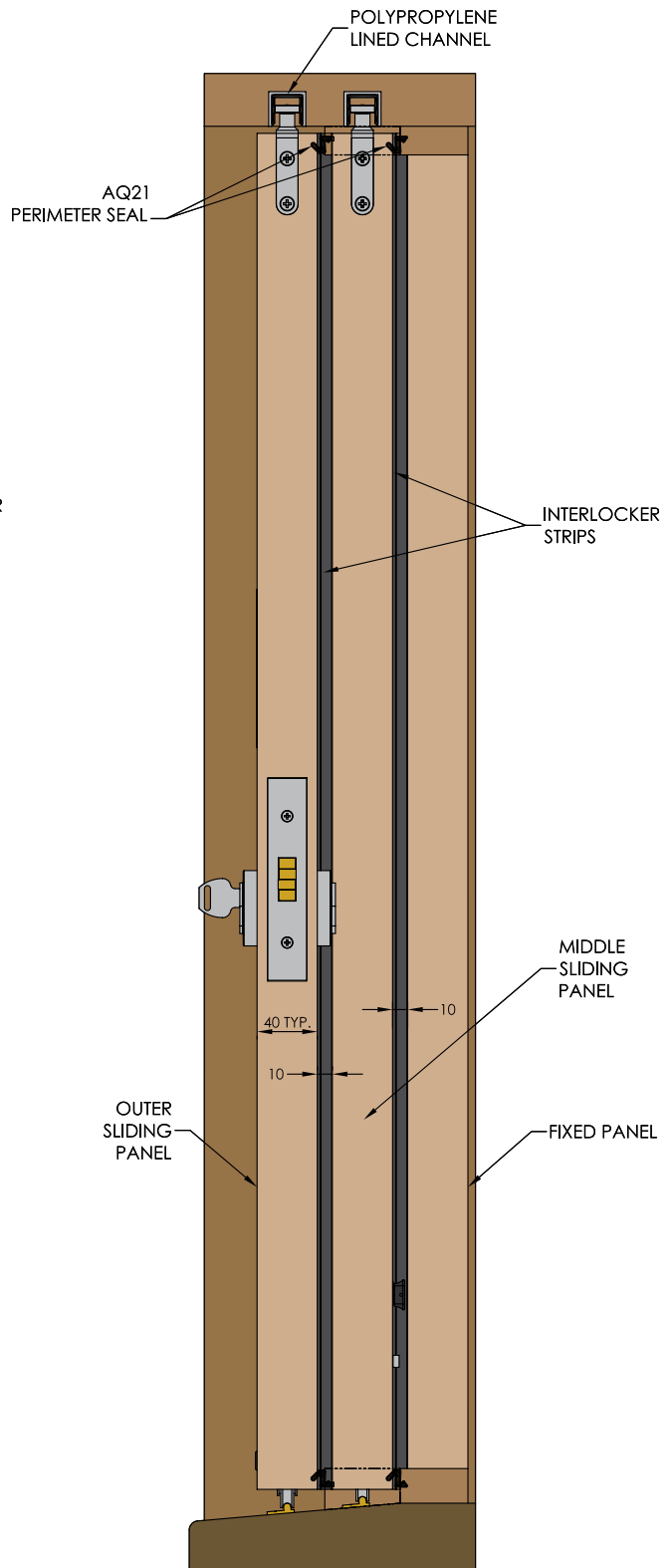
# Architectural Details

## End View

94PPA Inverted channel with 113RB/94 guides



ONE FIXED PANEL & ONE SLIDING PANEL

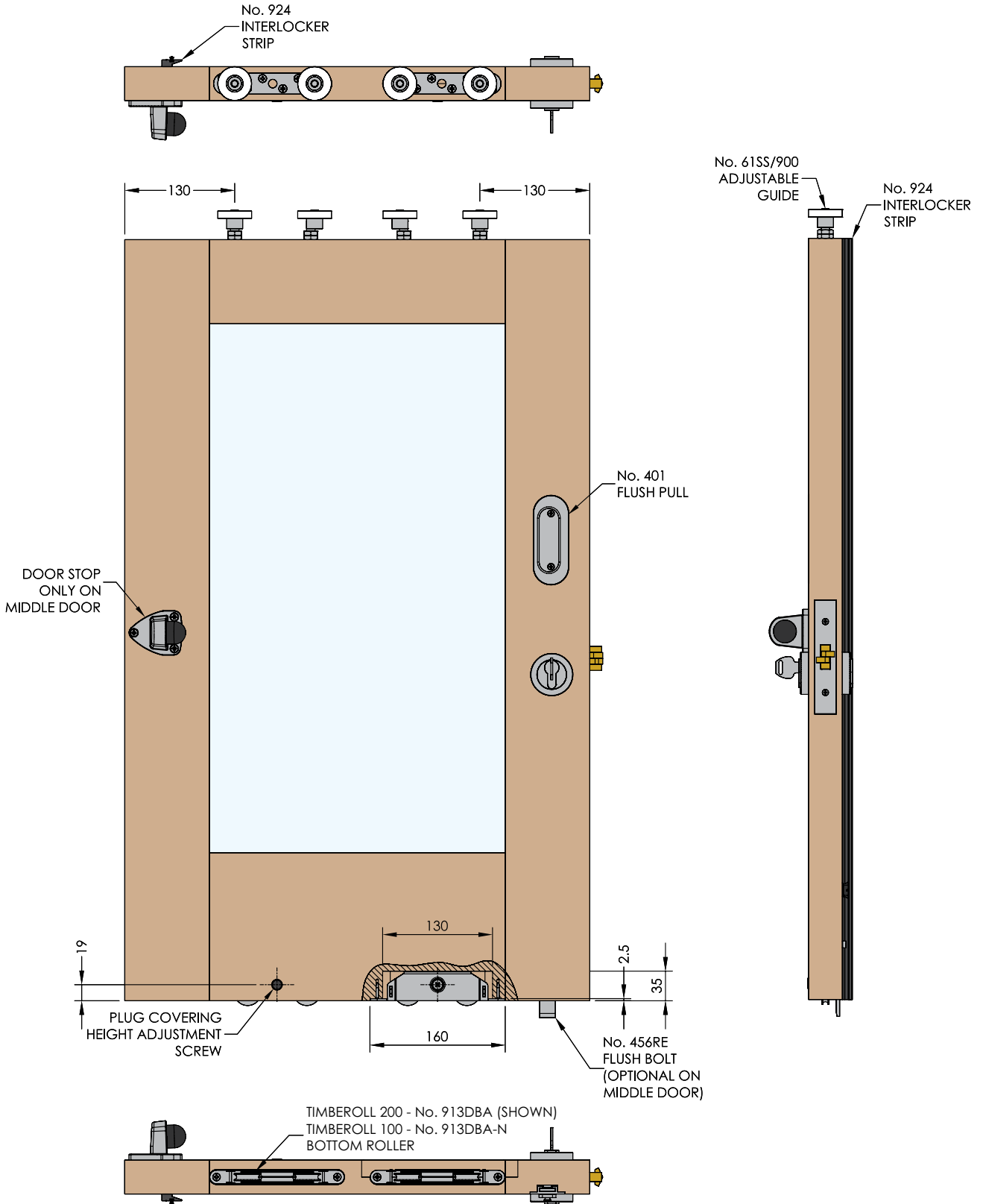


ONE FIXED PANEL & TWO SLIDING PANELS

# Architectural Details

## Hardware Layout

900 Top Guide Channel with 61SS/900 guides

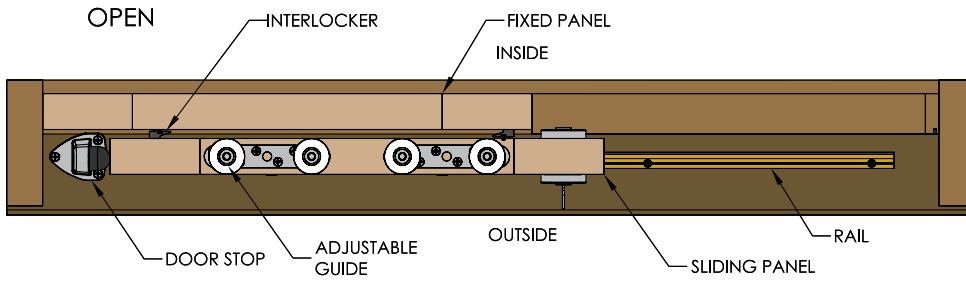




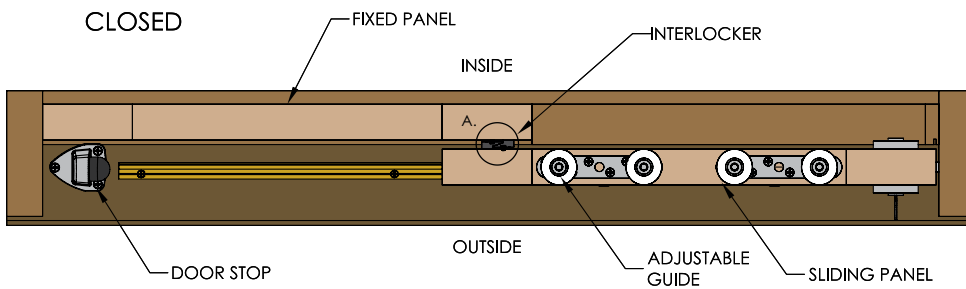
# Architectural Details

## Top View

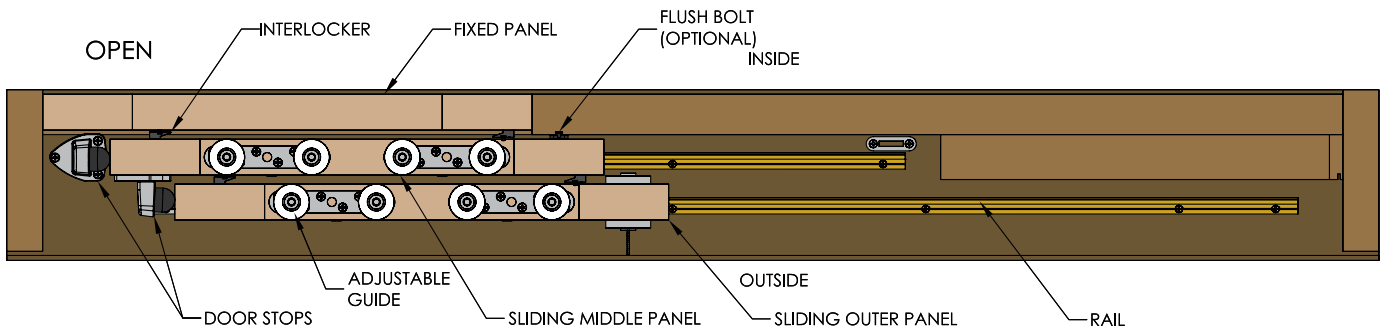
900 Top Guide Channel with 61SS/900 guides



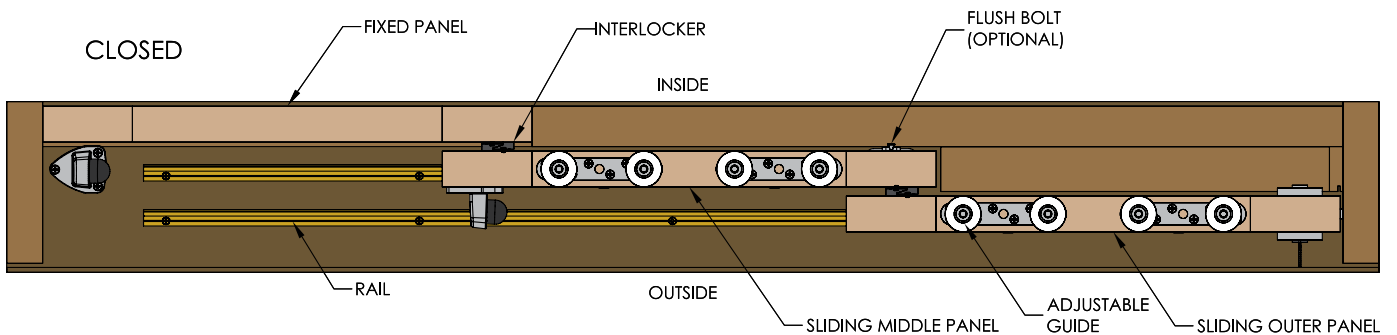
### ONE FIXED PANEL & ONE SLIDING PANEL



### ONE FIXED PANEL & TWO SLIDING PANELS



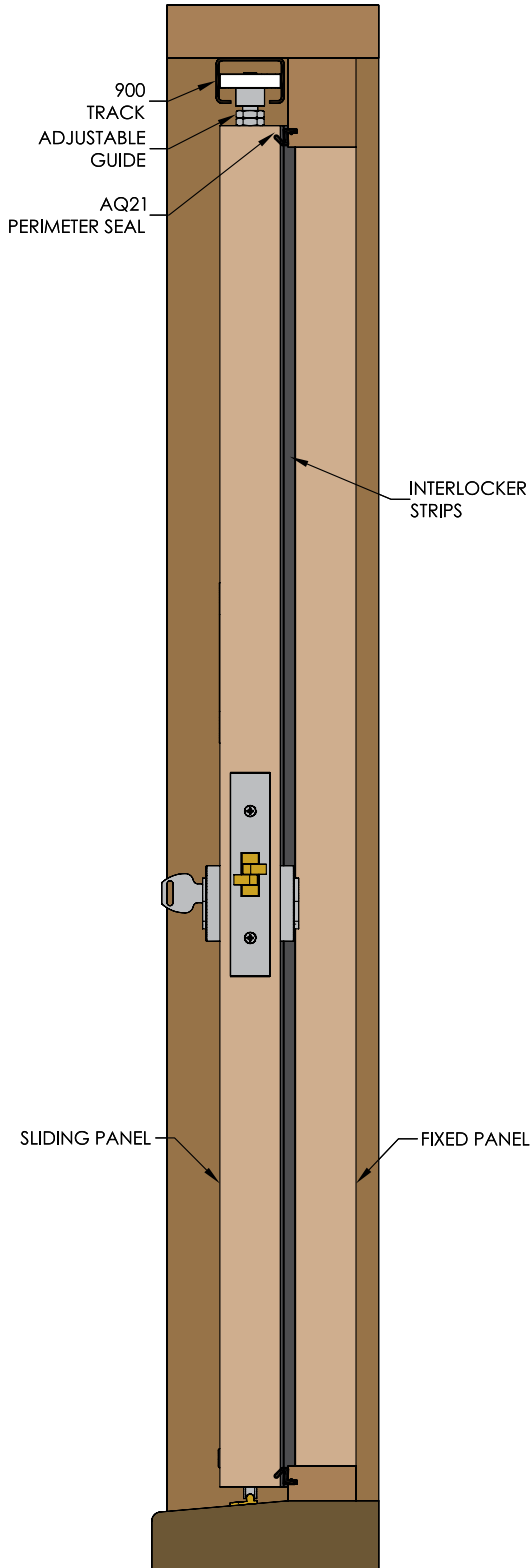
### ONE FIXED PANEL & TWO SLIDING PANELS



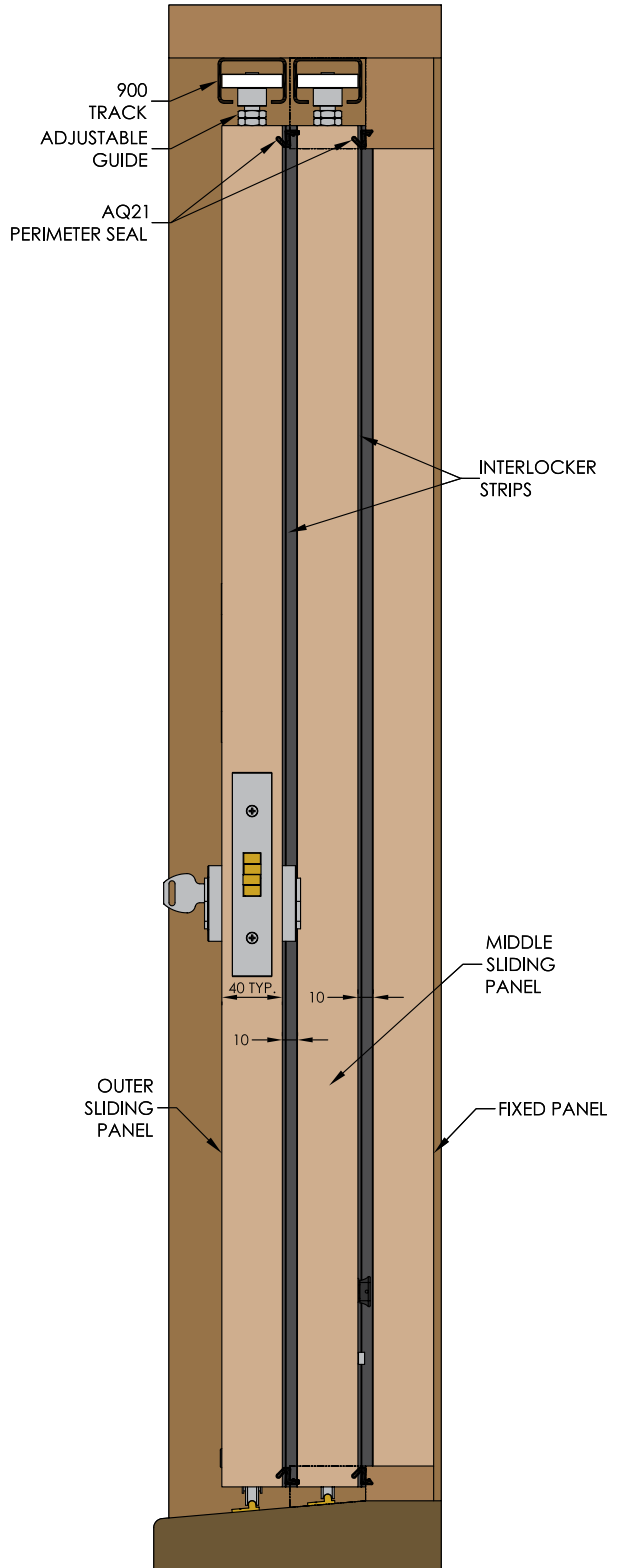
# Architectural Details

## End View

900 Top Guide Channel with 61SS/900 guides



ONE FIXED PANEL & ONE SLIDING PANEL

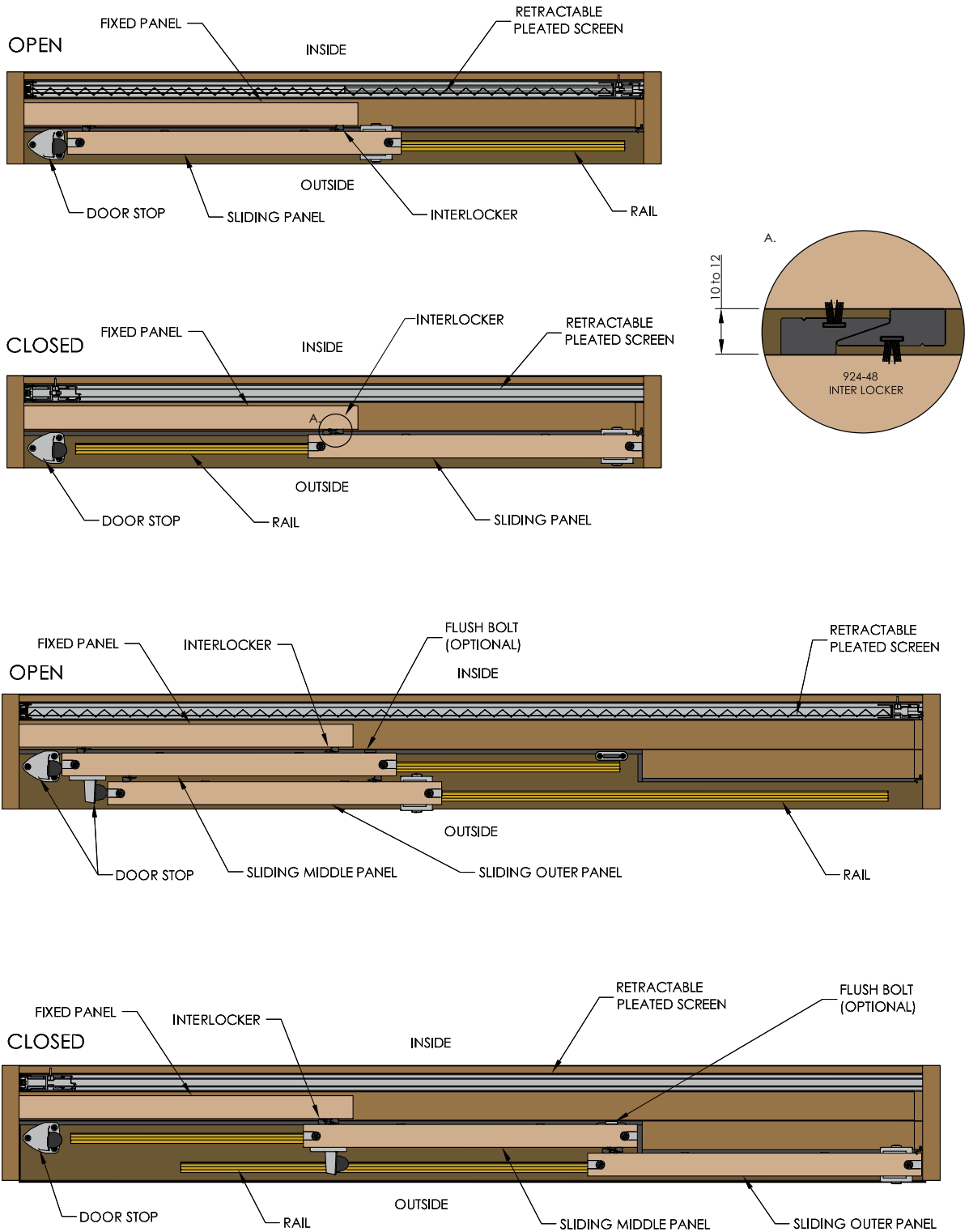


ONE FIXED PANEL & TWO SLIDING PANELS

# Architectural Details

## Top View

Brio® 612 Retractable Pleated Screen fitted across the opening

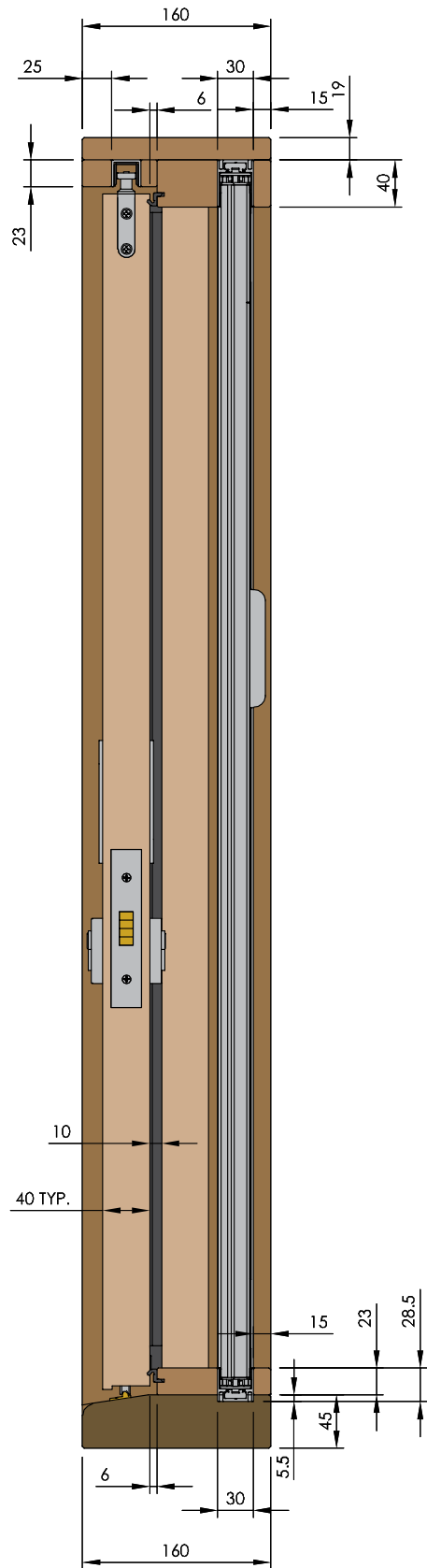
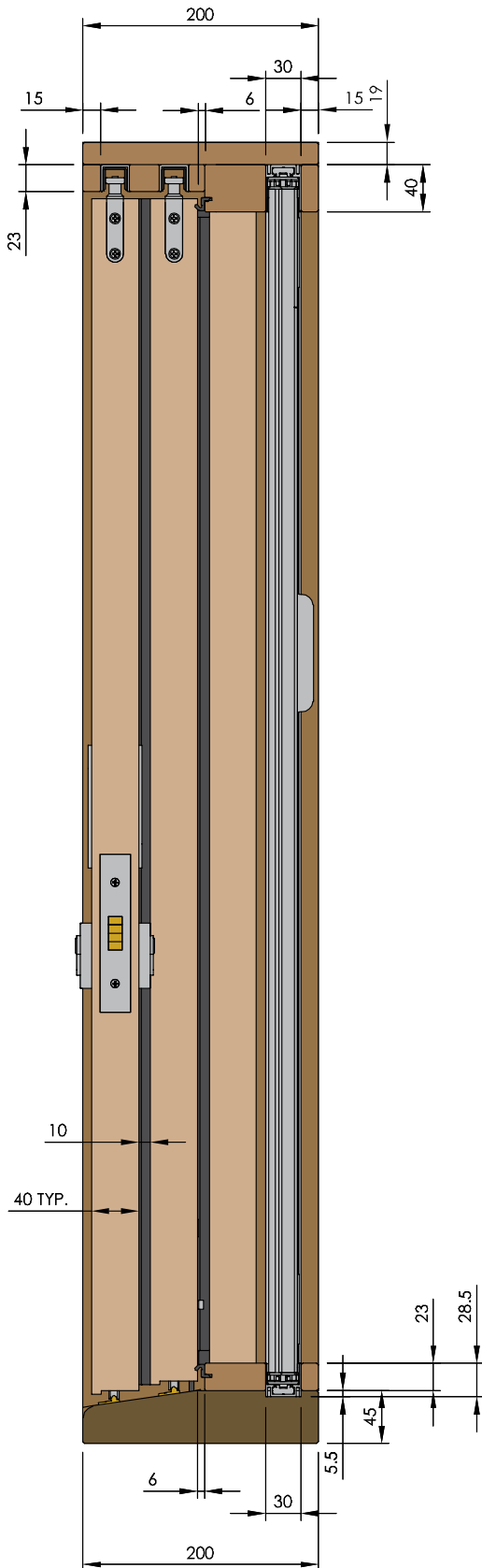




# Architectural Details

## End View

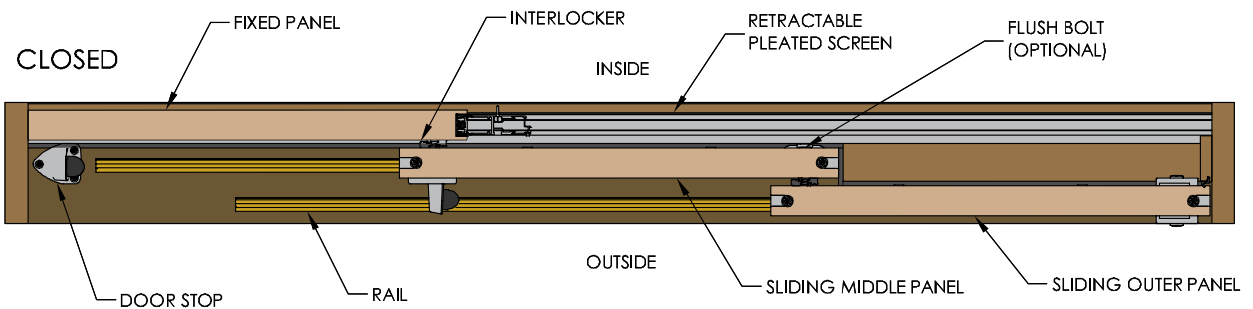
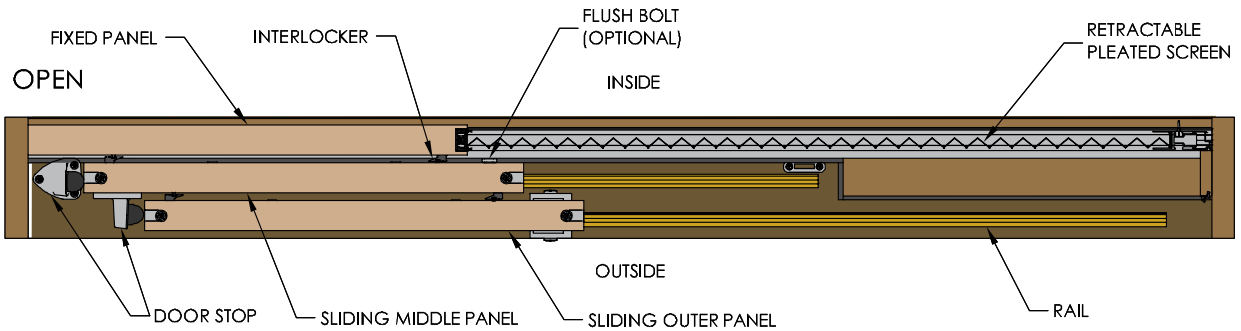
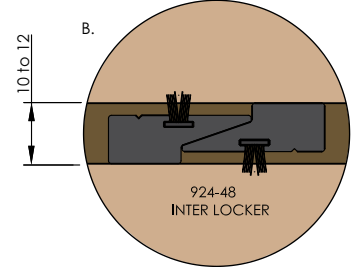
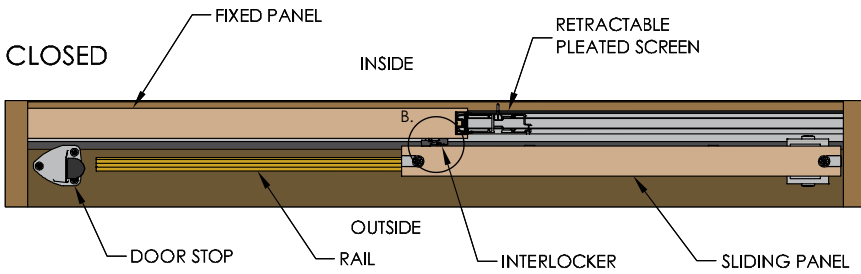
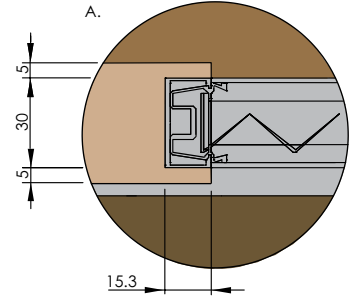
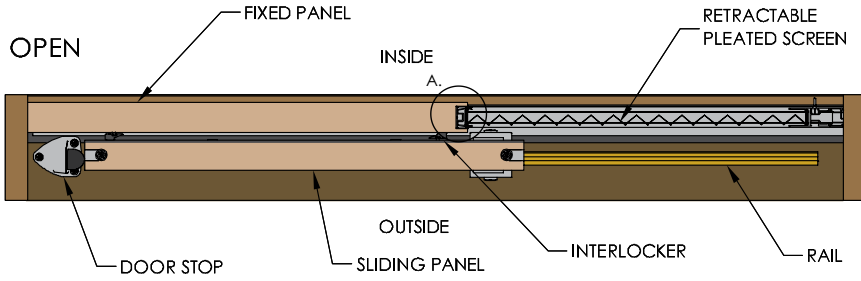
Brio® 612 Retractable Pleated Screen fitted across the opening



# Architectural Details

## Top View

Brio® 612 Retractable Pleated Screen rebated into fixed panel

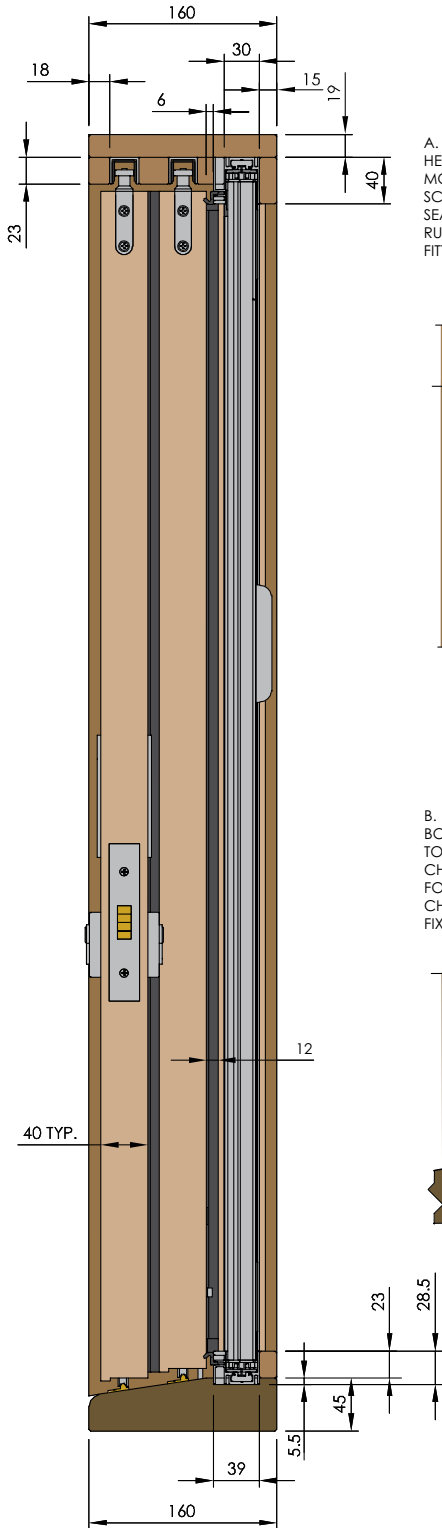


# Architectural Details

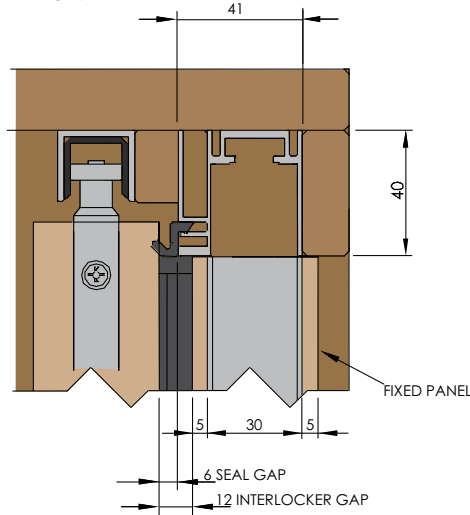
## End View

Brio® 612 Retractable Pleated Screen rebated into fixed panel

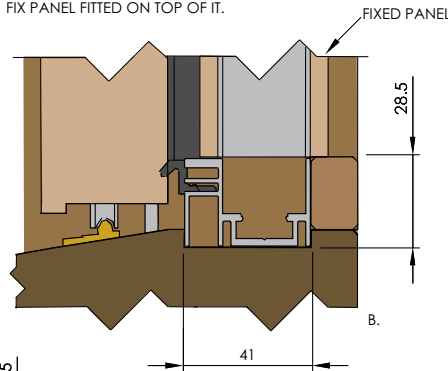
TWO SLIDING DOORS AND ONE FIXED PANEL  
SCREEN REBATED INTO FIXED PANEL



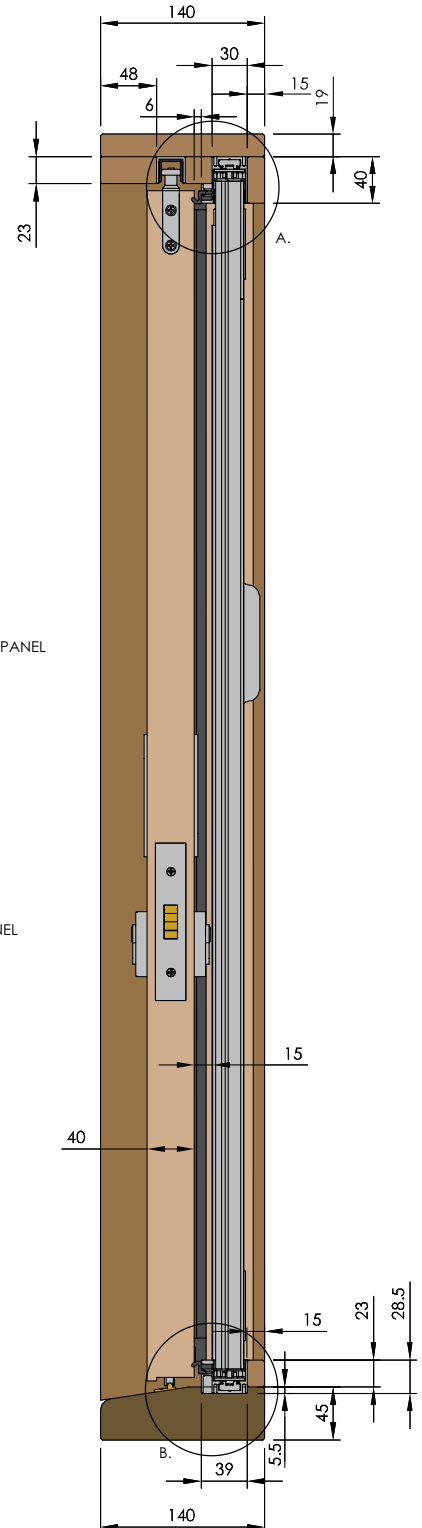
A.  
HEAD DETAIL FOR SCREENS UP TO 2.6M HIGH MOUNTED TO FIXED PANEL USING RSTS TOP SCREEN GUIDE TRACK WITH BUILT IN REBATE AND SEAL GROOVE FOR AQ21 FRAME SEAL. RSTS TRACK RUNS ACROSS THE OPENING WITH THE FIXED PANEL FITTED TO IT.



B.  
BOTTOM SILL DETAIL FOR INSECT SCREENS MOUNTED TO FIXED PANEL USING RSCS BOTTOM SCREEN CHANNEL WITH BUILT IN REBATE AND SEAL GROOVE FOR AQ21 FRAME SEAL. RSCS BOTTOM SCREEN CHANNEL RUNS ACROSS THE OPENING WITH THE FIXED PANEL FITTED ON TOP OF IT.



ONE SLIDING DOOR AND ONE FIXED PANEL  
SCREEN REBATED INTO FIXED PANEL

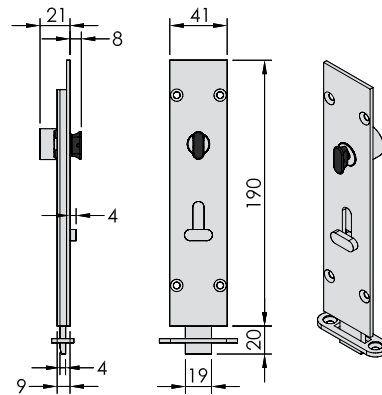
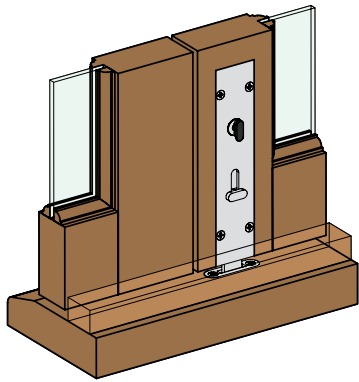




# Architectural Details

## 456 and 456E Flush Bolts

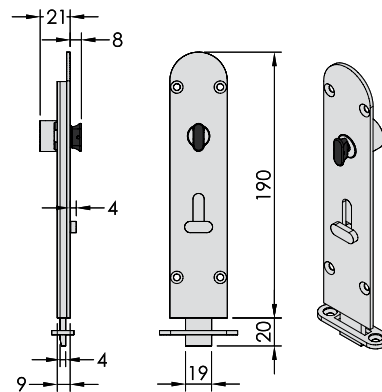
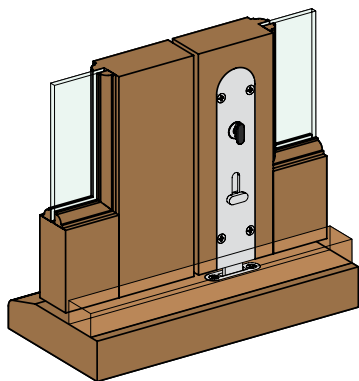
Locking Solutions for Straight Sliding Doors



# Architectural Details

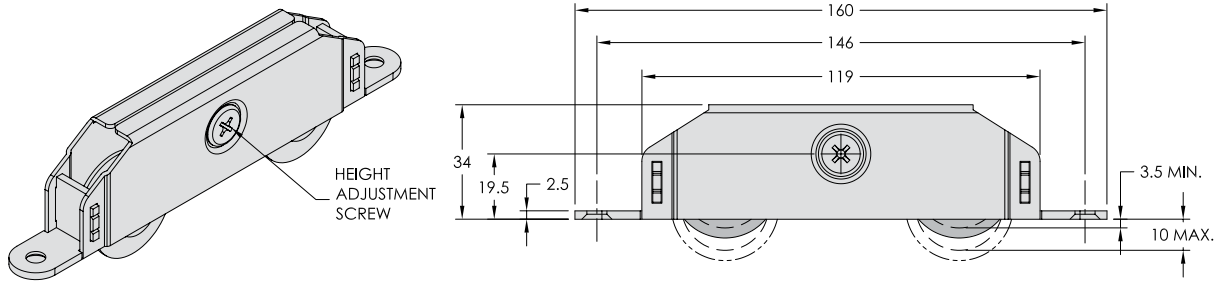
## 456R and 456RE Flush Bolts

Locking Solutions for Straight Sliding Doors

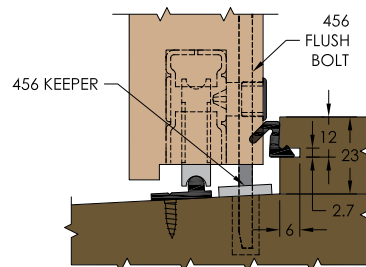
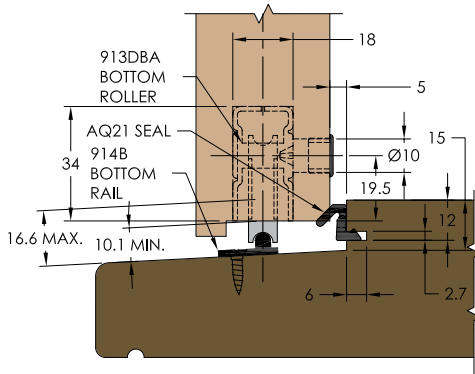


# Architectural Details

## 913 DBA Bottom Roller



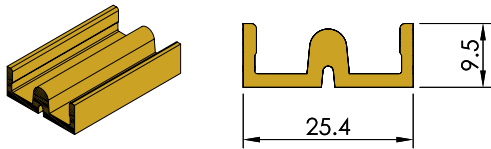
## Installation Details



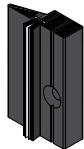
456 Flush bolt detail optional on middle door of one fixed panel and two sliding panels.

## Accessories

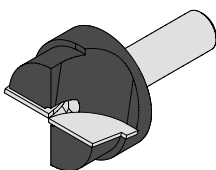
Alternative Bottom Rail - 918 Brass



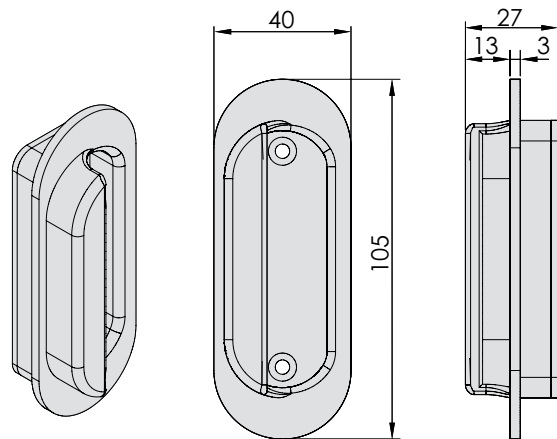
924 Interlocker



401R Router



401D Flush Pull with Raised Finger Grip



# Timberoll 100/200

## Specifications

Door Specification	Timberoll 100	Timberoll 200
Max panel weight	100kg	200kg
Max panel height	2400mm	3000mm
Max panel width	1800mm	3000mm
Min door thickness	40mm	40mm
<b>Hardware Specification</b>		
<b>Top Guide Channel:</b>		
900A	Recommended for heavy duty applications	
94PPA	Inverted recommended for medium duty applications.	
96TA	Recommended for light duty applications. Not recommended in situations where the door is likely to warp since the door could bind on the tee.	
Material	Aluminium 25 microns clear anodised.	
Standard Lengths	2000mm, 3000mm, 4000mm and 6000mm.	
<b>Top Guides (2 per Door)</b>		
61SS/900	Stainless steel angle plate fitting with double nylon rollers one adjustable laterally to prevent rattle.	
113RB/94	Cast 316 stainless steel corner bracket with precision stainless steel bearing.	
106RB/94	Cast 316 stainless steel bracket with precision stainless steel bearing.	
<b>Bottom Roller</b>		
913DBA		Full stainless steel construction, precision stainless bearings & tyres
913DBA-N	Plated steel construction, precision bearings nylon tyres	
<b>Interlocker &amp; Seal</b>		
924	The 924 Interlocker is available in 4.8mm lengths, comes with fin seal, drilled and countersunk. Aluminium 25 microns in Black, Clear and Bronze anodised.	
<b>Bottom Rail</b>		
914A	Aluminium rail, available in 2000mm, 3000mm, 4000mm and 6000mm lengths.	
914B	Bronze rail designed to allow room for flush bolt keepers, available in 2000mm, 3000mm, 4000mm and 6000mm drilled and countersunk.	
918	Brass rail designed to be recessed into the timber sill available in 2000mm, 3000mm, 4000mm and 6000mm drilled and countersunk.	
<b>Security</b>		
456 Flush bolts	Locking, non-locking, square top and round top flush bolts are available for multipanel applications. Available in SN, PVDB and PN.	

<b>Accessories</b>	
401	Flush Pulls, cast stainless construction available in SS, PVDB and PS. 401 plunge router also available.
401D	Flush Pulls with raised finger pull, cast stainless construction available in SS, PVDB and PS. 401 plunge router also available.

<b>Warranty</b>	10 Years
-----------------	----------



# Brio®

Brio – Australia

PO Box 604, Chester Hill, 2162  
C5 - C7, Regents Park Estate, 391 Park Road,  
Regents Park, NSW 2143, Australia  
Phone +61 2 8718 6718 Fax +61 2 8718 6719  
[www.brio.com.au](http://www.brio.com.au)  
email: [brío.sales@allegion.com](mailto:brío.sales@allegion.com)

Brio – UK

Unit 30 Gateway West, Kingfisher Boulevard, Newburn Riverside,  
Newcastle Upon Tyne, NE15 8NZ, United Kingdom  
Phone +44 (0) 191 2291224 Fax +44 (0) 191 2677891  
[www.briouk.com](http://www.briouk.com)  
email: [brío.sales.uk@allegion.com](mailto:brío.sales.uk@allegion.com)

Brio – USA

85 Mushroom Blvd  
Rochester, NY 14623-3201  
Toll Free +1 855 586 6251 Phone +1 585 319 5599 Fax +1 585 319 5741  
[www.briousa.com](http://www.briousa.com)  
email: [brío.sales.usa@allegion.com](mailto:brío.sales.usa@allegion.com)

## About Allegion

Allegion (NYSE: ALLE) is a global pioneer in the field of safety and security. We keep people and their property safe, wherever they are, bringing together simple solutions and advanced technology. Allegion is a \$2 billion company, with products sold in almost 130 countries. For more, visit [www.brio.com.au](http://www.brio.com.au)



**ALLEGION™**

Brio ■ <FSH> ■ LCN ■ LEGGE ■ SCHLAGE

© 2013 Allegion  
[allegion.com](http://allegion.com)